



[www.airkraft.com.tr](http://www.airkraft.com.tr)

# AIRKRAFT

## AIR SPRINGS



**YOUR  
OPPORTUNITY  
STARTS  
RIGHT HERE**

**2023**



**AIRKRAFT**  
**AIR SPRINGS**

# About Us

Since its establishment in 2000, by developing itself, Aircraft has grown continually and become one of the most reliable brands of the heavy duty parts sector.

Aircraft is a well-known and well respected air suspension brand, with approximately 80% of products exported worldwide. Today, Aircraft brand air springs can be found in more than 80 countries worldwide.

The brand stands for closeness to its customers, constant innovation, on time deliveries, competitive pricing strategy and stability. Comprehensive product range satisfies the stringent requirements of its customers.

The quality and management system is certified to ISO 9001: 2015 and IATF 16949:2016.

Believing in 'investment will improve organizational abilities, raw material security and maneuverability'

Choice of both OE companies and reputable aftermarket shelves, Aircraft pursues long term and sustainable goals. It strives for market leadership with its quality products and focuses on continuous growth with its modern production facility.

Our convoluted and sleeve type air springs have strict design specifications of which our R&D department ensures quick execution of processes at very high quality.

Aircraft Air Springs are precisely engineered, designed, tested and manufactured according to strict parameters to provide reliable and cost-effective use in a wide variety of applications. Most common applications are in vehicle suspensions, but air springs can also be used to keep vibrating/rotating machinery from affecting other components.

Aircraft offers a variety of air spring types to meet your actuation or isolation needs. Our product range covers;

- Convoluted air springs providing superior performance in lifting applications and vibration absorption applications
- Sleeve type air springs are widely used as the major component in cabin suspension and driver seat suspension.



AIRCRAFT FACTORY IN GÖRÜKLE / BURSA



AIRCRAFT FACTORY IN NOSAB / BURSA

# Convolved Air Springs

Classified as single, double and triple; convoluted air springs increasingly replace pneumatic cylinders in the world industry. With higher course length, compactness, ease of usage and low maintenance costs, convoluted air springs offer the performance in lifting, compression, suspension and eliminating vibration both under vehicles and machines.

All convoluted air springs are available in a wide range of sizes, with the end retainer style required for your installation. Although the two-ply air spring is standard, many of our air springs are also available in four ply construction for use at higher pressures.

As well as aftermarket customers, Aircraft proudly provides high quality convoluted air springs to local OEM brands since year 2000.

The main technical characteristics of each rubber bellows are indicated in order to identify easily and quickly the best product to meet your specific requirements.



# Sleeve Type Air Springs

Sleeve type air springs are typically used for truck & tractor cabin suspension, suspension of passenger vehicles and driver's seat suspension. These air springs can be used, depending on space availability, directly as an add-on to the vibration shock absorber or alternatively installed in parallel arrangement to it.

Please check page 101 for details about our sleeve type air spring range for cabin, passenger cars, light commercial vehicles and driver's seat suspension.



## Sleeve Type Cabin Air Springs

Used in the truck and tractors' cabin as four point suspension, cabin air springs provide much more comfort in comparison to its precedes, steel springs. Combining traditional shock absorbers with air springs instead of coil springs, this hybrid solution to suspension significantly eliminates vibration.

Since 2000, Aircraft supplies cabin air springs and sole sleeves not only to the aftermarket but also to worldwide leading shock absorber manufacturers.



## Sleeve Type Driver's Seat Air Springs

Driver's seat air springs provide a new breed of seat suspension, lowering fatigue and health risks frequently faced by drivers. Eliminates the vibration for the most important part of the truck, THE DRIVER, and keeps the seat at an adjustable height at all times.

Besides supplying the aftermarket, Aircraft also supplies leading global seat manufacturers.

# Systematic Management

Usage of high quality rubber, cord fabric and materials combined with our deep know how in producing air springs, our experienced team, state of the art machinery and modern testing facilities ensure the continuous development and improvement of all product lines and confirm the innovative force of Aircraft. We are committed to continuous improvement and have established a Quality Management System which provides a framework for measuring and improving our performance. Our quality management system meets the high standards of ISO 9001:2015 and IATF 16949:2016.



# A Culture Where Quality Comes First

Aircraft has always been customer driven and quality focused brand. At Aircraft, we foster a culture where quality objectives are given first priority throughout our organization. This has made our company a world-class manufacturer and well known brand for convoluted and sleeve type air springs. We strive to provide our customers with products and services which meet and even exceed their expectations.

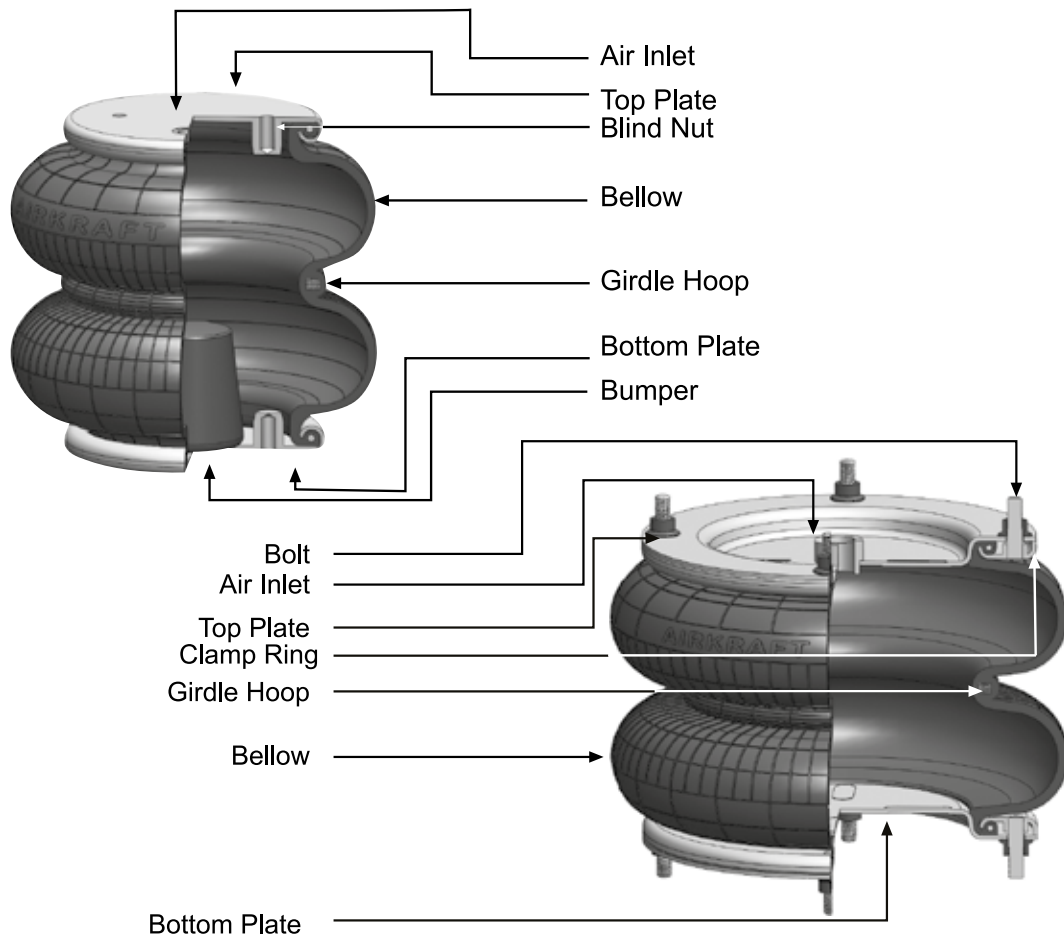


# CONVOLUTED AIR SPRINGS



# AIRKRAFT

## CONVOLUTED AIR SPRINGS COMPONENTS



Clamp Ring	HARDWARE KEY - SYMBOLS		

All data in this catalogue are informational. A.I.R. Süspansiyon does not warrant the correctness or the completeness of these information and has the right to apply changes when necessary, without notice. A.I.R. Süspansiyon 2022 All rights reserved



# AIRKRAFT

## PRODUCT ID AND TRACEABILITY

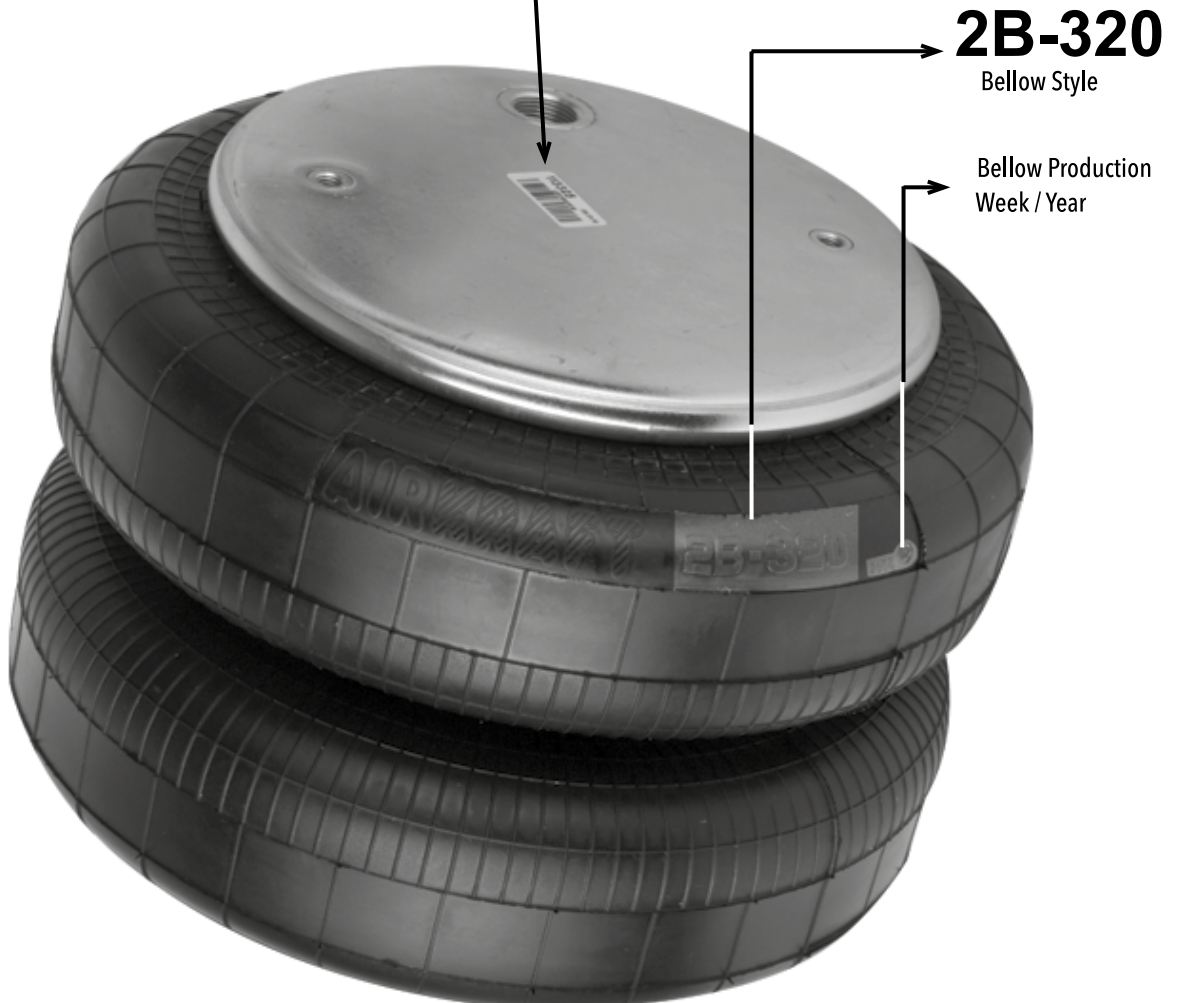
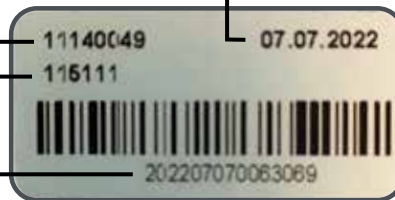
### BARCODE

Barcoding system provides AIRKRAFT products a maximum traceability down to the raw material. Via the barcode number on the label, it is possible to answer all questions regarding the product, until the final customer.

Production Assembly Date

Order No  
Old Reference

Barcode Tracking Number



**2B-320**  
Bellow Style

Bellow Production  
Week / Year

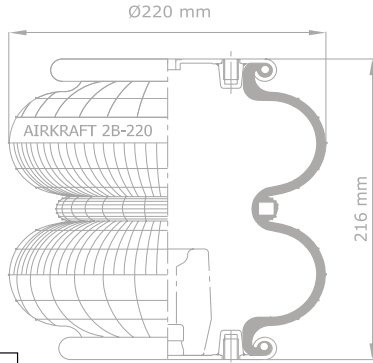


Style of the bellow used in product

# 2B - 220

## STYLE

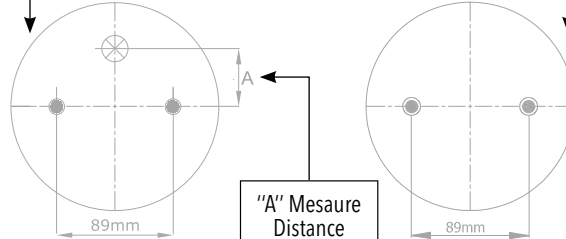
Figurative 2B-220 product drawing



Figurative top / bottom view

TOP VIEW

BOTTOM VIEW



"A" Mesure Distance to center

Previous reference replaced by order no

Master sap Reference to be used in transactions

AIR INLET

Reference	Order No	Description	⊗	A
114001	11120143	Rubber bellow only		
113001	11120001	Top/bottom plate M10 (Blind nuts)	G1/4	44,4mm
113004	11120004	Top/bottom plate M8 (Blind nuts)	G3/4	38,1 mm
113005	11120005	Top/bottom plate M10 (Blind nuts)	G3/4	38,1mm
113008	11120008	Top/bottom plate M10 (Blind nuts), Bumper (90mm)	G1/4	44,4mm
113021	11120016	Top/bottom plate M10 (Bolts)	G1/4	44,4mm
113482	11120117	Top/bottom plate M8 (Blind nuts)	G1/4	44,4mm

2B-220 References for varying metal combinations

Cross no section the item is adaptable to

Reference	Order No	Adaptable Cross	Reference	Order No	Adaptable Cross
114001	11120143	FIRESTONE FLEX 20	113004	11120004	CONTITECH FD 200-19 72046
		FIRESTONE W01-095-0009			WEFORMA WBZ 400 E1
		FIRESTONE W01-358-0297			FIRESTONE W01-M58-6185
		PHOENIX 2B 12R			BOSCH 822419043
		PIRELLI T20 86600			FESTO EB-250-185
		CONTITECH FD 200-19 S / 895 N / 72021			NORGREN PM/31092 (9"¼x2)
		GOODYEAR FLEX 578 9 2 3211			PHOENIX SP 2B 12R-1
		CF GOMMA 20/86599			
113001	11120001	FIRESTONE W01-M58-6887	113005	11120005	
		FIRESTONE W01-M58-6910	113008	11120008	
		FIRESTONE W01-M58-7887	113021	11120016	
		PHOENIX SP 2B 12R	113482	11120117	FIRESTONE W01-M58-7679
		PIRELLI T20			FIRESTONE W01-M58-6187
		CF GOMMA 206797			CONTITECH FD 200-19 72045
		CONTITECH FD 200-19 1/4 M10 72047			GOODYEAR 556 2 2 8649
		GOODYEAR SPRINGRIDE 2B 9-223			WEFORMA WBZ 400-E2
		DUNLOP (FR) SO 9201 NB			BOSCH 822419063
		DUNLOP (UK) 01128A-AP			DUNLOP (FR) 9"¼ SO9201
		GART T291/2 (291.2.200)			

● BOLT / STUD   ● BLIND NUT   ⊗ COMBINATIONS STUD   ⊗ AIR INLET

A DISTANCE TO CENTER

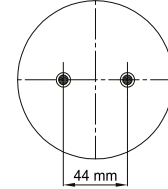
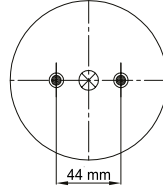
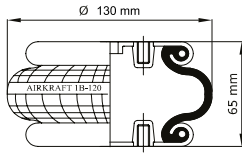
Symbols used in the drawing

# 1B - 120

## STYLE

TOP VIEW

BOTTOM VIEW



Reference	Order No	Description	⊗
112002	11101013	Rubber bellow only	
111001	11101001	Top/bottom plate M8 (Blind nuts)	G1/4

Reference	Order No	Adaptable Cross	
112002	11101013	CONTITECH	FS 50-5 62242
		FIRESTONE FLEX	16
		FIRESTONE	W01 358 0010

Reference	Order No	Adaptable Cross	
111001	11101001	FIRESTONE	W01 M58 6140
		WEFORMA	WBE 150-E1
		BOSCH	1915041000
		CONTITECH	FS 50-5 61388

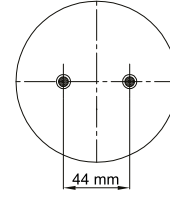
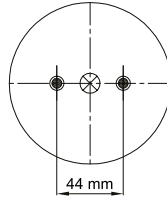
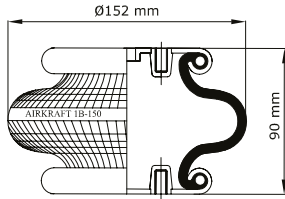
● BOLT / STUD    ● BLIND NUT    ⊗ COMBINATIONS STUD    ⊗ AIR INLET

# 1B - 150

## STYLE

TOP VIEW

BOTTOM VIEW



Reference	Order No	Description	⊗
112003	11101014	Rubber bellow only	
111002	11101002	Top/bottom plate M8 (Blind nuts)	G 1/4
111010	11101007	Top/bottom plate M10 (Blind nuts)	G 1/4

Reference	Order No	Adaptable Cross	
112003	11101014	CONTITECH	FS 70-7 60512
		FIRESTONE FLEX	131
		FIRESTONE	W01 358 0131
111002	11101002	PHOENIX	SP 1B 05
		CONTITECH	FS 70-7 1/4 M8
		WEFORMA	WBE 200-E1
		BOSCH	822419002
		FESTO	EB 165 65
		FIRESTONE	W01 M58 6155

Reference	Order No	Adaptable Cross	
111010	11101007		

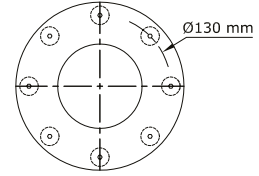
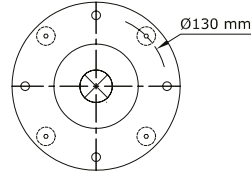
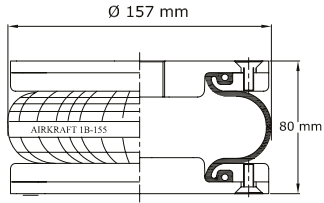
● BOLT / STUD   ● BLIND NUT   ⊗ COMBINATIONS STUD   ⊗ AIR INLET

# 1B - 155

## STYLE

TOP VIEW

BOTTOM VIEW



Reference	Order No	Description	⊗
112020	11101029	Rubber bellow only	
111020	11101028	Top/Bottom plastic plate M8	Rp 1/2

Reference	Order No	Adaptable Cross
112020	11101029	SPRINGRIDE 6X1
111020	11101028	SPRINGRIDE 6X1
		DUNLOP DB 06110
		DUNLOP DB 06110B

Reference	Order No	Adaptable Cross

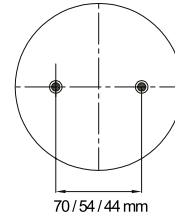
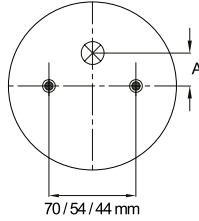
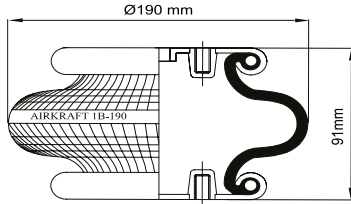
● BOLT / STUD   ● BLIND NUT   ⊗ COMBINATIONS STUD   ⊗ AIR INLET

# 1B - 190

## STYLE

TOP VIEW

BOTTOM VIEW



Reference	Order No	Description	⊗	A
112004	11101015	Rubber bellow only		
111003	11101003	Top/bottom plate M8 (Blind nuts),assembly axis 70mm	G3/4	center
111005	11101005	Top/bottom plate M8 (Blind nuts),assembly axis 70mm	G1/4	center
111013	11101008	Top/bottom plate M8 (Blind nuts),assembly axis 54mm	G1/4	26 mm
111015	11101009	Top/bottom plate M10 (Blind nuts),axis 44mm	G1/4	center

Reference	Order No	Adaptable Cross	
112004	11101015	CONTITECH	FS 120-9 60479
		FIRESTONE FLEX	116
		FIRESTONE	W01 358 0133
111003	11101003	FIRESTONE	W01 M58 6165
		CONTITECH	FS120-9 2681 030 000
		DUNLOP (FR)	8"x1 S08101
		WEFORMA	WBE 300-E1
		BOSCH	822419003
		FESTO	EB-215-80
		NORGREN	PM/31081 (8"x1)

Reference	Order No	Adaptable Cross	
111005	11101005	FIRESTONE	W01 M58 6166
		CONTITECH	FS 120-9 61358
		DUNLOP (FR)	8"x1 S08100
		WEFORMA	WBE 300-E2
		BOSCH	822419008
111013	11101008	PHOENIX	SP 1 B 07
111015	11101009		

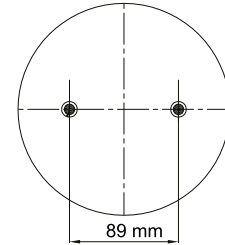
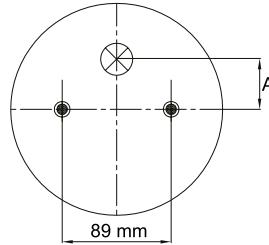
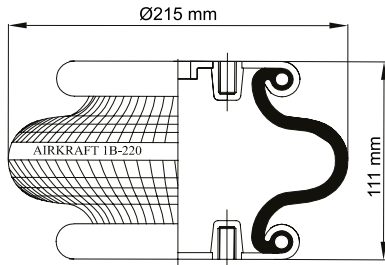
● BOLT / STUD    ● BLIND NUT    ⊗ COMBINATIONS STUD    ⊗ AIR INLET    A DISTANCE TO CENTER

# 1B - 220

## STYLE

TOP VIEW

BOTTOM VIEW



Reference	Order No	Description	⊗	A
112005	11101016	Rubber bellow only		
111004	11101004	Top/bottom plate M8 (Blind nuts)	G3/4	38,1mm
111006	11101006	Top/bottom plate M8 (Blind nuts)	G1/4	44,4 mm

Reference	Order No	Adaptable Cross	
112005	11101016	CONTITECH	FS 200-10 60319
		FIRESTONE FLEX	115
		FIRESTONE	W01 358 0118
111004	11101004	FIRESTONE	W01 M58 6374
		CONTITECH	FS 200-10 2681 045 000
		DUNLOP (FR)	9"1/4x1 S09101
		WEFORMA	WBE 400-E1
		BOSCH	822419004
		FESTO	EB-250-85
		NORGREN	PM/31091 (9"1/4x1)

Reference	Order No	Adaptable Cross	
111006	11101006	CONTITECH	FS 200-10 60030
		FIRESTONE	W01 M58 6375
		BOSCH	822419009
		WEFORMA	WBE 400-E2 / 410-E1

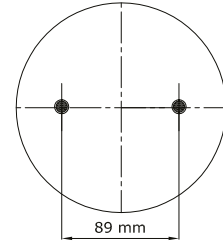
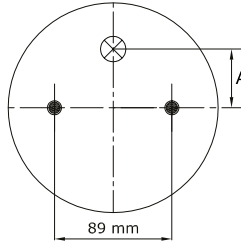
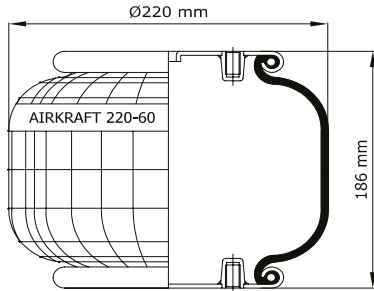
● BOLT / STUD   ● BLIND NUT   ⊗ COMBINATIONS STUD   ⊗ AIR INLET   A DISTANCE TO CENTER

# 220 - 60

## STYLE

TOP VIEW

BOTTOM VIEW



Reference	Order No	Description	⊗	A
112001	11101017	Rubber bellow only		
111152	11101011	Top/bottom plate M8 (17 mm Bolts)	1/4 NPT	44,4mm
111150	11101010	Top/bottom plate M10 (Blind nuts)	1/4 NPT	44,4 mm

Reference	Order No	Adaptable Cross	
112001	11101017	GART	T291/B
111150	11101010	GART	T291/B (291.1.170)
			MERCEDES-ACTROS-TURKEY

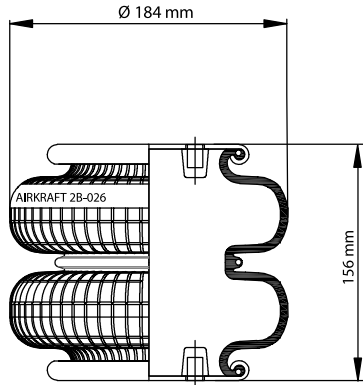
Reference	Order No	Adaptable Cross	
111152	11101011	BMC	57RS306423

● BOLT / STUD   ● BLIND NUT   ⊗ COMBINATIONS STUD   ⊗ AIR INLET   A DISTANCE TO CENTER

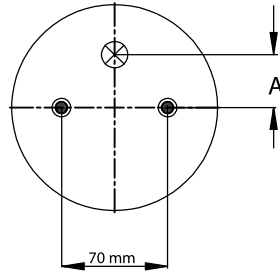


# 2B - 026

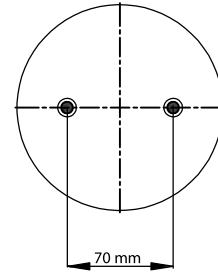
## STYLE



TOP VIEW



BOTTOM VIEW



Reference	Order No	Description	
114026	11120257	Rubber bellow only	
113040	11120235	Top/Bottom plate 3/8-16 UNC (blind nuts)	1/4-18 NPT

Reference	Order No	Adaptable Cross	
113040	11120235	FIRESTONE FLEX	26
		FIRESTONE	W01 358 7659
		GOODYEAR	2B7-548
		HENDRICKSON	005079
		AUTOMANN	ABSP 2B 07 RA-7659

Reference	Order No	Adaptable Cross	

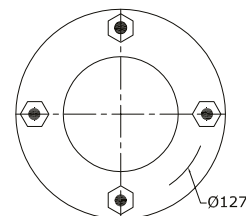
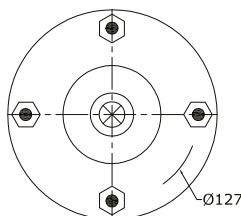
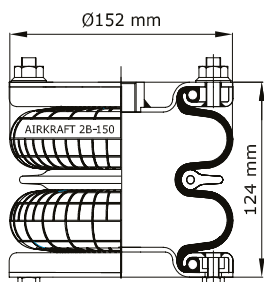
● BOLT / STUD    ● BLIND NUT    ⊗ COMBINATIONS STUD    ⊗ AIR INLET    Ø DISTANCE TO CENTER

# 2B - 150

## STYLE

TOP VIEW

BOTTOM VIEW



Reference	Order No	Description	⊗
114053	11120147	Rubber bellow only	
113070	11120031	Top side only clamp rings M10 (Bolts), Bottom side only clamp rings M8 (Nuts)	
113071	11120032	Top plate M10 (Bolts), bottom plate M8 (Nuts)	G 1/2
113072	11120033	Top/Bottom side only clamp rings M10 (Bolts)	
113073	11120034	Top/Bottom plate M10 (Bolts)	G 1/2

Reference	Order No	Adaptable Cross	
114053	11120147	DUNLOP	6"x2 SP 917
113070	11120031	DUNLOP	6"x2
113071	11120032	DUNLOP	DB 06219

Reference	Order No	Adaptable Cross	
113072	11120033	DUNLOP	6"x2
113073	11120034	DUNLOP	6"x2 SP 1482

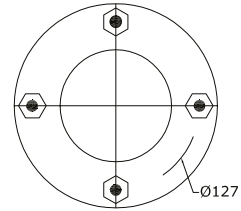
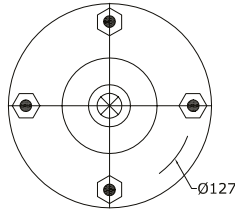
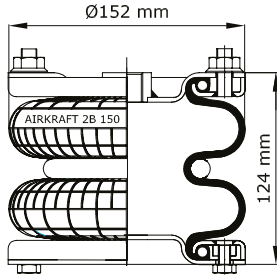
● BOLT / STUD   ● BLIND NUT   ⊗ COMBINATIONS STUD   ⊗ AIR INLET

# 2B - 150

## STYLE

TOP VIEW

BOTTOM VIEW



Reference	Order No	Description	⊗
114055	11120148	Rubber bellow only	
113074	11120035	Top plate M10 (Bolts),Bottom plate M8(Nuts)	G 1/2
113075	11120036	Top/Bottom Plate M10 (Bolts)	G 1/2

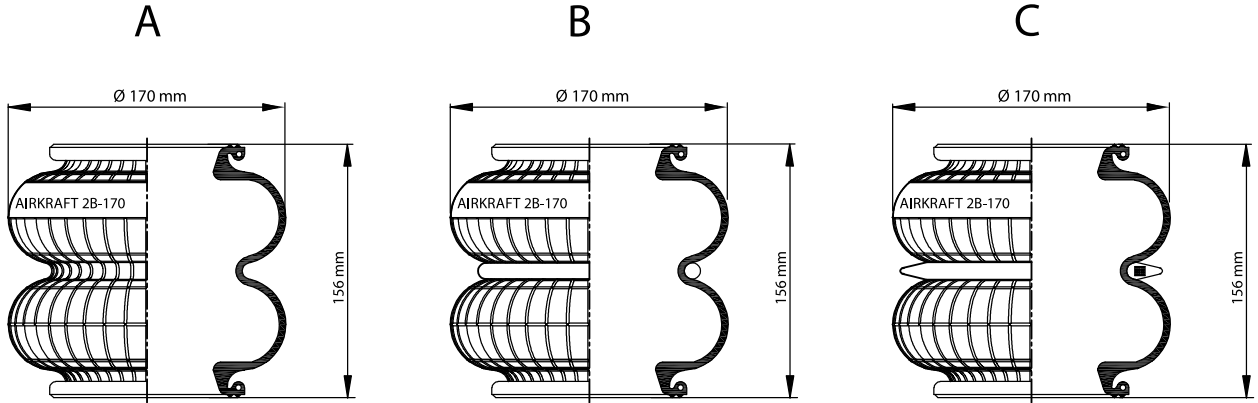
Reference	Order No	Adaptable Cross	
114055	11120148	DUNLOP	6"x2
113074	11120035	DUNLOP	6"x2
		PNEUMATIS	DB 06219

Reference	Order No	Adaptable Cross	
113075	11120036	DUNLOP	6"x2
		WEFORMA	WBZ-G 210
		NORGREN	M/31062 (6"x2)

● BOLT / STUD   ● BLIND NUT   ⊗ COMBINATIONS STUD   ⊗ AIR INLET

# 2B - 170

## STYLE



Reference	Order No	Description
114059	11120256	Rubber bellow only (Type A)
114058	11120255	Rubber bellow - with middle ring (Type B / metal ring)
114057	11120236	Rubber bellow - with middle ring (Type C / rubber ring)

Reference	Order No	Adaptable Cross
114059	11120256	Rubena 170"x2
114058	11120255	Rubena 170"x2
114057	11120236	Rubena 170"x2

Reference	Order No	Adaptable Cross

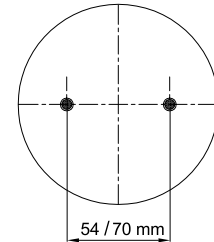
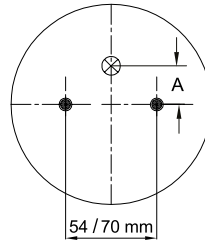
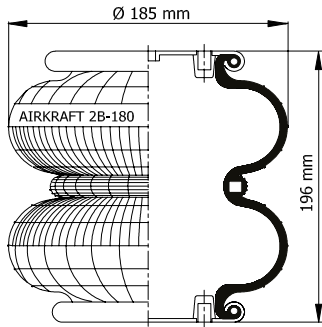
● BOLT / STUD   ● BLIND NUT   ⊗ COMBINATIONS STUD   ⊗ AIR INLET

# 2B - 180

## STYLE

TOP VIEW

BOTTOM VIEW



Reference	Order No	Description	⊗	A
114050	11120145	Rubber bellow only		
113052	11120021	Top/Bottom plate M8 (blind nuts), assembly axis 54mm	G1/4	26mm
113053	11120022	Top/Bottom plate M8 (blind nuts), assembly axis 70mm	G3/4	center
113054	11120023	Top/Bottom plate M8 (blind nuts), assembly axis 70mm	G1/4	center
113067	11120029	Top/Bottom plate 3/8-16 (blind nuts), assembly axis 70mm	1/4NPT	center
113068	11120030	Top/Bottom plate 3/8-16 (blind nuts), assembly axis 70mm	3/4NPT	center
113057	11120026	Top/Bottom plate M10 (blind nuts), assembly axis 70mm	1/4NPT	center

Reference	Order No	Adaptable Cross	
114050	11120145	CONTITECH	603N
		FIRESTONE FLEX	26
		FIRESTONE	W01 358 0142
		PIRELLI	26
		PHOENIX	2 B 07 R
113052	11120021	GOODYEAR	2B 8-550
		PHOENIX	SP 2B 07R
113053	11120022	PIRELLI	T26 84181
		CONTITECH	FD-120-17 2682 030000
		FIRESTONE	W01 M58 6387
		FIRESTONE	W01 358 7325
		CF GOMMA	T26 / 84181
		WEFORMA	WBZ 300-E1
		BOSCH	822419042
		DUNLOP (FR)	SO 8201
		GOODYEAR	2B7-540 / 2B8-2152
		FESTO	EB-215-155
		NORGREN	PM/31082 (8"x2)
TAURUS	KF 218		

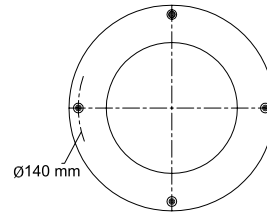
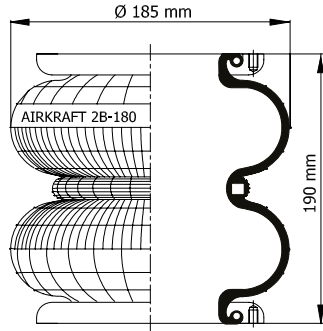
Reference	Order No	Adaptable Cross	
113054	11120023	FIRESTONE	W01 M58 6353 / 026B 095.0275
		CONTITECH	FD 120-17 61361
		GOODYEAR	2B8-850
		WEFORMA	WBZ 300-E2
		BOSCH	822419062
113067	11120029	FIRESTONE	W01 358 7325
		CONTITECH	FD 120-20 509
		GOODYEAR	2B8-550
113068	11120030	HENDRICKSON	14395
		FIRESTONE	W01 358 7327
113057	11120026	GOODYEAR	2B8-552

● BOLT / STUD    ● BLIND NUT    ⊗ COMBINATIONS STUD    ⊗ AIR INLET    A DISTANCE TO CENTER

# 2B - 180

## STYLE

TOP & BOTTOM VIEW



Reference	Order No	Description
114050	11120145	Rubber bellow only
113055	11120024	Top/Bottom side Flange (Steel) M6
113064	11120174	Top/Bottom side Flange (Steel) M8

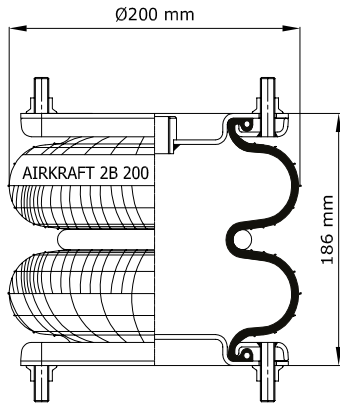
Reference	Order No	Adaptable Cross	
114050	11120145	CONTITECH	603N
		FIRESTONE FLEX	26
		FIRESTONE	W01 358 0142
		PIRELLI	26
		PHOENIX	2 B 07 R
113055	11120024		

Reference	Order No	Adaptable Cross	
113064	11120174		

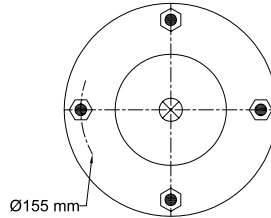
● BOLT / STUD    ● BLIND NUT    ⊗ COMBINATIONS STUD    ⊗ AIR INLET    ∅ DISTANCE TO CENTER

# 2B - 200

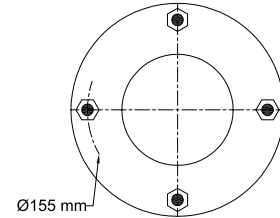
## STYLE



TOP VIEW



BOTTOM VIEW



Reference	Order No	Description	⊗
114051	11120146	Rubber bellow only	
113060	11120027	Top/Bottom plate M10 (bolts)	RP 1/2
113062	11120028	Top/Bottom side only clamp ring M10	

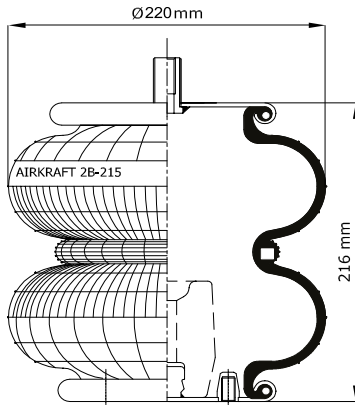
Reference	Order No	Adaptable Cross	
114051	11120146	CONTITECH	FD 138-18S
		FIRESTONE FLEX	8x2
		DUNLOP	8"x2
		GOODYEAR FLEX	578 923 2150
113060	11120027	DUNLOP (FR)	SP 1490(8"x2) / SP918
		CONTITECH	FD 138-18 1/2M10
		GOODYEAR	2B8-2150
		WEFORMA	WBZ-G 350
		NORGREN	M/31082 (8"x2)
		DUNLOP (UK)	PNP305500112
		FIRESTONE	W01-R58-4055

Reference	Order No	Adaptable Cross	
113062	11120028		

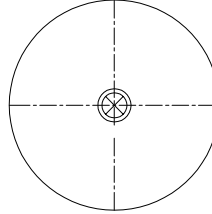
● BOLT / STUD   ● BLIND NUT   ⊗ COMBINATIONS STUD   ⊗ AIR INLET   Ø DISTANCE TO CENTER

# 2B - 215

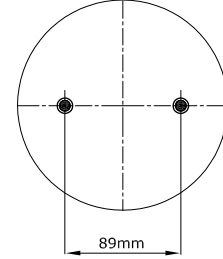
## STYLE



TOP VIEW



BOTTOM VIEW



Reference	Order No	Description	⊗
114005	11120175	Rubber bellow only	
113015	11120013	Bottom plate Blind nuts M10, Bumper (90mm)	M20X1.5-M12X1.5

Reference	Order No	Adaptable Cross	
114005	11120175	CONTITECH	FD 200-19
113015	11120013	PHOENIX	SP 2B 12R-12
		Truck in Turkey	
		HENDRICKSON	HS 507907/P

Reference	Order No	Adaptable Cross	

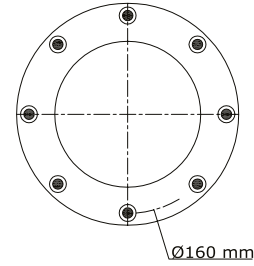
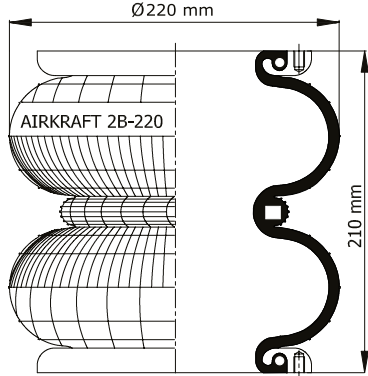
● BOLT / STUD   ● BLIND NUT   ⊗ COMBINATIONS STUD   ⊗ AIR INLET



# 2B - 220

## STYLE

TOP & BOTTOM VIEW



Reference	Order No	Description
114001	11120143	Rubber bellow only
113006	11120006	Top/Bottom side Flange (Steel) 4xM8
113546	11120135	Top/Bottom side Flange (Steel) 4xM8

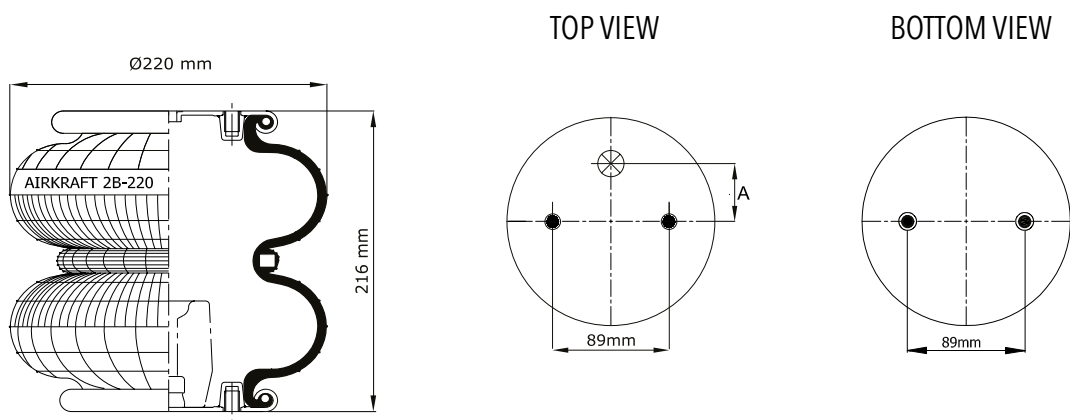
Reference	Order No	Adaptable Cross	
114001	11120143	FIRESTONE FLEX	20
		FIRESTONE	W01-095-0009
		FIRESTONE	W01-358-0297
		PHOENIX	2B 12R
		PIRELLI	T20 86600
		CONTITECH	FD 200-19 S / 895 N / 72021
		GOODYEAR FLEX	578 9 2 3211
		CF GOMMA	20/86599

Reference	Order No	Adaptable Cross	
113006	11120006		
113546	11120135	FIRESTONE	095.0023
		GOODYEAR	556 2 2 8425

● BOLT / STUD    ● BLIND NUT    ⊗ COMBINATIONS STUD    ⊗ AIR INLET    ∅ DISTANCE TO CENTER

# 2B - 220

## STYLE



Reference	Order No	Description	⊗	A
114001	11120143	Rubber bellow only		
113001	11120001	Top/bottom plate M10 (Blind nuts)	G1/4	44,4mm
113004	11120004	Top/bottom plate M8 (Blind nuts)	G3/4	38,1 mm
113005	11120005	Top/bottom plate M10 (Blind nuts)	G3/4	38,1mm
113008	11120008	Top/bottom plate M10 (Blind nuts), Bumper (90mm)	G1/4	44,4mm
113021	11120016	Top/bottom plate M10 (Bolts)	G1/4	44,4mm
113482	11120117	Top/bottom plate M8 (Blind nuts)	G1/4	44,4mm

Reference	Order No	Adaptable Cross
114001	11120143	FIRESTONE FLEX 20
		FIRESTONE W01-095-0009
		FIRESTONE W01-358-0297
		PHOENIX 2B 12R
		PIRELLI T20 86600
		CONTITECH FD 200-19 S / 895 N / 72021
		GOODYEAR FLEX 578 9 2 3211
		CF GOMMA 20/86599
113001	11120001	FIRESTONE W01-M58-6887
		FIRESTONE W01-M58-6910
		FIRESTONE W01-M58-7887
		PHOENIX SP 2B 12R
		PIRELLI T20
		CF GOMMA 206797
		CONTITECH FD 200-19 1/4 M10 72047
		GOODYEAR SPRINGRIDE 2B 9-223
		DUNLOP (FR) SO 9201 NB
		DUNLOP (UK) 01128A-AP
		GART T291/2 (291.2.200)

Reference	Order No	Adaptable Cross
113004	11120004	CONTITECH FD 200-19 72046
		WEFORMA WBZ 400 E1
		FIRESTONE W01-M58-6185
		BOSCH 822419043
		FESTO EB-250-185
		NORGREN PM/31092 (9"¼x2)
		PHOENIX SP 2B 12R-1
113005	11120005	
113008	11120008	
113021	11120016	
113482	11120117	FIRESTONE W01-M58-7679
		FIRESTONE W01-M58-6187
		CONTITECH FD 200-19 72045
		GOODYEAR 556 2 2 8649
		WEFORMA WBZ 400-E2
		BOSCH 822419063
		DUNLOP (FR) 9"¼ SO9201

● BOLT / STUD

● BLIND NUT

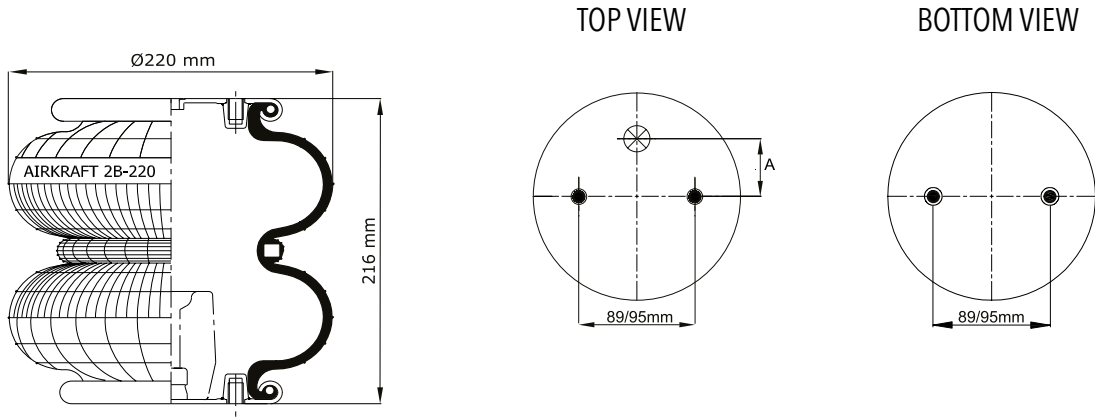
⊗ COMBINATIONS STUD

⊗ AIR INLET

A DISTANCE TO CENTER

# 2B - 220

## STYLE



Reference	Order No	Description	⊗	A
113474	11120110	Top plate M12 (Bolts), Bottom plate M8 (Blind nuts), Bumper (90mm)	1/4 NPT	44,4mm
113017	11120014	Top/bottom plate 3/8-16 (Blind nuts)	1/4 NPT	44,4mm
113027	11120018	Top/bottom plate 3/8-16 (Blind nuts), Bumper (96mm)	1/4 NPT	44,4mm
113028	11120019	Top plate 1/2"-13 (Bolts)/Bottom plate 3/8-16 (Blind nuts) Bumper-96 mm	1/4 NPT	44,4mm
113487	11120120	Top/bottom plate 3/8"-16 UNC (Blind nuts)	3/4 NPT	44,4mm
113003	11120003	Top/bottom plate M10 (Blind nuts), Assembly axis 95 mm	M12X1.5	44,4mm

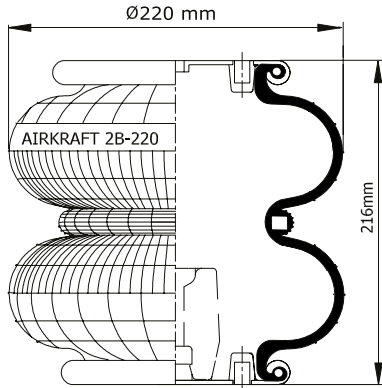
Reference	Order No	Adaptable Cross	
113474	11120110	FIRESTONE	20-T3 095.0313
		GOODYEAR	556 2 2 8521
113017	11120014	FIRESTONE	W01 358 6910
		CONTITECH	FD 200-19 320
		GOODYEAR	2B9-200
		TAURUS	KF218-6910
		HENDRICKSON	B-8768 / 45843-3
		DUNLOP (UK)	PNP 037 690 200
113027	11120018	FIRESTONE	W01 358 6902
		CONTITECH	FD 200-19 310
		GOODYEAR	2B9-201 / 578 9 2 3202
		GOODYEAR	2B9-239 / 578 9 2 3211
		TAURUS	KF218-6902
		HENDRICKSON	S-2630
		DUNLOP (UK)	PNP 037 690 200

Reference	Order No	Adaptable Cross	
113028	11120019	FIRESTONE	W01 358 6905
		CONTITECH	FD 200-19 315
		GOODYEAR	2B9-206 / 578 9 2 3202
		TAURUS	KF218-6905
		HENDRICKSON	B-3518 / 5270 / 45843-1
113487	11120120	FIRESTONE	W01-358-6900
		CONTITECH	FD 200-19 319 / 161017
		GOODYEAR	2B9-216 / 578 9 2 3202
113003	11120003	DUNLOP (FR)	9"¼ SO 9203

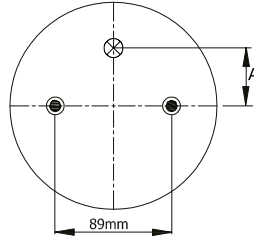
● BOLT / STUD    ● BLIND NUT    ⊗ COMBINATIONS STUD    ⊗ AIR INLET    A DISTANCE TO CENTER

# 2B - 220

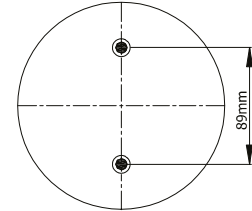
## STYLE



TOP VIEW



BOTTOM VIEW



Reference	Order No	Description	⊗	A
114001	11120143	Rubber bellow only		
113002	11120002	Top/bottom plate M10 (Blind nuts)	M12X1.5	44,4mm
113018	11120015	Top/bottom plate M10 (Blind nuts)	M14X1.5	44,4mm
113549	11120138	Top/bottom plate M10 (Blind nuts)	G1/4	44,4mm
113501	11120129	Top plate 1/2"-13UNC (Bolts)/Bottom plate 3/8"-16UNC (Blind nuts)	1/4 NPT	44,4mm

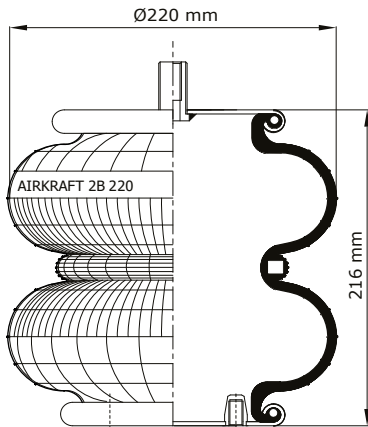
Reference	Order No	Adaptable Cross
114001	11120143	FIRESTONE FLEX 20
		FIRESTONE W01-095-0009
		FIRESTONE W01-358-0297
		PHOENIX 2B 12R
		PIRELLI T20 86600
		CONTITECH FD 200-19 S / 895 N / 72021
		GOODYEAR FLEX 578 9 2 3211
		CF GOMMA 20/86599
113002	11120002	FIRESTONE W01 M58 7894
		CONTITECH FD 200-19 P04/895 N/72044
		PHOENIX 2B 12R-5
		PIRELLI T20 86660
		DUNLOP (FR) S09201
		GOODYEAR SPRINGRIDE 2B9-700
		TAURUS KF 216
		GART T291/2 2912203
		CF GOMMA 20/207773
		SAF 1319761

Reference	Order No	Adaptable Cross
113018	11120015	CONTITECH FD 200-19 53863
		GOODYEAR SPRINGRIDE 2B9-729
		GOODYEAR SPRINGRIDE 2B9-613
		GOODYEAR SPRINGRIDE 2B9-742
		FIRESTONE W01-M58-6891
113549	11120138	PHOENIX 2B 12R-8
113501	11120129	FIRESTONE W01 358 6890
		CONTITECH FD 200-19 539 / 161303

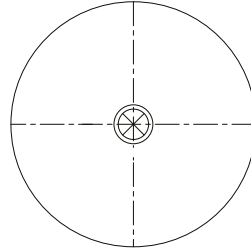
● BOLT / STUD    ● BLIND NUT    ⊗ COMBINATIONS STUD    ⊗ AIR INLET    A DISTANCE TO CENTER

# 2B - 220

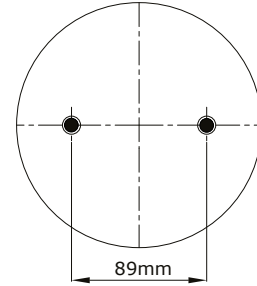
## STYLE



TOP VIEW



BOTTOM VIEW



Reference	Order No	Description	⊗
114001	11120143	Rubber bellow only	
113475	11120111	Bottom plate M8 (Blind Nuts)	M18x2.5+M12x1.5
113082	11120250	Bottom plate M10 (blind nuts)	M24x1,5 +M16x1,5

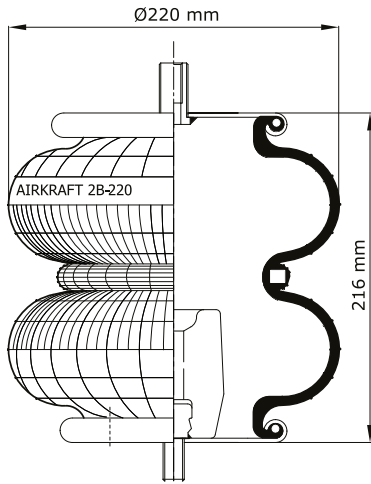
Reference	Order No	Adaptable Cross
114001	11120143	FIRESTONE FLEX 20
		FIRESTONE W01-095-0009
		FIRESTONE W01-358-0297
		PHOENIX 2B 12R
		PIRELLI T20 86600
		CONTITECH FD 200-19 S / 895 N / 72021
		GOODYEAR FLEX 578 9 2 3211
		CF GOMMA 20/86599

Reference	Order No	Adaptable Cross
113475	11120111	FIRESTONE 20 T3 095.0353
		GOODYEAR 556 2 2 8520
113082	11120250	FIRESTONE W01-M58-7756
		CONTITECH FD200-19 P02
		GOODYEAR 2B9-234
		PHOENIX SP 2B 12R-17
		CF GOMMA T20L / 207065

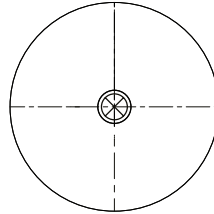
● BOLT / STUD    ● BLIND NUT    ⊗ COMBINATIONS STUD    ⊗ AIR INLET

# 2B - 220

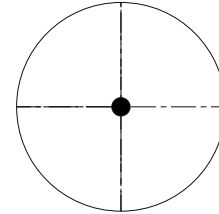
## STYLE



TOP VIEW



BOTTOM VIEW



Reference	Order No	Description	⊗
114001	11120143	Rubber bellow only	
113026	11120017	Bottom Plate 1/2"-13UNC (Bold)	3/4"-16 UNC +1/4 NPT
113541	11120176	Bottom Plate 1/2"-13UNC (Bold) Bumper- 96 mm	3/4"-16 UNC +1/4 NPT
113014	11120210	Bottom plate 1/2-13 UNC (Bold), Bumper 83mm	3/4 NPT + 1/4 NPT

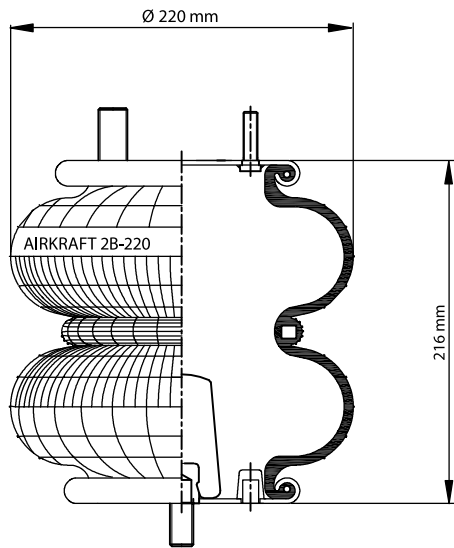
Reference	Order No	Adaptable Cross	
114001	11120143	FIRESTONE FLEX	20
		FIRESTONE	W01-095-0009
		FIRESTONE	W01-358-0297
		PHOENIX	2B 12R
		PIRELLI	T20 86600
		CONTITECH	FD 200-19 S / 895 N / 72021
		GOODYEAR FLEX	578 9 2 3211
		CF GOMMA	20/86599

Reference	Order No	Adaptable Cross	
113026	11120017	FIRESTONE	W01-358-6897
		GOODYEAR	2B9-229
		CONTITECH	FD 200-19 505 / 161300
113541	11120176		
113014	11120210	FIRESTONE	W01-358-7788
		CONTITECH	FD200-19 510
		GOODYEAR	2B9-245 / 578 9 2 3202

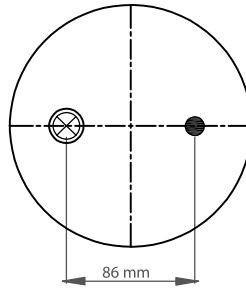
● BOLT / STUD    ● BLIND NUT    ⊗ COMBINATIONS STUD    ⊗ AIR INLET

# 2B - 220

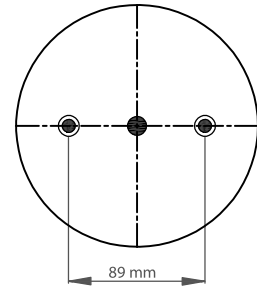
## STYLE



TOP VIEW



BOTTOM VIEW



Reference	Order No	Description	⊗
114001	11120143	Rubber bellow only	
113081	11120249	Top plate 1/2"-13 UNC (bold), / Bottom plate 3/8"-16 UNC (blind nuts) and 1/2-13 UNC (bold)	3/4"-16 UNC + 1/4"-18 NPT

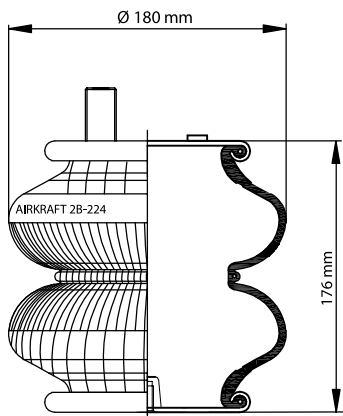
Reference	Order No	Adaptable Cross
114001	11120143	FIRESTONE FLEX 20
		FIRESTONE W01-095-0009
		FIRESTONE W01-358-0297
		PHOENIX 2B 12R
		PIRELLI T20 86600
		CONTITECH FD 200-19 S / 895 N / 72021
		GOODYEAR FLEX 578 9 2 3211
		CF GOMMA 20/86599
113081	11120249	FIRESTONE W01 358 6932
		CONTITECH FD200-19 452
		GOODYEAR 2B9-246

Reference	Order No	Adaptable Cross

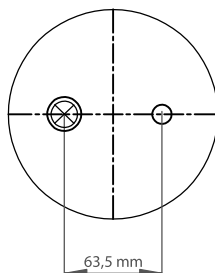
● BOLT / STUD   ● BLIND NUT   ⊗ COMBINATIONS STUD   ⊗ AIR INLET

# 2B - 224

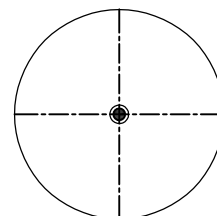
## STYLE



TOP VIEW



BOTTOM VIEW



Reference	Order No	Description
113440	11120230	Top plate Ø12,7 (pin), / Bottom plate 3/8"-16 UNC (blind nut) 3/4"-16 UNC + 1/4"-18 NPT

Reference	Order No	Adaptable Cross
113440	11120230	FIRESTONE FLEX 224C
		FIRESTONE A01-760-6401
		FORD F250/F350 (REAR)
		DODGE RAM 1500-2500-3500 MEGA CAB (REAR)

Reference	Order No	Adaptable Cross

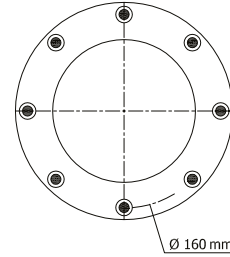
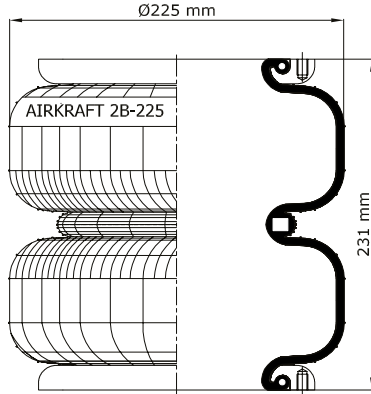
● BOLT / STUD ● BLIND NUT ⊗ COMBINATIONS STUD ⊗ AIR INLET



# 2B - 225

## STYLE

TOP & BOTTOM VIEW



Reference	Order No	Description
114004	11120144	Rubber bellow only
113547	11120136	Top/ Bottom Side Flange (Steel) 8XM8

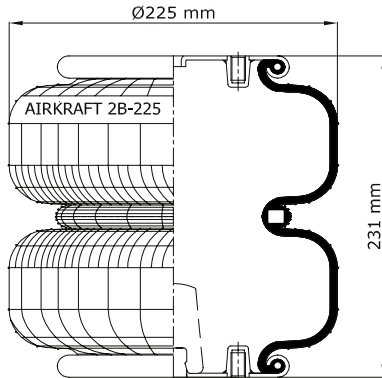
Reference	Order No	Adaptable Cross	
114004	11120144	CONTITECH	FD200-25 S
		GOODYEAR FLEX	578 9 2 3206
		FIRESTONE	095.0234
		FIRESTONE FLEX	20-2

Reference	Order No	Adaptable Cross	
113547	11120136	FIRESTONE	095.0318
		GOODYEAR	556 2 2 8418

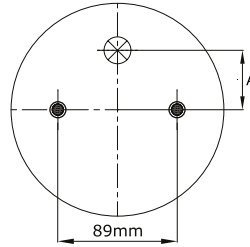
● BOLT / STUD    ● BLIND NUT    ⊗ COMBINATIONS STUD    ⊗ AIR INLET    ∅ DISTANCE TO CENTER

# 2B - 225

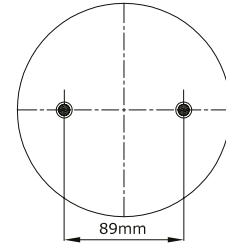
## STYLE



TOP VIEW



BOTTOM VIEW



Reference	Order No	Description	⊗	A
114004	11120144	Rubber bellow only		
113010	11120009	Top/bottom plate M10 (Blind nuts)	1/4NPT	44,4mm
113012	11120011	Top/bottom plate M10 (Blind nuts)	G1/4	44,4mm
113473	11120109	Top/bottom plate M8 (Blind nuts) Bumper-96 mm	1/4 NPT	44,4mm
113481	11120116	Top/bottom plate M10 (Blind nuts)	M12X1,5	44,4mm
113483	11120118	Top/bottom plate M8 (Blind nuts)	G3/4	38,1mm
113484	11120119	Top/bottom plate M8 (Blind nuts)	G1/4	44,4mm
113488	11120121	Top/bottom plate 3/8"-16 UNC (Blind nuts)	1/4 NPT	44,4mm
113489	11120122	Top/bottom plate 3/8"-16 UNC (Blind nuts)	3/4 NPT	38,1mm
113506	11120131	Top plate M12 (Bolts) Bottom Plate M8 (Blind nuts) Bumper 90 mm	1/4 NPT	44,4mm
113550	11120139	Top plate M12 (Bolts) Bottom Plate M8 (Blind nuts) Bumper 90 mm	M16X1,5	44,4mm
113013	11120012	Top plate 1/2"-13 UNC (Bolts) Bottom Plate 3/8- 16 UNC Bumper 90 mm	1/4 NPT	44,4mm
113502	11120130	Top plate 1/2"-13 UNC (Bolts) Bottom Plate 3/8- 16 UNC	1/4 NPT	44,4mm

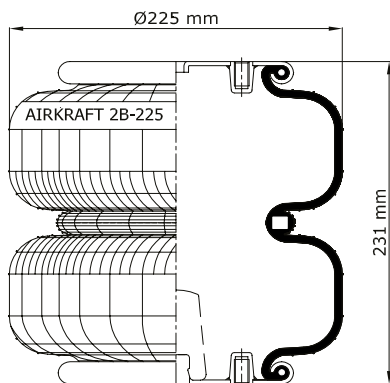
Reference	Order No	Adaptable Cross	
113010	11120009	FIRESTONE	W01 M58 7679
		FIRESTONE	W01 M58 7394
		CF GOMMA	20L/207776
		DUNLOP (FR)	S0 9280
		GOODYEAR	2B 9-269
		GART	T291/2B (291.2.260)
		VIBRACOUSTIC	VSP 2B 12RA-10
		PHOENIX	SP2B12R-A-10
113012	11120011	DUNLOP (FR)	9"¼ x2 S0 9280
		FIRESTONE	20-2 T3 095.0256
		FIRESTONE	W01-968-6771
		PHOENIX	SP2B12R-A-10
		CONTITECH	FD 200-25 / 1/4 M10 (62892)
113481	11120116	PHOENIX	SP2B12R-A-3
		GOODYEAR	2B9-701 / 578 9 2 3206
		CF GOMMA	20L
		DUNLOP (FR)	S09204
		GART	T291/2B (291.2.263)

Reference	Order No	Adaptable Cross	
113473	11120109	GOODYEAR	556 2 2 8656
113483	11120118	CONTITECH	FD 200-25 / 60382
		WEFORMA	WBZ 430-E1
113484	11120119	FIRESTONE	W01-M58-6183
		CONTITECH	FD 200-25/60555
		WEFORMA	WBZ 430-E2
113488	11120121	FIRESTONE	W01-358-6951
		GOODYEAR	2B 9-257
113489	11120122	FIRESTONE	W01-358-6952
113506	11120131	FIRESTONE	095.0327
		GOODYEAR	556 2 2 8657
113550	11120139	GOODYEAR	556 2 2 8406
113013	11120012	FIRESTONE	W01 358 6948
		CONTITECH	FD 200-25 429 / 161335
		GOODYEAR	2B9-251 / 578 9 2 3206
113502	11120130	FIRESTONE	W01-358-6943
		CONTITECH	FD 200-25 426 / 161 332
		GOODYEAR	2B9-250 / 578 9 2 3206

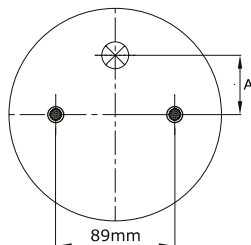
● BOLT / STUD    ● BLIND NUT    ⊗ COMBINATIONS STUD    ⊗ AIR INLET    A DISTANCE TO CENTER

# 2B - 225

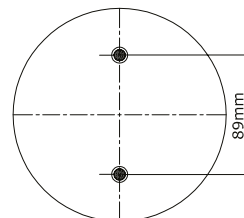
## STYLE



TOP VIEW



BOTTOM VIEW



Reference	Order No	Description	⊗	A
113011	11120010	Top/bottom plate M10 (Blind nuts)	1/4NPT	44,4mm
113038	11120020	Top/bottom plate M10 (Blind nuts)	M14X1,5	44,4mm
113476	11120112	Top/bottom plate M10 (Blind nuts)	M12X1,5	44,4mm

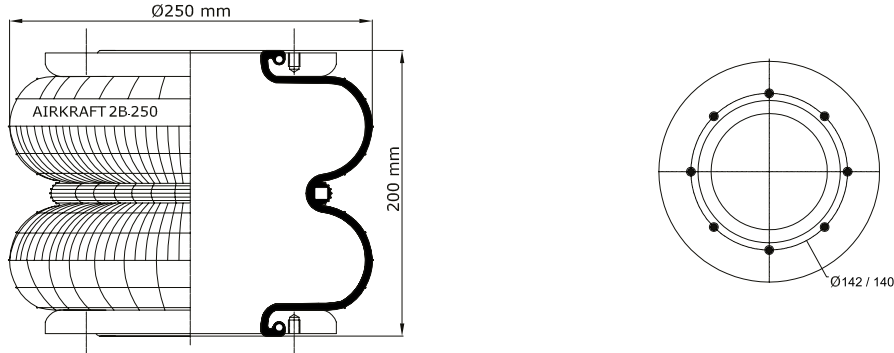
Reference	Order No	Adaptable Cross	
113011	11120010	FIRESTONE	W01 S05 7182
113038	11120020	FIRESTONE	W01 M58 6891
		FIRESTONE	W01 M58 7182
113476	11120112	PHOENIX	SP2B12R-A-3
		GOODYEAR	2B9-70 1
		VIBRACOUSTIC	VSP2B12RA-3
		CF GOMMA	20L/207065
		DUNLOP	S09204
		GART	T291/2B-291.2.263

Reference	Order No	Adaptable Cross	

● BOLT / STUD    ● BLIND NUT    ⊗ COMBINATIONS STUD    ⊗ AIR INLET    A DISTANCE TO CENTER

# 2B - 250/HYD STYLE

TOP & BOTTOM VIEW



Reference	Order No	Description
<b>Two Ply Bellows</b>		
114150	11120150	Rubber bellow only
113151	11120043	Top/Bottom side Flange (Aluminum) 8XM8, Blind Nuts Axis Ø142mm
<b>High Strength Bellows - Four Ply</b>		
114151	11120151	Rubber bellow only
113150	11120042	Top/Bottom side Flange (Aluminum) 8XM8, Blind Nuts Axis Ø142mm
113551	11120140	Top/Bottom side Flange (Aluminum) 8XM8, Blind Nuts Axis Ø140mm

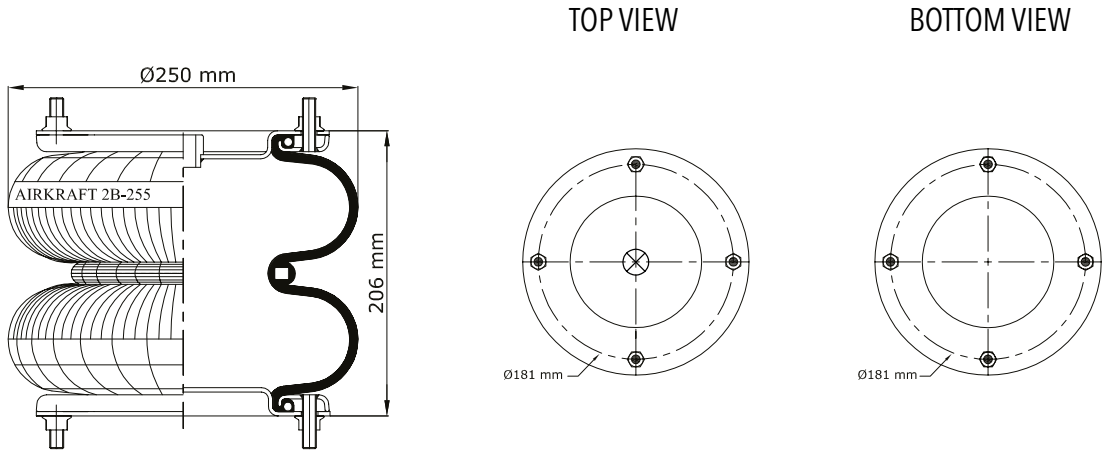
Reference	Order No	Adaptable Cross	
114150	11120150	FIRESTONE	W01 095 0219
		CONTITECH	620 N
		PHOENIX	2B 15 R
		PIRELLI	T245 93625
		VIBRACOUSTIC	V2B15R
113151	11120043	PIRELLI	T245 93740

Reference	Order No	Adaptable Cross	
114151	11120151	CONTITECH	620 N Hydro
		PIRELLI	T245 BV
		CF GOMMA	245 BV / 92142
113150	11120042	CONTITECH	620 M Hydro / 2680898006
		PIRELLI	T245 BV 92141
113551	11120140		

● BOLT / STUD   ● BLIND NUT   ⊗ COMBINATIONS STUD   ⊗ AIR INLET   Ø DISTANCE TO CENTER

# 2B - 255

## STYLE



Reference	Order No	Description	⊗
114100	11120149	Rubber bellow only	
113100	11120038	Top/bottom plate M10 (bolts)	RP 1/2
113101	11120039	Top/Bottom side only clamp ring M10 (bolts)	
113103	11120040	Top/bottom plate M10(bolts)	M22X1.5

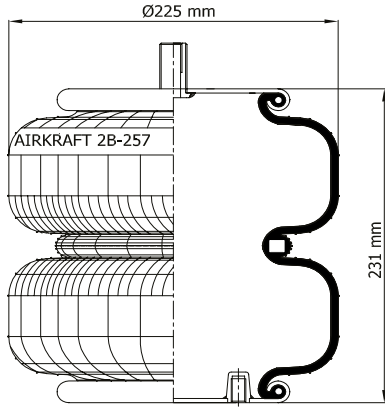
Reference	Order No	Adaptable Cross	
114100	11120149	FIRESTONE	W01 095 0175
		CONTITECH	FD 210-22 S
		DUNLOP (FR)	10"x2 SP 920
113100	11120038	CONTITECH	FD 210-22 1/2 M10
		DUNLOP (FR)	SP 1538 (10"x2)
		FIRESTONE	W01-R58-4058
		GOODYEAR	2B10-2350
		WEFORMA	WBZ-G 450
		NORGREN	M/31102 (10"x2)

Reference	Order No	Adaptable Cross	
113101	11120039	DUNLOP (FR)	SP 1003 (10"x2)
113103	11120040		

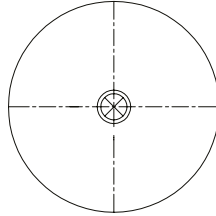
● BOLT / STUD    ● BLIND NUT    ⊗ COMBINATIONS STUD    ⊗ AIR INLET

# 2B - 257

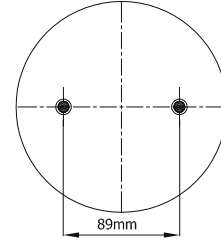
## STYLE



TOP VIEW



BOTTOM VIEW



Reference	Order No	Description	⊗
113508	11120133	Bottom Plate (Blind nuts) M8	M18X2.5-M12X1.5

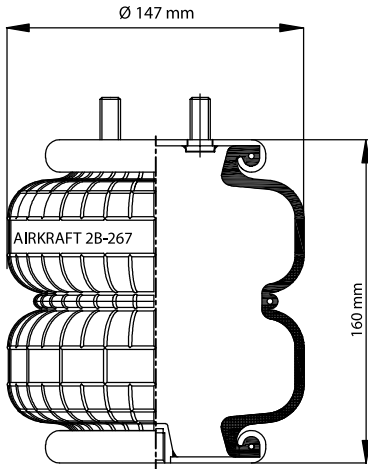
Reference	Order No	Adaptable Cross	
113508	11120133	FIRESTONE	257-1 095.0439
		GOODYEAR	556 2 3 8342/556 2 2 8418

Reference	Order No	Adaptable Cross

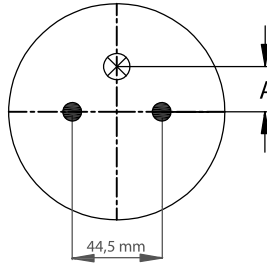
● BOLT / STUD   ● BLIND NUT   ⊗ COMBINATIONS STUD   ⊗ AIR INLET

# 2B - 267

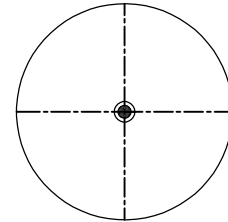
## STYLE



TOP VIEW



BOTTOM VIEW



Reference	Order No	Description	⊗	A
114430	11120211	Rubber Bellow only		
113430	11120212	Top plate 3/8"-16 (bolts), Bottom plate 3/8"-16 (blind nuts)	1/4 NPT	22,3 mm
311003	11120296	Top plate M10x1,5 (bolts), Bottom M10x 1,5 (blind nuts)	1/4 NPT	22,3 mm

Reference	Order No	Adaptable Cross
114430	11120211	FIRESTONE 267C1.5
113430	11120212	FIRESTONE FLEX 267C1.5
		FIRESTONE W21-760-6781
		CHEVROLET C&R 10.20.30.3500 (4X2 only)
		DODGE RAM 1500-2500-3500 (4X2, 4X4)
		FORD BRONCO FULL SIZE (4X4)
		FORD F-100, F-150, 5-250, F-350, PICKUPS (4X2, 4X4)
		FORD F-250, F-350 OVER 8500 GVWR (4X2, 4X4)
311003	11120296	

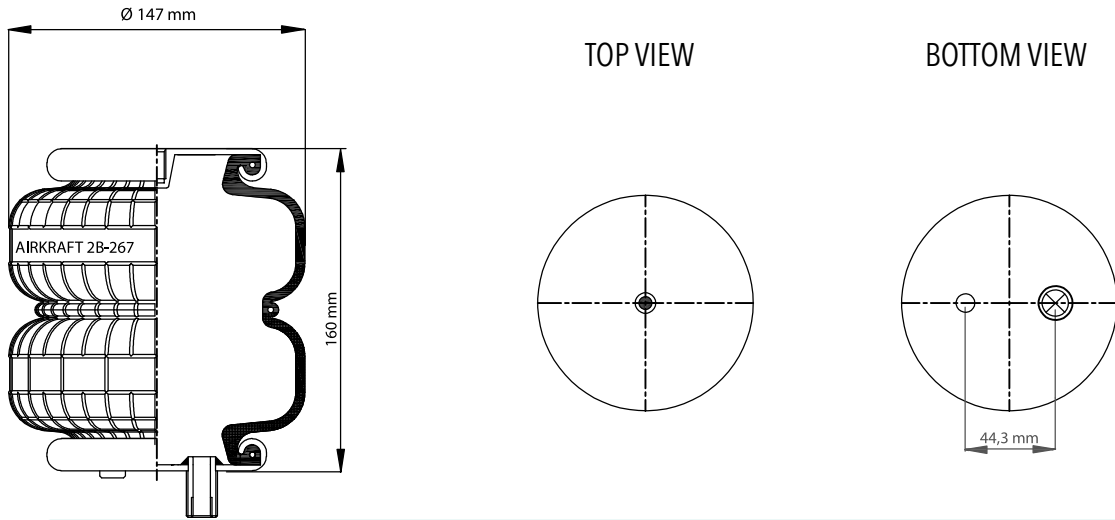
Reference	Order No	Adaptable Cross

● BOLT / STUD    ● BLIND NUT    ⊗ COMBINATIONS STUD    ⊗ AIR INLET



# 2B - 267

## STYLE



Reference	Order No	Description	⊗
114430	11120211	Rubber Bellow only	
113431	11120209	Bottom plate Ø 12.8 pin, top plate 3/8"-16 (blind nuts)	5/8-18 UNF+1/8NPT

Reference	Order No	Adaptable Cross	Reference	Order No	Adaptable Cross
114430	11120211	FIRESTONE 267C1.5			
113431	11120209	FIRESTONE W21-760-6397			
		FIRESTONE FLEX 267C1.5			
		TOYOTA TUNDRA TRD (4X2 only)			
		TOYOTA TUNDRA (4X4 only)			
		LINCOLN MARK LT (4X2, 4X4)			
		FORD F-150 (4X2,4X4)			
		CHEVROLET C&K-1500 SILVERADO			
		CHEVROLET SIERRA (4X2, 4X4)			

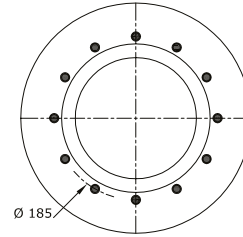
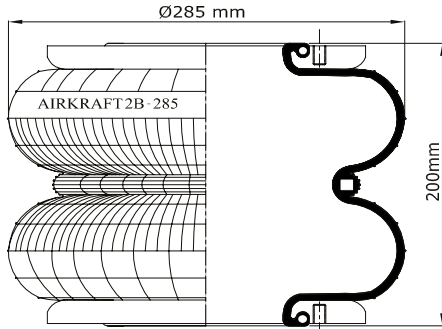
● BOLT / STUD    ● BLIND NUT    ⊗ COMBINATIONS STUD    ⊗ AIR INLET



# 2B - 285

## STYLE

TOP & BOTTOM VIEW



Reference	Order No	Description
114250	11120152	Rubber bellow only
113250	11120045	Top/Bottom side Flange (Steel) 12xM8

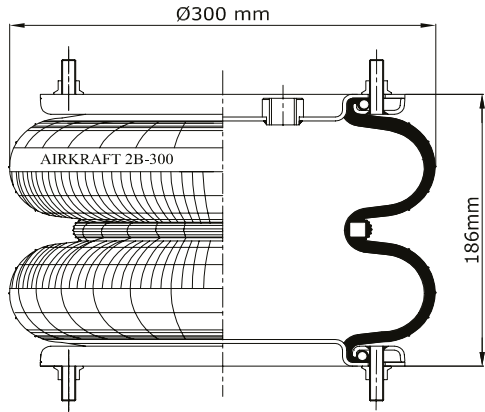
Reference	Order No	Adaptable Cross	
114250	11120152	CONTITECH	608 N
		PHOENIX	2B 20R
		TAURUS	KF211-200
		GOODYEAR	2B12-425 / 300
		VIBRACOUSTIC	V2B20R

Reference	Order No	Adaptable Cross	
113250	11120045	CONTITECH	608 M
		CF GOMMA	T26

● BOLT / STUD    ● BLIND NUT    ⊗ COMBINATIONS STUD    ⊗ AIR INLET    ∅ DISTANCE TO CENTER

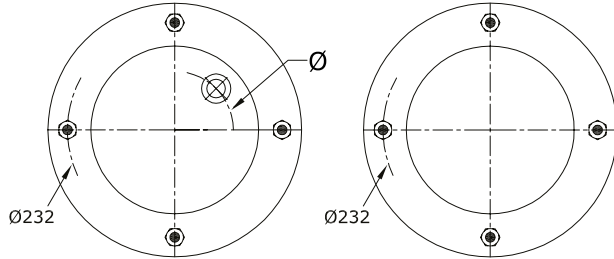
# 2B - 300

## STYLE



TOP VIEW

BOTTOM VIEW



Reference	Order No	Description	⊗	∅
114300	11120153	Bottom plate Blind nuts M8		
113300	11120046	Top/Bottom plate M10 (bolts)	Rp 1/2	center
113301	11120047	Top/Bottom plate M10 (bolts)	M16X1,5	120mm
113305	11120048	Top/Bottom side only clamp ring M10		
113302	11120254	Top/Bottom plate M10 (bolts), Bumper (120mm)	M16x1,5	120mm

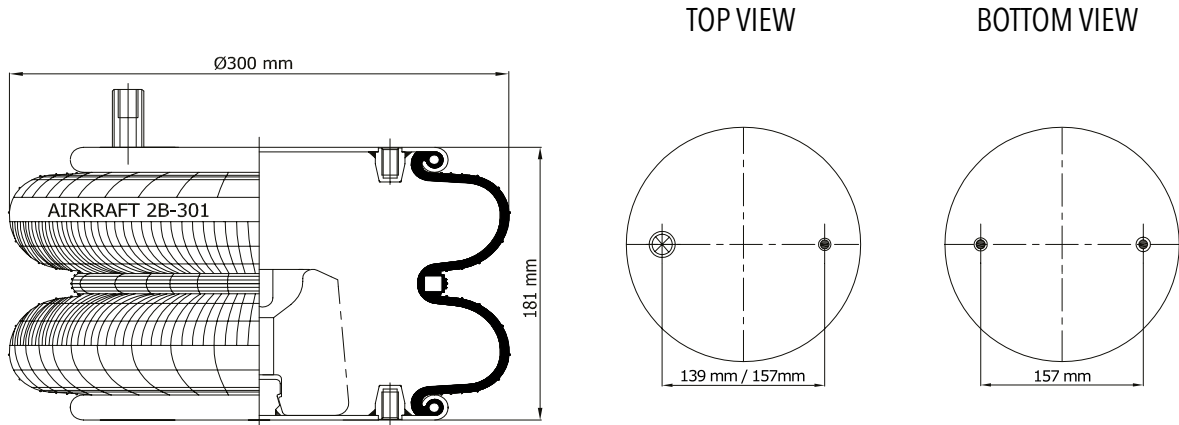
Reference	Order No	Adaptable Cross	
114300	11120153	CONTITECH	FD 412-18 S
		DUNLOP (FR)	SP 256 NB
113300	11120046	CONTITECH	FD 412-18 1/2 M10 / 66334
		DUNLOP (FR)	SP 1541 NB (12"x2)
		FIRESTONE	W01-R58-4061
		GOODYEAR	SPRINGRIDE 2B12-2452 / 578 9 2 3 2452
		WEFORMA	WBZ-G 550
		NORGREN	M / 31122 (12"x2)
		DUNLOP (UK)	PNP 3055 20 118

Reference	Order No	Adaptable Cross	
113301	11120047	FIRESTONE	fole 210 095.0082
		CONTITECH	FD 412-18 P01
		DUNLOP (FR)	SP 2665 NB(12"x2)
		FIRESTONE	W01-R58-4073
113305	11120048	GOODYEAR	SPRINGRIDE 2B12-2457 / 9 2 3 2452
		CONTITECH	FD 412-18
		DUNLOP (FR)	SP 1025 NB

● BOLT / STUD   ● BLIND NUT   ⊗ COMBINATIONS STUD   ⊗ AIR INLET   ∅ DISTANCE TO CENTER

# 2B - 301

## STYLE



Reference	Order No	Description	⊗
114301	11120154	Rubber bellow only	
113339	11120065	Top Plate 3/8" (Blind nuts) Assembly Axis 139.7mm Bottom Plate 3/8" (Blind nuts) Assembly Axis 157.5mm	3/4-16"+1/4 NPT
113334	11120064	Top Plate 1/2"-13 (Bolts) Assembly Axis 157mm Bottom Plate 3/8"-16 (Blind nuts) Assembly Axis 157mm Bumper-97 mm	3/4-16"+N4 NPT

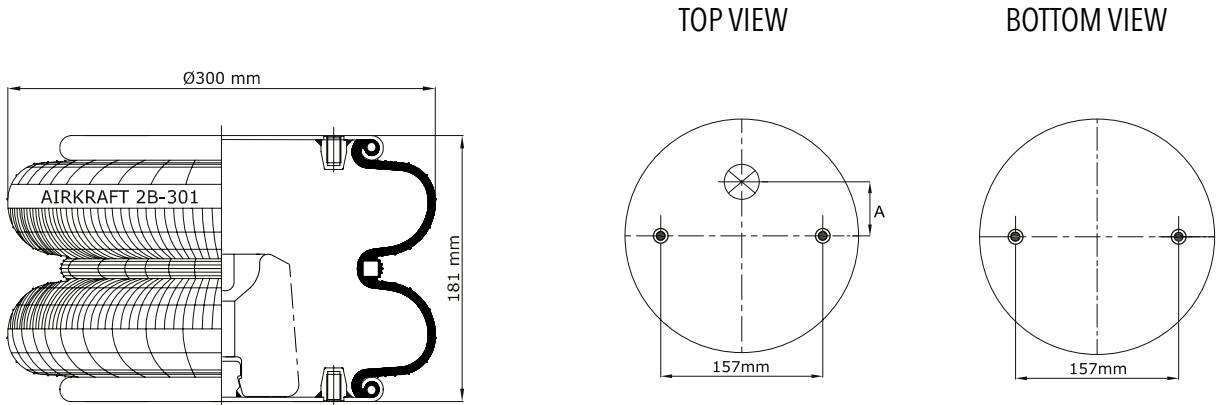
Reference	Order No	Adaptable Cross	
114301	11120154	FIRESTONE FLEX	22
		FIRESTONE	W01 358 0226
		FIRESTONE	095.0037
		FIRESTONE	095.0082
		PIRELLI	T22
		GOODYEAR FLEX	556 2 3 8210 / 578 9 2 3309
		PHOENIX	2B 22R
		CONTITECH	FD 330-22 607N
		VIBRACOUSTIC	V2B22R
113339	11120065	FIRESTONE	W01 358 7403
		GOODYEAR	2B12-307
		TAURUS	KF222-7403
		CONTITECH	FD 330-22 318 / 64488
		HENDRICKSON	B-1159/B-2883/12514-001

Reference	Order No	Adaptable Cross	
113334	11120064	FIRESTONE	W01 358 7410
		CONTITECH	FD 330-22 331 / 64270
		GOODYEAR	2B12-406 / 578 9 2 3309
		TAURUS	KF 222-7410
		HENDRICKSON	10170

● BOLT / STUD    ● BLIND NUT    ⊗ COMBINATIONS STUD    ⊗ AIR INLET

# 2B - 301

## STYLE



Reference	Order No	Description	⊗	A
114301	11120154	Rubber bellow only		
113306	11120049	Top/bottom plate M8 (Blind nuts)	G1	66 mm
113307	11120050	Top/bottom plate M8 (Blind nuts)	G1/2	66 mm
113310	11120053	Top/bottom plate M12 (Blind nuts)	G3/4	73 mm
113312	11120055	Top/bottom plate M10 (Blind nuts)	RP 1/4	73 mm
113313	11120056	Top/bottom plate M8 (Blind nuts)	RP 1/4	73 mm
113314	11120057	Top/bottom plate M8 (Blind nuts)	G1/4	66 mm
113477	11120113	Top/bottom plate M8 (Blind nuts)	M22X1.5	73 mm

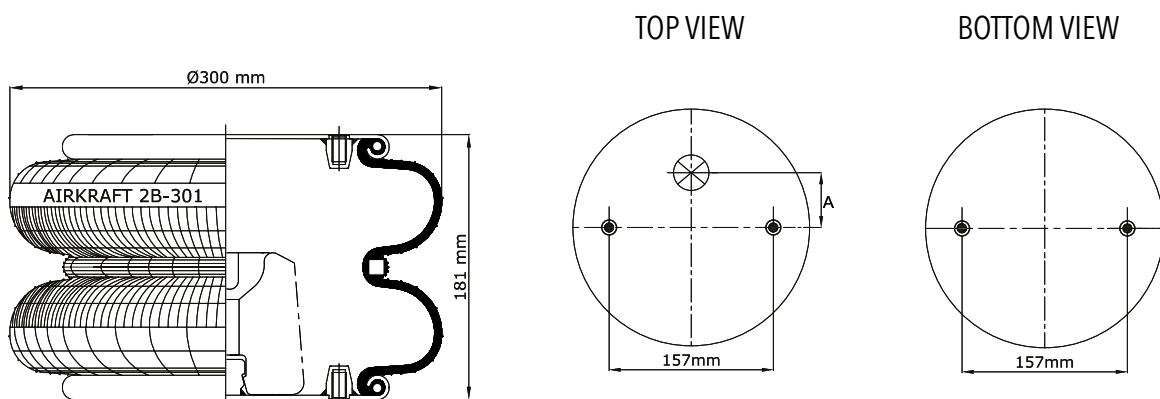
Reference	Order No	Adaptable Cross	
114301	11120154	FIRESTONE FLEX	22
		FIRESTONE	W01 358 0226
		FIRESTONE	095.0037
		FIRESTONE	095.0082
		PIRELLI	T22
		GOODYEAR	556 2 3 8210/578 9 2 3309
		PHOENIX	2B 22R
113306	11120049	CONTITECH	FD 330-22
		CONTITECH	2682 060000
		WEFORMA	WBZ 500-E1
		BOSCH	822419044

Reference	Order No	Adaptable Cross	
113307	11120050		
113310	11120053	PHOENIX	SP 2B 22R
113312	11120055	DUNLOP (FR)	12"x2 S 12201
113313	11120056	CONTITECH	FD 330-22 / 60031
		PHOENIX	SP 2B 22R
		WEFORMA	WBZ 500-E2
		BOSCH	822419064
		FESTO	EB-325-215
113314	11120057	WEFORMA	WBZ 500-E2
113477	11120113	FIRESTONE	22T3 / 095 .0257
		GOODYEAR	556 2 2 8442

● BOLT / STUD    ● BLIND NUT    ⊗ COMBINATIONS STUD    ⊗ AIR INLET    A DISTANCE TO CENTER

# 2B - 301

## STYLE



Reference	Order No	Description	⊗	A
113308	11120051	Top/bottom plate M8 (Blind nuts)	RP 1/4	73 mm
113309	11120052	Top/bottom plate M8 (Blind nuts)	G3/4	73 mm
113333	11120063	Top/bottom plate 3/8"-16 (Blind nuts) Bumper-97mm	1/4 NPT	73 mm
113490	11120123	Top/bottom plate 3/8"-16 (Blind nuts)	1/4 NPT	73 mm
113491	11120124	Top/bottom plate 3/8"-16 (Blind nuts)	3/4 NPT	73 mm
113492	11120125	Top/bottom plate 3/8"-16 (Blind nuts) Bumper-97mm	3/4 NPT	73 mm
113557	11120186	Top/bottom plate M12 (Bolts)	M22X1,5	73 mm

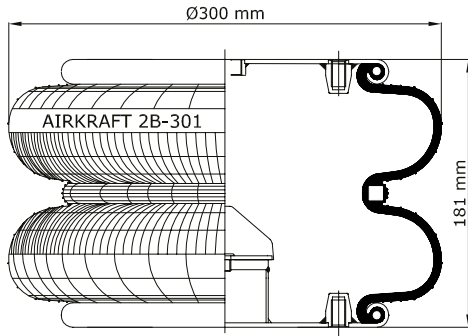
Reference	Order No	Adaptable Cross	
113308	11120051	FIRESTONE	W01 M58 6381
		CONTITECH	FD 330-22
		PHOENIX	2B 22R
		DUNLOP (FR)	S 12202 12X2
113309	11120052	FIRESTONE	W01 M58 6200
		NORGREN	PM/31122 (12x2)
113333	11120063	FIRESTONE	W01 358 7400
		CONTITECH	FD 330-22 313
		GOODYEAR	2B12-309
		GOODYEAR FLEX	578-92-3-309
		TAURUS	KF 222-7400
		HENDRICKSON	S-1013

Reference	Order No	Adaptable Cross	
113490	11120123	FIRESTONE	W01-358-7180
		CONTITECH	FD 330-22 363
		GOODYEAR	2B12 425
		GOODYEAR FLEX	578-92-3-309
113491	11120124	FIRESTONE	W01-358-7184
		GOODYEAR	2B12-429
		CONTITECH	FD330-22 780
113492	11120125	FIRESTONE	W01-358-7185
		GOODYEAR	2B12-318 / 578 9 2 3309
113557	11120186	FIRESTONE	22 T3
		GOODYEAR	556 2 2 8416

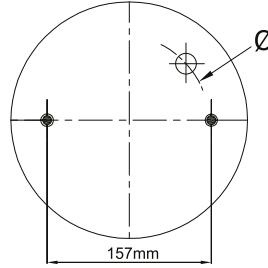
● BOLT / STUD   ● BLIND NUT   ⊗ COMBINATIONS STUD   ⊗ AIR INLET   A DISTANCE TO CENTER

# 2B - 301

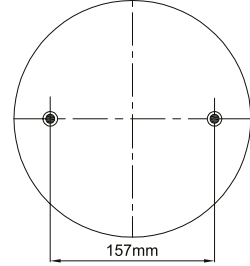
## STYLE



TOP VIEW



BOTTOM VIEW



Reference	Order No	Description	⊗	∅
114301	11120154	Rubber bellow only		
113329	11120061	Top/Bottom plate M10 (blind nuts)	M14X1.5	160 mm
113554	11120141	Top/Bottom plate M10 (blind nuts) Bumper 118 mm	1/4 NPT	160 mm

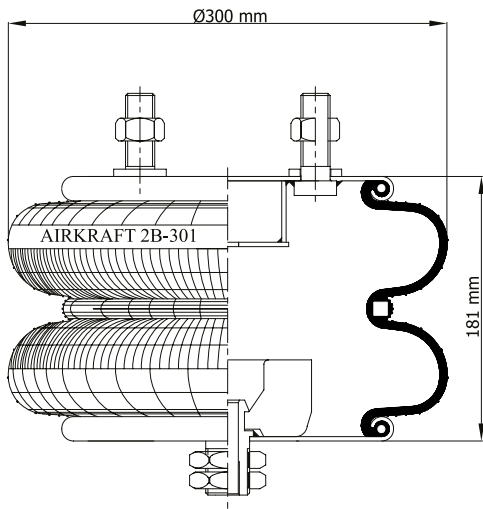
Reference	Order No	Adaptable Cross	
114301	11120154	FIRESTONE FLEX	22
		FIRESTONE	W01 358 0226
		FIRESTONE	095.0037
		FIRESTONE	095.0082
		PIRELLI	T22
		GOODYEAR	556 2 3 8210 / 578 9 2 3309
		PHOENIX	2B 22R
		VIBRACOUSTIC	V 2B22 R

Reference	Order No	Adaptable Cross	
113329	11120061	SCANIA	1510249
113554	11120141	SCANIA	1503813-7317

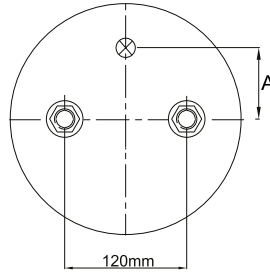
● BOLT / STUD    ● BLIND NUT    ⊗ COMBINATIONS STUD    ⊗ AIR INLET    ∅ DISTANCE TO CENTER

# 2B - 301

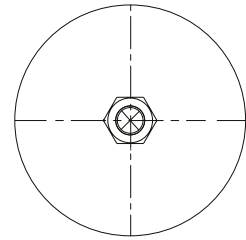
## STYLE



TOP VIEW



BOTTOM VIEW



Reference	Order No	Description	AIR INLET (Top Plate)		AIR INLET (Bottom Plate)
			⊗	A	⊗
114301	11120154	Rubber bellow only			
113556	11120142	Top plate M20X2.5 (Bolts) Bumper-52.5	M16X1.5	70	M30X1.5/M16X1.5

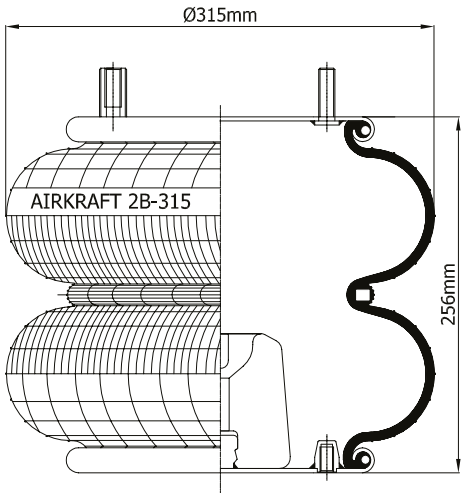
Reference	Order No	Adaptable Cross	
114301	11120154	FIRESTONE FLEX	22
		FIRESTONE	W01 358 0226
		FIRESTONE	095.0037
		FIRESTONE	095.0082
		PIRELLI	T22
		GOODYEAR	556 2 3 8210 / 578 9 2 3309
		PHOENIX	2B 22R
		CONTITECH	607 N
		VIBRACOUSTIC	V2 B22R

Reference	Order No	Adaptable Cross	
113556	11120142	PHOENIX	SP 2B 22-R1 51666
		CF GOMMA	T22B / ST200860C

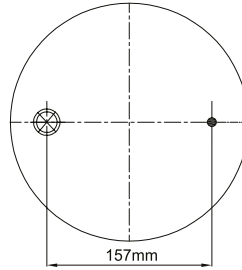
● BOLT / STUD    ● BLIND NUT    ⊗ COMBINATIONS STUD    ⊗ AIR INLET

# 2B - 315

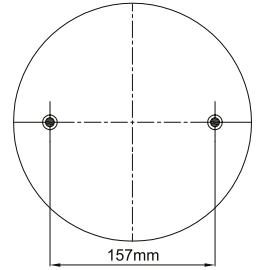
## STYLE



TOP VIEW



BOTTOM VIEW



Reference	Order No	Description	⊗
113320	11120058	Top Plate M12 (bolt), Bottom plate M10 (blindnuts), Bumper (97mm)	M20X1,5 - M12X1.5

Reference	Order No	Adaptable Cross	
113320	11120058	PHOENIX	SP 2B 22Ra-2
		Truck in Turkey	
		HENDRICKSON	HS 507906/P

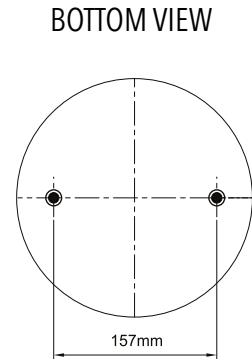
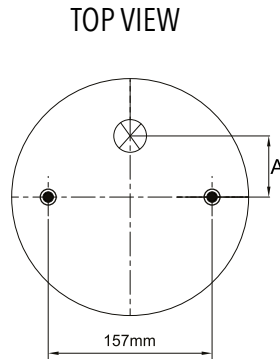
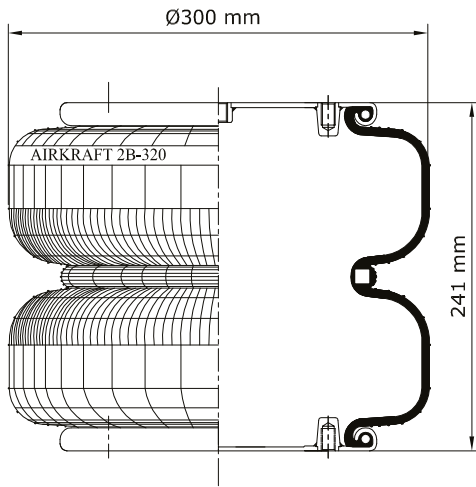
Reference	Order No	Adaptable Cross

● BOLT / STUD   ● BLIND NUT   ⊗ COMBINATIONS STUD   ⊗ AIR INLET



# 2B - 320

## STYLE



Reference	Order No	Description	⊗	A
114302	11120155	Rubber bellow only		
113311	11120054	Top/bottom plate 3/8-16 (Blind nuts)	Rp 1/4	center
113316	11120177	Top/bottom plate 3/8-16 (Blind nuts)	1/4 NPT	73 mm
113493	11120178	Top/bottom plate 3/8-16 (Blind nuts)	1/4 NPT	center
113494	11120179	Top/bottom plate 3/8-16 (Blind nuts)	3/4 NPT	73 mm
113325	11120059	Top/bottom plate M8 (Blind nuts)	M22X1.5	73 mm
113326	11120060	Top/bottom plate M8 (Blind nuts)	G 3/4	73 mm
113342	11120067	Top/bottom plate M10 (Blind nuts) Bottom assembly axis 90 to top assembly axis	M12X1.5	center

Reference	Order No	Adaptable Cross	
114302	11120155	FIRESTONE	W01 358 0259
		FIRESTONE FLEX	22-1,5 / 095.0092
		GOODYEAR FLEX	556 2 3 8328
		GOODYEAR FLEX	578 9 2 3310
113311	11120054	FIRESTONE	W01 358 7440
		DUNLOP (FR)	S12280
		GOODYEAR	2B12-305
113316	11120177	FIRESTONE	W01-358-7444
		GOODYEAR	2B12-416 / 2B12-446
		CONTITECH	FD330-30 369
		HENDRICKSON	S9830
113494	11120179	GOODYEAR	2B12-419
		FIRESTONE	W01-358-7442
		CONTITECH	FD330-30 371

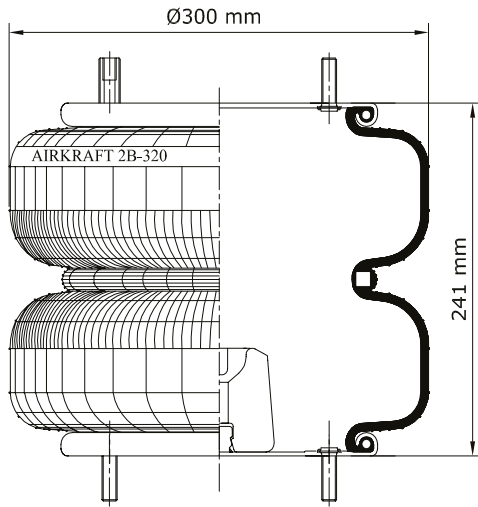
Reference	Order No	Adaptable Cross	
113493	11120178	FIRESTONE	W01-358-7443
		DUNLOP (FR)	S12280
		GOODYEAR	2B12-305 / 578 9 2 3310
		CONTITECH	FD330-30 323
		HENDRICKSON	S13035
113325	11120059	FIRESTONE	22-1.5 T3 / 095.0258
113326	11120060	GOODYEAR	556 2 2 8634
113342	11120067	DUNLOP (FR)	12"x2
		FIRESTONE	W01-M58-6875

● BOLT / STUD   ● BLIND NUT   ⊗ COMBINATIONS STUD   ⊗ AIR INLET

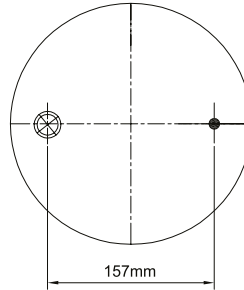


# 2B - 320

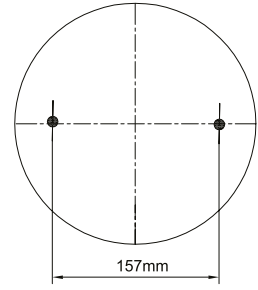
## STYLE



TOP VIEW



BOTTOM VIEW



Reference	Order No	Description	⊗
114302	11120155	Rubber bellow only	
113341	11120066	Top/bottom plate 1/2"-13 UNC (Bolts) Bumper -90 mm	3/4-16 NPT+1/4 NPT
113343	11120068	Top plate 1/2"-13 UNC (Bolt) Bottom plate 3/8"-16 (Blind nuts) Bumper -90 mm	3/4-16 NPT+1/4 NPT
113545	11120134	Top plate 1/2"-13 UNC (Bolt) Bottom plate 3/8"-16 (Blind nuts) Bumper -97 mm	3/4-16 NPT+1/4 NPT

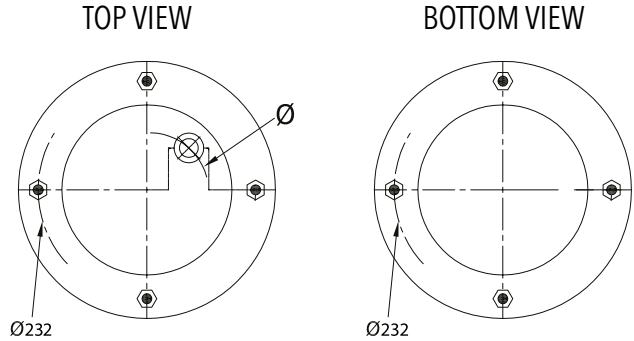
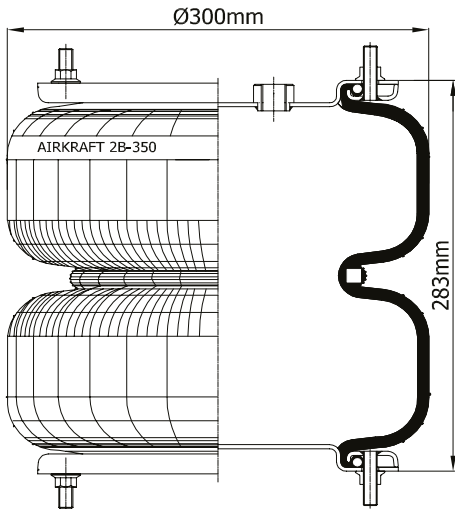
Reference	Order No	Adaptable Cross	
114302	11120155	FIRESTONE	W01 358 0259
		FIRESTONE	22-1,5 / 095.0092
		GOODYEAR	556 2 3 8328
		GOODYEAR	578 92 3 310
113341	11120066	FIRESTONE	W01 358 7555
		CONTITECH	FD 331-26 480
		GOODYEAR	2B12-440 / 578 9 2 3315

Reference	Order No	Adaptable Cross	
113343	11120068	FIRESTONE	W01 358 7550
		CONTITECH	FD 331-26 541
		GOODYEAR	2B12-346
113545	11120134	FIRESTONE FLEX	228-1,5
		FIRESTONE	W01 358 7636

● BOLT / STUD    ● BLIND NUT    ⊗ COMBINATIONS STUD    ⊗ AIR INLET

# 2B - 350 / HYD

## STYLE



Reference	Order No	Description	⊗	∅
<b>Two Ply Bellows</b>				
114304	11120156	Rubber bellows only		
113330	11120062	Top/Bottom plate M10 (bolts)	M16x1,5	120mm
113332	11120215	Top/Bottom plate M10 (bolts), Bumper (120mm)	M16x1,5	120mm
<b>High Strength Bellows - Four Ply</b>				
113331	11120237	Top/Bottom plate M10 (bolts)	M16x1,5	120mm

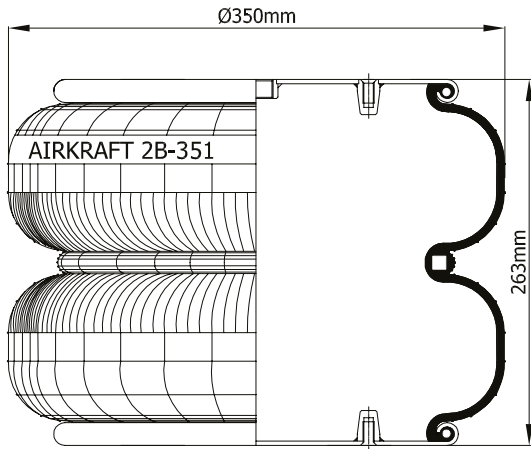
Reference	Order No	Adaptable Cross	
114304	11120156	DUNLOP (FR)	SP 2770/12X2
113330	11120062	DUNLOP (FR)	SP 2782 NB/12X2 A.NB
113332	11120215		

Reference	Order No	Adaptable Cross
113331	11120237	

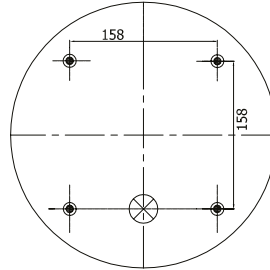
● BOLT / STUD    ● BLIND NUT    ⊗ COMBINATIONS STUD    ⊗ AIR INLET    ∅ DISTANCE TO CENTER

# 2B - 351

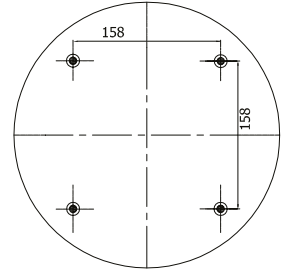
## STYLE



TOP VIEW



BOTTOM VIEW



Reference	Order No	Description	⊗
113507	11120132	Top/Bottom Plate M8 (Blind nuts)	M22x1.5

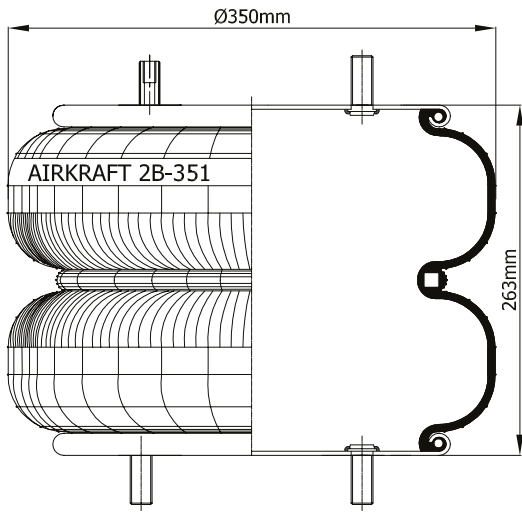
Reference	Order No	Adaptable Cross	
113507	11120132	FIRESTONE	233-2 T2 095.0508
		GOODYEAR	556 2 2 8725
		GOODYEAR FLEX	556 2 3 8338

Reference	Order No	Adaptable Cross

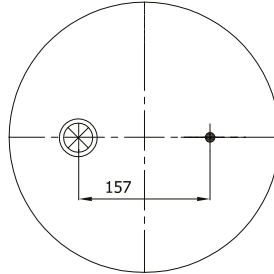
● BOLT / STUD    ● BLIND NUT    ⊗ COMBINATIONS STUD    ⊗ AIR INLET

# 2B - 351

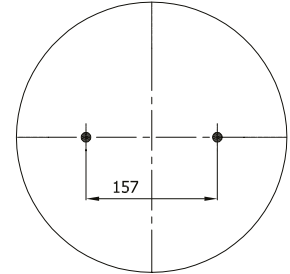
## STYLE



TOP VIEW



BOTTOM VIEW



Reference	Order No	Description	⊗
113478	11120114	Top Bottom Plate M12 (Bolts)	M18X2.5+M12X1.5

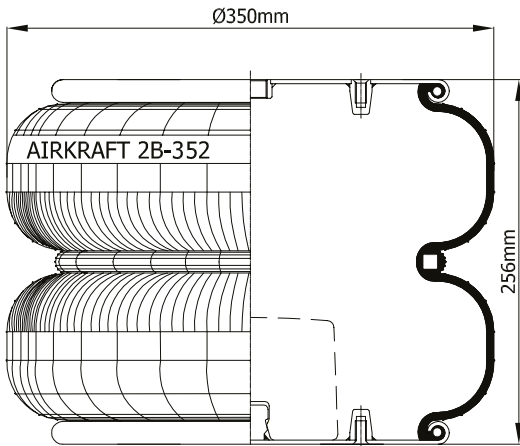
Reference	Order No	Adaptable Cross	
113478	11120114	FIRESTONE	233-2 T2 095.0362
		GOODYEAR	556 2 2 8647
		GOODYEAR FLEX	556 2 3 8338

Reference	Order No	Adaptable Cross

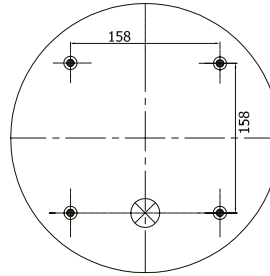
● BOLT / STUD    ● BLIND NUT    ⊗ COMBINATIONS STUD    ⊗ AIR INLET

# 2B - 352

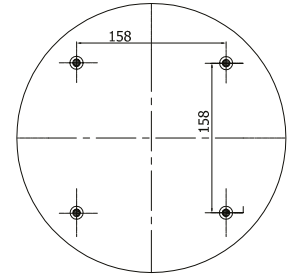
## STYLE



TOP VIEW



BOTTOM VIEW



Reference	Order No	Description	⊗
113479	11120115	Top / Bottom Plate 3/8"-16 UNC (Blind nuts) Bumper-78 mm	3/4 NPT-14
113480	11120180	Top / Bottom Plate 3/8"-16 UNC (Blind nuts) Bumper-91 mm	1/4 NPT-18
113499	11120127	Top / Bottom Plate 3/8"-16 UNC (Blind nuts)	1/4 NPT-18
113500	11120128	Top / Bottom Plate 1/2"-13 UNC (Bolts) Bumper-91 mm	1/4 NPT

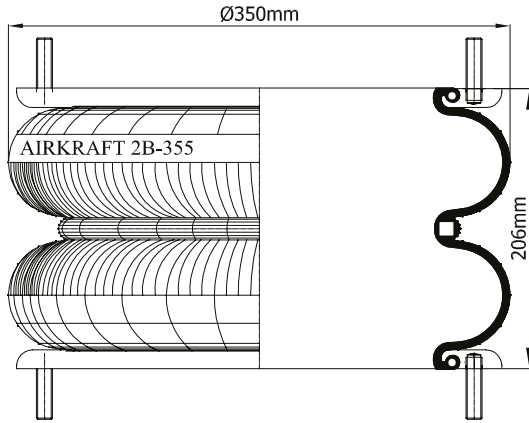
Reference	Order No	Adaptable Cross	
113479	11120115	FIRESTONE	W01-358-6805
		CONTITECH	FD 530-30 532 / 707
		GOODYEAR	2B14-462
113480	11120180	FIRESTONE	W01-358-6801
		CONTITECH	FD 530-30 451 / 161373
		GOODYEAR	2B14-365 / 578 9 2 3356
		GOODYEAR	2B14-361
		GOODYEAR	2B14-452

Reference	Order No	Adaptable Cross	
113499	11120127	FIRESTONE	W01-358-6800
		CONTITECH	FD 530-30 518 / 161374
		GOODYEAR	2B14-363
113500	11120128	FIRESTONE	W01-358-6808
		CONTITECH	FD 530-30 519 / 161375

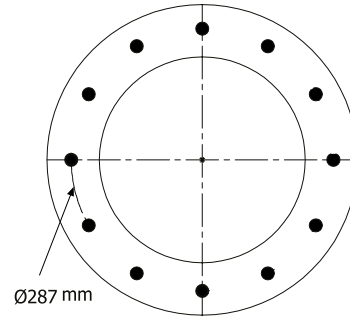
● BOLT / STUD   ● BLIND NUT   ⊗ COMBINATIONS STUD   ⊗ AIR INLET

# 2B - 355

## STYLE



TOP & BOTTOM VIEW



Reference	Order No	Description
114450	11120161	Rubber bellow only
113548	11120137	Top / Bottom Side Flange (Steel) 12XM10

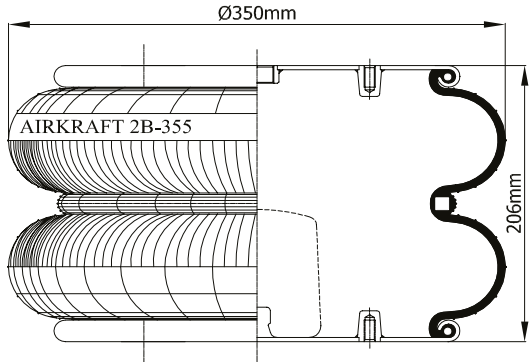
Reference	Order No	Adaptable Cross
114450	11120161	FIRESTONE FLEX 21
		FIRESTONE 21 - 095.0035
		FIRESTONE W01-358-0213
		PHOENIX 2B 34R
		GOODYEAR FLEX 2B 14 / 578 9 2 3353
		TAURUS F 221-300
		VIBRACOUSTIC V2B34R

Reference	Order No	Adaptable Cross
113548	11120137	FIRESTONE 095.0038
		GOODYEAR 556 2 3 8411
		GOODYEAR FLEX 556 2 3 8329/ 578 9 2 3353

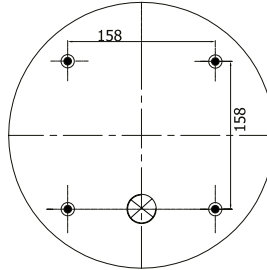
● BOLT / STUD    ● BLIND NUT    ⊗ COMBINATIONS STUD    ⊗ AIR INLET    ∅ DISTANCE TO CENTER

# 2B - 355

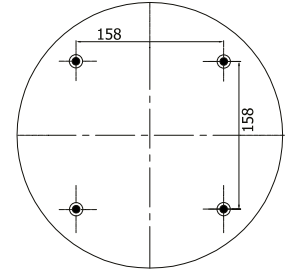
## STYLE



TOP VIEW



BOTTOM VIEW



Reference	Order No	Description	⊗
<b>Two Ply Bellows</b>			
114450	11120161	Rubber bellow only	
113466	11120108	Top/bottom plate 3/8"-16 UNC (Blind nuts) Bumper 91 mm	1/4 NPT
113495	11120181	Top/bottom plate 3/8"-16 UNC (Blind nuts)	1/4 NPT
113496	11120182	Top/bottom plate 3/8"-16 UNC (Blind nuts)	3/4 NPT
113497	11120183	Top/bottom plate 3/8"-16 UNC (Blind nuts) Bumper 91 mm	3/4 NPT
113503	11120184	Top/bottom plate 3/8"-16 UNC (Blind nuts) Bumper 112 mm	1/4 NPT
113450	11120098	Top/bottom plate M8 (Blind nuts)	G 3/4
113453	11120101	Top/bottom plate M8 (Blind nuts)	G 1
113455	11120103	Top/bottom plate M8 (Blind nuts)	G 1/2
113459	11120104	Top/bottom plate M10 (Blind nuts)	G 1/2
113558	11120189	Top/bottom plate M8 (Blind nuts)	M22x1,5

Reference	Order No	Adaptable Cross	
114450	11120161	FIRESTONE FLEX	21 - 095.0035
		FIRESTONE FLEX	W01-358-0213
		PHOENIX	2B 34R
		GOODYEAR	2B 14 / 578 9 2 3353
		TAURUS	F221-300
		VIBRACOUSTUC	V2B34R
113466	11120108	FIRESTONE	W01 358 7136
		CONTITECH	FD 530-22 321
		GOODYEAR	2B14 356 / 578 9 2 3351
		GOODYEAR	2B14 356 / 578 9 2 3353
		HENDRICKSON	S1080
113495	11120181	FIRESTONE	W01-358-7145
		CONTITECH	FD 530-22 374
		GOODYEAR	2B14-354 / 578 9 2 3353
		HENDRICKSON	S13038
113496	11120182	FIRESTONE	W01-358-7143
		GOODYEAR	2B14-352

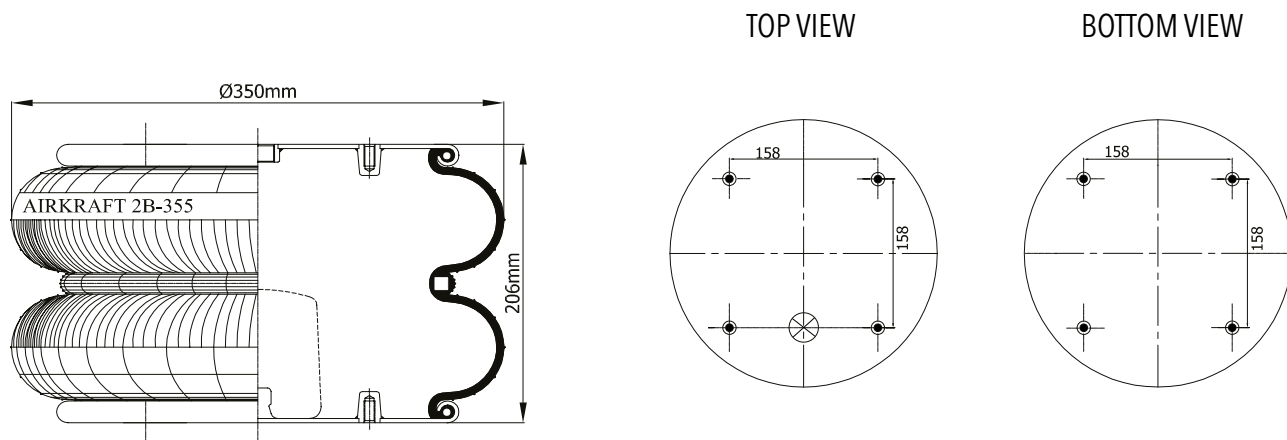
Reference	Order No	Adaptable Cross	
113503	11120184	FIRESTONE	W01-358-7146
		CONTITECH	FD 530-22 342
		GOODYEAR	2B14-355
		HENDRICKSON	S13046
113450	11120098	PHOENIX	SP 2B 34R
		VIBRACOUSTIC	VSP2B34R
113453	11120101	CONTITECH	FD 530-22 / 2682 075 000
		PIRELLI	1938
		WEFORMA	WBZ 600-E1
		BOSCH	822419045
113455	11120103		
113459	11120104		
113558	11120189	FIRESTONE	W01-M58 7501
		GOODYEAR	2B 14 - 465
113497	11120183	FIRESTONE	W01-358-7144
		GOODYEAR	2B14-353

● BOLT / STUD    ● BLIND NUT    ⊗ COMBINATIONS STUD    ⊗ AIR INLET



# 2B - 355/HYD

## STYLE



Reference	Order No	Description	⊗
<b>Two Ply Bellows</b>			
113460	11120105	Top/bottom plate M8 (Blind nuts)	G 1/4
113454	11120102	Top/bottom plate 1/2"-13 UNC (Bolt)	1/4 - 18 NPT
113464	11120107	Top/bottom plate 1/2"-13 UNC (Bolt) Bumper 90mm	1/4 NPT
<b>High Strength Bellows - Four Ply</b>			
114452	11120163	Rubber bellow only	
113461	11120106	Top/bottom plate 3/8"-16 UNC (Blind nuts)	1/4 - 18 NPT
113452	11120100	Top/bottom plate 3/8"-16 UNC (Blind nuts)	3/4 - 14 NPT
113498	11120126	Top/bottom plate 3/8"-16 UNC (Blind nuts) Bumper 112mm	1/4 - 18 NPT

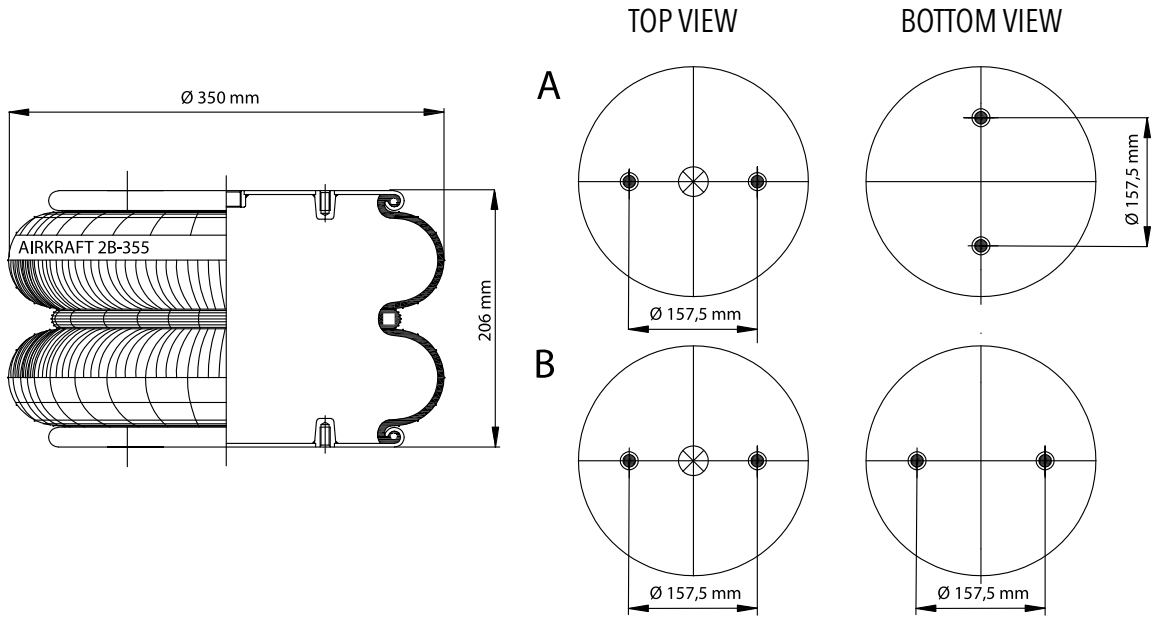
Reference	Order No	Adaptable Cross	
113460	11120105	CONTITECH	FD 530-22 61362
		WEFORMA	WBZ 600-E2
		BOSCH	822419065
		FESTO	EB-385-230
113454	11120102	FIRESTONE	21T2 W01 358 7135
		CONTITECH	FD 530-22 311
		GOODYEAR	2B 14-360/556 2 2 8554
		HENDRICKSON	12514-014
113464	11120107	FIRESTONE	W01 358 7140
		FIRESTONE	W01 681 7110
		CONTITECH	FD 530-22 316
		GOODYEAR	2B14-359
		HENDRICKSON	B-3184

Reference	Order No	Adaptable Cross	
114452	11120163	FIRESTONE FLEX	205
		FIRESTONE	W01 358 7929
113461	11120106	FIRESTONE	W01 358 7208
113452	11120100	FIRESTONE	W01-358 7224
		CONTITECH	FD 530-22 2682
		PIRELLI	1938
113498	11120126	FIRESTONE	W01 358 7221

● BOLT / STUD    ● BLIND NUT    ⊗ COMBINATIONS STUD    ⊗ AIR INLET

# 2B - 355

## STYLE



Reference	Order No	Description	
113504	11120202	Top/Bottom plate M12x1,75 (Blind Nuts) (Type A)	M22x1,5
113505	11120252	Top/Bottom plate M12x1,75 (Bold) (Type B)	M22x1,5

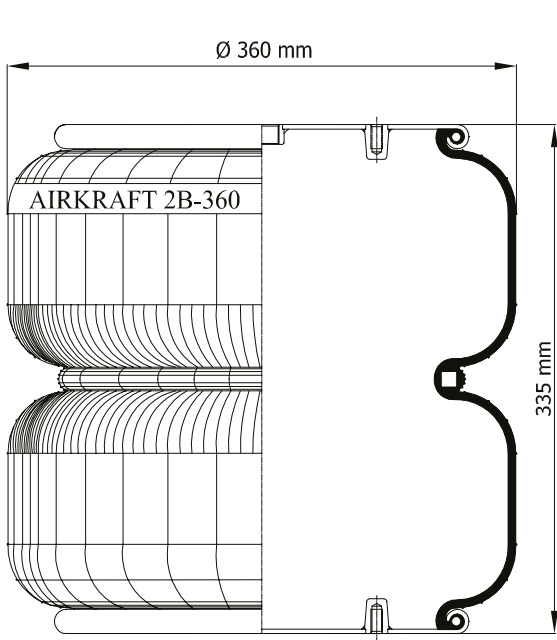
Reference	Order No	Adaptable Cross
113504	11120202	ISUZU
113505	11120252	

Reference	Order No	Adaptable Cross

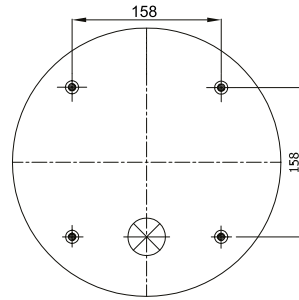
● BOLT / STUD   ● BLIND NUT   ⊗ COMBINATIONS STUD   ⊗ AIR INLET

# 2B - 360

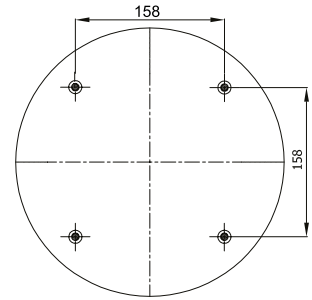
## STYLE



TOP VIEW



BOTTOM VIEW



Reference	Order No	Description	⊗
114451	11120162	Rubber bellow only	
113451	11120099	Top/bottom plate M8 (Blind nuts)	G3/4

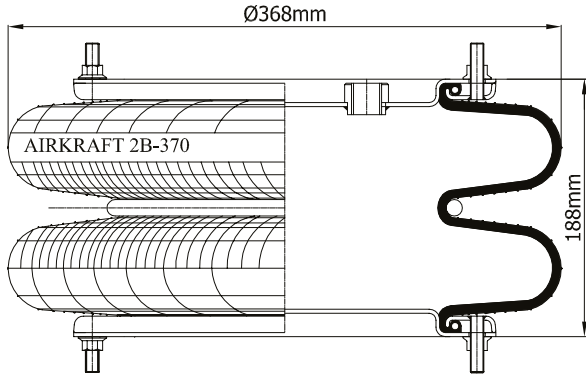
Reference	Order No	Adaptable Cross	
114451	11120162	PHOENIX	2 B 34 RB

Reference	Order No	Adaptable Cross	
113451	11120099	PHOENIX	SP 2 B 34 RB

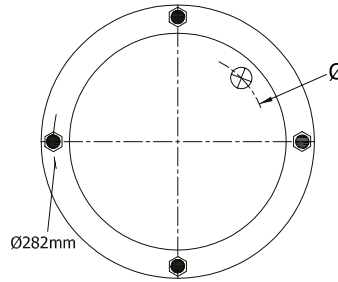
● BOLT / STUD   ● BLIND NUT   ⊗ COMBINATIONS STUD   ⊗ AIR INLET

# 2B - 370

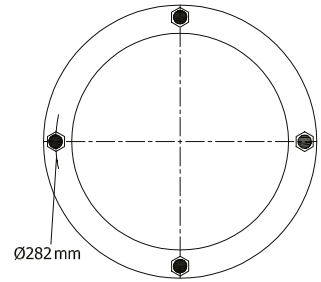
## STYLE



TOP VIEW



BOTTOM VIEW



Reference	Order No	Description	⊗	∅
114350	11120157	Rubber bellow only		
113353	11120072	Top/Bottom plate M10 (bolts)	M22X1,5	center
113354	11120073	Top/Bottom plate M10 (bolts)	M22X1,5	170mm
113355	11120074	Top/Bottom side only clamp ring M10		
113358	11120077	Top/Bottom plate M10 (bolts)	RP1/2	center
113359	11120078	Top/Bottom plate M10 (bolts)	RP1/2	170 mm

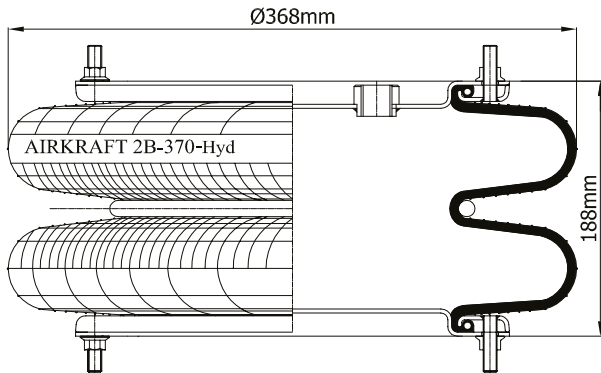
Reference	Order No	Adaptable Cross	
114350	11120157	CONTITECH	FD 614-26
		FIRESTONE FLEX	14.5 x 2
		DUNLOP (FR)	SP 1039(14" 1/2x2)
113353	11120072	CONTITECH	FD 614-26
		DUNLOP (FR)	14" 1/2x2
113354	11120073	CONTITECH	FD 614-26
		DUNLOP (FR)	14"1/2 x 2/ SP 1988
113355	11120074	CONTITECH	FD 614-26
		DUNLOP (FR)	SP 1041 / 14" 1/2x2

Reference	Order No	Adaptable Cross	
113358	11120077	CONTITECH	FD 614-26
		DUNLOP (FR)	SP 1556
		WEFORMA	WBZ-G 600
		NORGREN	M/31142 (14"1/2x2)
		FIRESTONE	W01R584064
		CF GOMMA	T21
113359	11120078	CONTITECH	FD 614-26
		DUNLOP (FR)	SP 1988

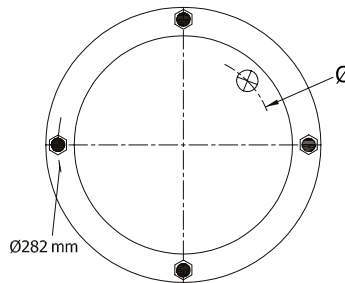
● BOLT / STUD    ● BLIND NUT    ⊗ COMBINATIONS STUD    ⊗ AIR INLET    ∅ DISTANCE TO CENTER

# 2B - 370 HYD

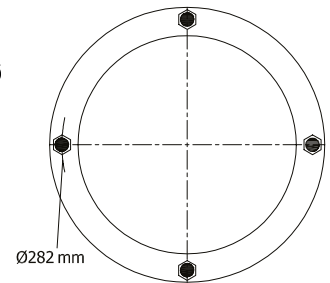
## STYLE



TOP VIEW



BOTTOM VIEW



Reference	Order No	Description	⊗	∅
<b>High Strength Bellows - Four Ply</b>				
114351	11120158	Rubber bellows only		
113350	11120069	Top/Bottom plate 8xM10 (bolts)	M22X1,5	center
113351	11120070	Top/Bottom plate 8xM10 (bolts)	M22X1,5	170mm
113352	11120071	Top/Bottom side only clamp ring 8xM10		
113356	11120075	Top/Bottom plate 8xM10 (bolts)	RP1/2	center
113357	11120076	Top/Bottom plate 8xM10 (bolts)	RP1/2	170mm
113361	11120079	Top/Bottom side only clamp ring 12XM8 bolts		

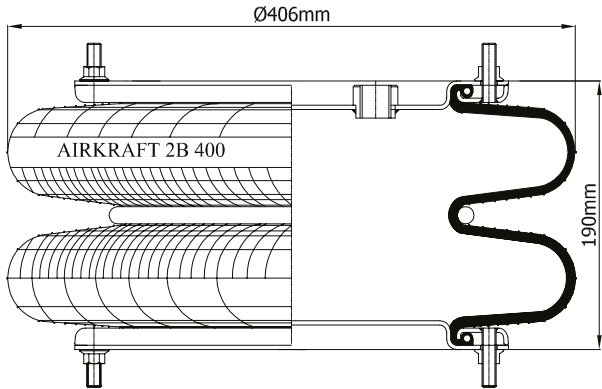
Reference	Order No	Adaptable Cross	
114351	11120158	CONTITECH	FD 614-26
		DUNLOP (FR)	14" 1/2 x 2RE
113350	11120069	CONTITECH	FD 614-26
		DUNLOP (FR)	14" 1/2 x 2RE
113351	11120070	CONTITECH	FD 614-26
		DUNLOP (FR)	14" 1/2 x 2RE
113352	11120071	CONTITECH	FD 614-26
		DUNLOP (FR)	14" 1/2 x 2RE

Reference	Order No	Adaptable Cross	
113356	11120075	CONTITECH	FD 614-26
		DUNLOP (FR)	14" 1/2 x 2RE
113357	11120076	CONTITECH	FD 614-26
		DUNLOP (FR)	14" 1/2 x 2RE
113361	11120079	CONTITECH	FD 614-26
		DUNLOP (FR)	SP 2599

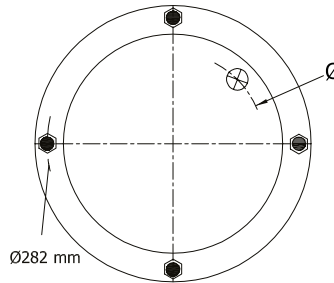
● BOLT / STUD   ● BLIND NUT   ⊗ COMBINATIONS STUD   ⊗ AIR INLET   ∅ DISTANCE TO CENTER

# 2B - 400

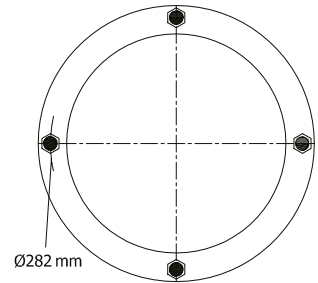
## STYLE



TOP VIEW



BOTTOM VIEW



Reference	Order No	Description	⊗	∅
114400	11120159	Rubber bellow only		
113403	11120085	Top/Bottom plate M10 (bolts)	M22X1,5	center
113404	11120086	Top/Bottom plate M10 (bolts)	M22X1,5	170mm
113405	11120087	Top/Bottom side only clamp ring M10		
113408	11120090	Top/Bottom plate M10 (bolts)	RP1/2	center
113409	11120091	Top/Bottom plate M10 (bolts)	RP1/2	170mm

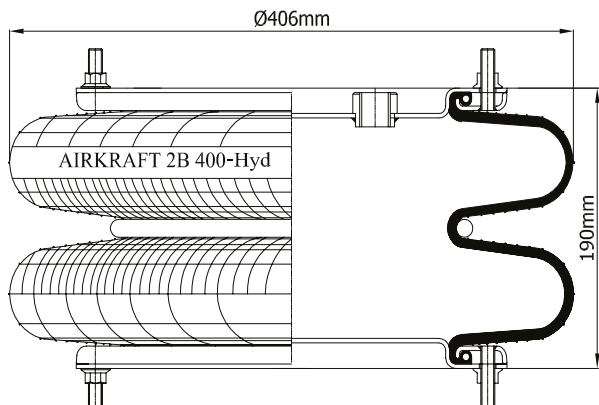
Reference	Order No	Adaptable Cross	
114400	11120159	DUNLOP (FR)	SP 1194 / 1998
113403	11120085	DUNLOP (FR)	16" x 2 SP 2340
113404	11120086	DUNLOP (FR)	16" x 2

Reference	Order No	Adaptable Cross	
113405	11120087		
113408	11120090	FIRESTONE	W01 R58 4067
		DUNLOP (FR)	16" x 2 SP 1557
113409	11120091		

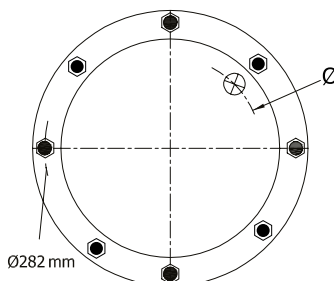
● BOLT / STUD    ● BLIND NUT    ⊗ COMBINATIONS STUD    ⊗ AIR INLET    ∅ DISTANCE TO CENTER

# 2B - 400HYD

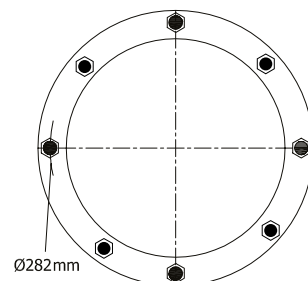
## STYLE



TOP VIEW



BOTTOM VIEW



Reference	Order No	Description	⊗	∅
<b>High Strength Bellows - Four Ply</b>				
114401	11120160	Rubber bellow only		
113400	11120082	Top/Bottom plate 8xM10 (bolts)	M22X1,5	center
113401	11120083	Top/Bottom plate 8xM10 (bolts)	M22X1,5	170mm
113402	11120084	Top/Bottom side only clamp ring 8xM10		
113406	11120088	Top/Bottom plate 8xM10 (bolts)	RP1/2	center
113407	11120089	Top/Bottom plate 8xM10 (bolts)	RP1/2	170mm
113411	11120092	Top/Bottom side only clamp ring 4XM10 bolts		

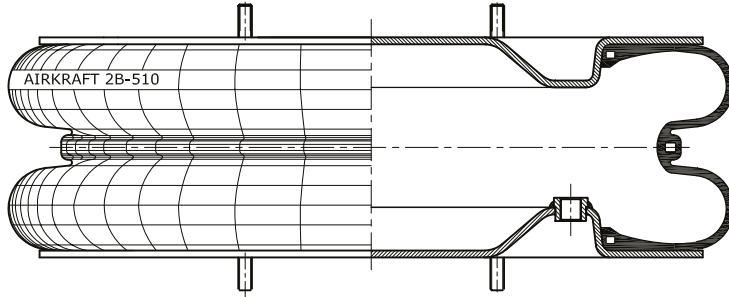
Reference	Order No	Adaptable Cross	
114401	11120160	DUNLOP (FR)	16" x 2 RE
113400	11120082	DUNLOP (FR)	16" x 2 RE
113401	11120083	DUNLOP (FR)	16" x 2 RE
113402	11120084	DUNLOP (FR)	16" x 2 RE

Reference	Order No	Adaptable Cross	
113406	11120088	DUNLOP (FR)	16" x 2 RE
113407	11120089	DUNLOP (FR)	16" x 2 RE
113411	11120092		

● BOLT / STUD   ● BLIND NUT   ⊗ COMBINATIONS STUD   ⊗ AIR INLET   ∅ DISTANCE TO CENTER

# 2B - 510

## STYLE



Reference	Order No	Description
114613	11120167	Rubber bellow only
113419	11120226	

Reference	Order No	Adaptable Cross	
114613	11120167	GOODYEAR	556 2 3 8064
		JARFLEX	6.13
113419	11120226	GOODYEAR	556 2 3 8064
		JARFLEX	6.13

Reference	Order No	Adaptable Cross

● BOLT / STUD    ● BLIND NUT    ⊗ COMBINATIONS STUD    ⊗ AIR INLET





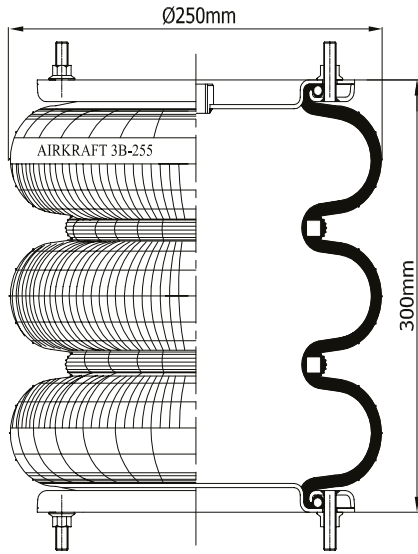




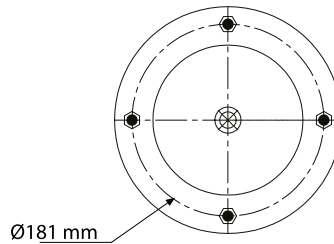


# 3B - 255

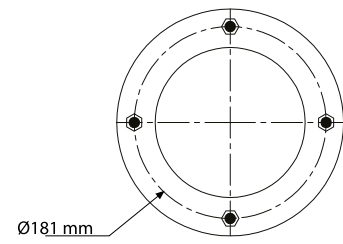
## STYLE



TOP VIEW



BOTTOM VIEW



Reference	Order No	Description	⊗
116005	11140061	Rubber bellow only	
115055	11140029	Top/Bottom plate M10 (bolts)	Rp 1/2
115056	11140030	Top/Bottom side only clamp ring M10	

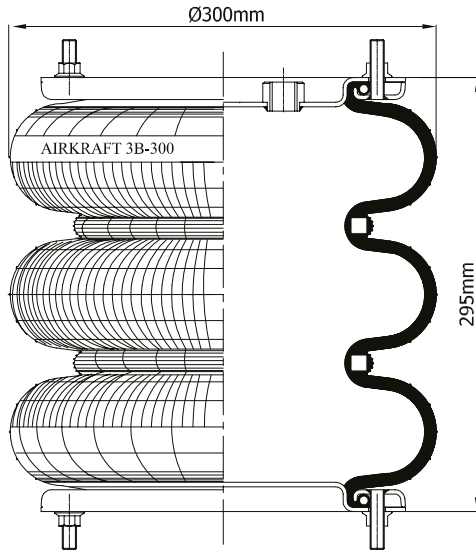
Reference	Order No	Adaptable Cross	
116005	11140061	DUNLOP (UK)	PNP 305450110
		FIRESTONE FLEX	10x3
115055	11140029	CONTITECH	FT 210-32 1/2 M10
		DUNLOP (FR)	SP 1539 (10"x 3)
		WEFORMA	WBD-G 450
		NORGREN	M/31103 (10"x 3)
		DUNLOP (FR)	SP 1015 (10"x 3)
		FIRESTONE	W01-R58 4059

Reference	Order No	Adaptable Cross	
115056	11140030	CONTITECH	FT 210-32
		DUNLOP (FR)	SP 1015 (10"x 3)

● BOLT / STUD   ● BLIND NUT   ⊗ COMBINATIONS STUD   ⊗ AIR INLET   Ø DISTANCE TO CENTER

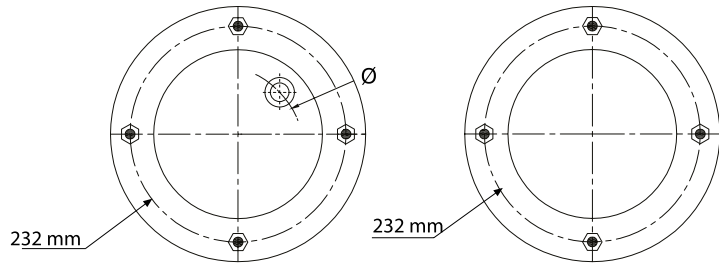
# 3B - 300

## STYLE



TOP VIEW

BOTTOM VIEW



Reference	Order No	Description	⊗	∅
116001	11140057	Rubber bellow only		
115003	11140001	Top/Bottom plate M10 (bolts)	RP1/2	center
115004	11140002	Top/Bottom plate M10 (bolts)	M16X1.5	120mm
115007	11140004	Top/Bottom side only clamp ring M10		
115014	11140010	Top plate M10 (25mm Bolts), Bottom plate M10 (78mm Bolts)	RP1/2	center
115006	11140097	Top/Bottom plate M10 (bolts), Bumper (120mm)	M16x1,5	120mm

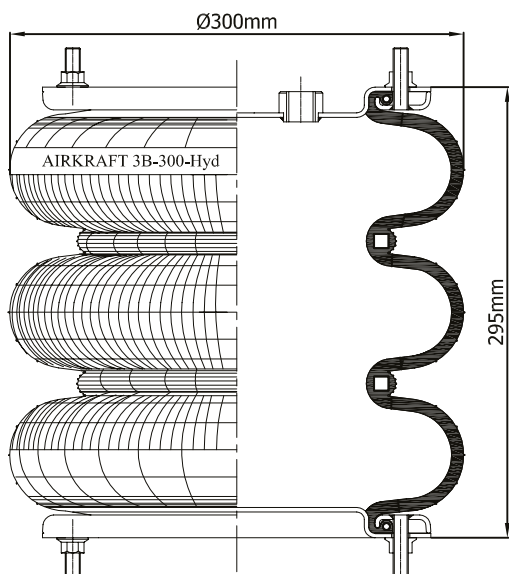
Reference	Order No	Adaptable Cross	
116001	11140057	DUNLOP (FR)	12"x 3 SP 259
		FIRESTONE FLEX	12x3
115003	11140001	CONTITECH	FT 412-32 / 66339
		DUNLOP (FR)	12"x 3 SP 1542 NB
		WEFORMA	WBD-G 550
		NORGREN	M/31123 (12"x3)
		FIRESTONE	W01 R58 4062
		GOODYEAR	SPRINGRIDE 3B12-2452
		GOODYEAR FLEX	SPRINGRIDE 578 9 3 3 2451
		CF GOMMA	T28B / 90559
		DUNLOP (UK)	PNP305520178
		115004	11140002
DUNLOP (FR)	12"x 3 SP 2666NB		
FIRESTONE	W01 R58 4037		
GOODYEAR	3B12-2455		

Reference	Order No	Adaptable Cross	
115007	11140004	CONTITECH	FT 412-32 S
		DUNLOP (FR)	SP 1033 NB
115014	11140010		
115006	11140097		

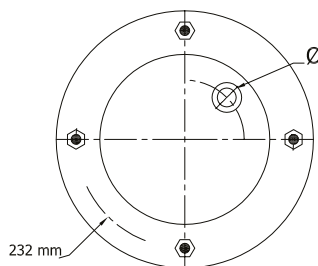
● BOLT / STUD    ● BLIND NUT    ⊗ COMBINATIONS STUD    ⊗ AIR INLET    ∅ DISTANCE TO CENTER

# 3B - 300HYD

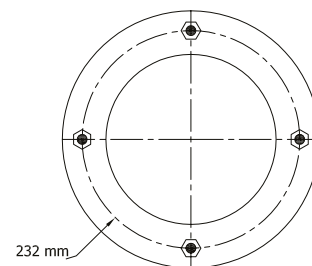
## STYLE



TOP VIEW



BOTTOM VIEW



Reference	Order No	Description	⊗	∅
<b>High Strength Bellows - Four Ply</b>				
116003	11140059	Rubber bellow only		
115005	11140003	Top/Bottom side only clamp ring 12XM8 bolts		
115011	11140008	Top/Bottom plate M10 (bolts)	RP1/2	center
115012	11140009	Top/Bottom plate M10 (bolts)	M16X1.5	120mm
115013	11140069	Top/Bottom side only clamp ring M10(bolts)		

Reference	Order No	Adaptable Cross	
116003	11140059	CONTITECH	FT 412-32 S
		DUNLOP (FR)	12"x 3 RE
115005	11140003	CONTITECH	FT 412-32 S
		DUNLOP (FR)	12"x 3 RE SP 2597 NB
115011	11140008	CONTITECH	FT 412-32 S
		DUNLOP (FR)	12"x 3 RE SP 1542 NB
115012	11140009	CONTITECH	FT 412-32 S
		DUNLOP (FR)	12"x 3 RE SP 2666 NB
115013	11140069	CONTITECH	FT 412-32 S
		DUNLOP (FR)	12"x 3 RE SP 2271 NB

Reference	Order No	Adaptable Cross

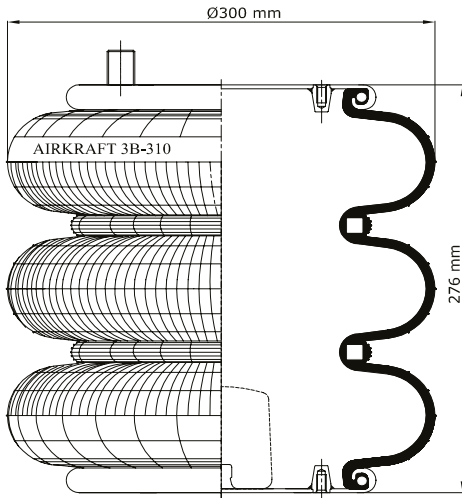
● BOLT / STUD   ● BLIND NUT   ⊗ COMBINATIONS STUD   ⊗ AIR INLET   ∅ DISTANCE TO CENTER



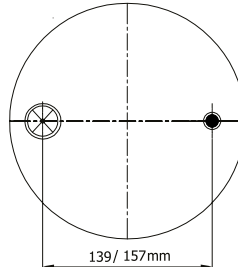


# 3B - 310

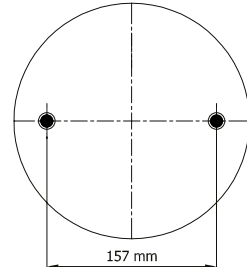
## STYLE



TOP VIEW



BOTTOM VIEW



Reference	Order No	Description	
116008	11140062	Rubber bellow only	
115016	11140012	Top Plate 3/8"-16 (Blind nuts) Assembly Axis- 139.7 mm Bottom Plate 3/8"-16 (Blind nuts) Assembly Axis- 157.5 mm Bumper - 112 mm	3/4-16+1/4 NPT
115034	11140023	Top Plate 3/8"-16 (Blind nuts) Assembly Axis- 139.7 mm Bottom Plate 3/8"-16 (Blind nuts) Assembly Axis- 157.5 mm Bumper - 112 mm	3/4-16+1/4 NPT
115072	11140070	Top Plate 3/8"-16 (Blind nuts) Assembly Axis- 139.7 mm Bottom Plate 3/8"-16 (Blind nuts) Assembly Axis- 157.5 mm Bumper - 120 mm	3/4-16+1/4 NPT
115087	11140087	Top Plate 3/8"-16 (Blind nuts) Assembly Axis- 139.7 mm Bottom Plate 3/8"-16 (Blind nuts) Assembly Axis- 157.5 mm Bumper - 112 mm	3/4-16+1/4 NPT

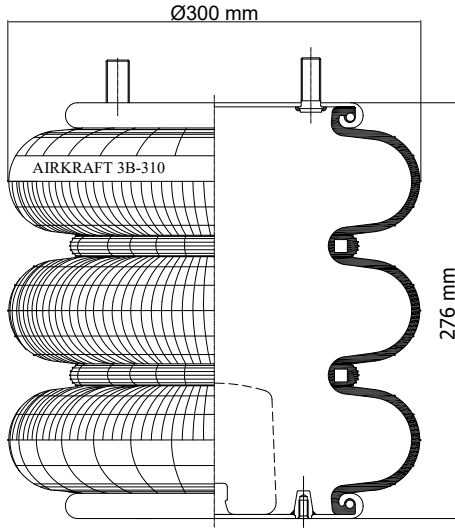
Reference	Order No	Adaptable Cross	
116008	11140062	FIRESTONE	38R/38D
		FIRESTONE	095.0047
		GOODYEAR FLEX	556 3 3 8334
		GOODYEAR FLEX	578 93 3 100
115016	11140012	FIRESTONE	W01 358 8032
		CONTITECH	FT 330-29 413
		GOODYEAR	3B12 - 319
115034	11140023	FIRESTONE	W01-358-8008
		FIRESTONE	W01-358-8025
		FIRESTONE	W01-358-8028
		CONTITECH	FT 330-29 431/469
		GOODYEAR	3B12-300

Reference	Order No	Adaptable Cross	
115072	11140070	FIRESTONE	W01-358-7994
		CONTITECH	FT 330-29 546
		GOODYEAR	3B12-328
115087	11140087	FIRESTONE	W01-358-7995
		CONTITECH	FT 330-29 547
		GOODYEAR	3B12-315/329

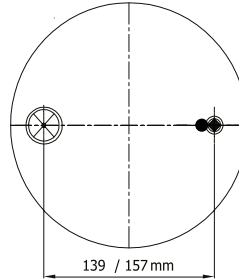
● BOLT / STUD    ● BLIND NUT    ⊗ COMBINATIONS STUD    ⊗ AIR INLET

# 3B - 310

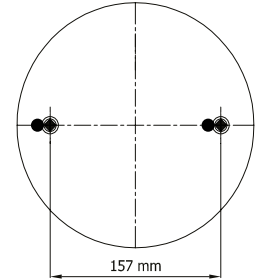
## STYLE



TOP VIEW



BOTTOM VIEW



Reference	Order No	Description	
115037	11140071	Top Plate 1/2"-13 (Bolts) (Assembly Axis - 157,5mm) Bottom Plate 3/8"-16 (Blind nuts) Bumper- 112 mm	3/4--16+1/4 NPT ☉ ☉
115036	11140072	Top Plate 1/2"-13 (Bolts) (Assembly Axis - 139,7mm) Bottom Plate 3/8"-16 (Blind nuts) Bumper- 112 mm	3/4--16+1/4 NPT ☉ ☉

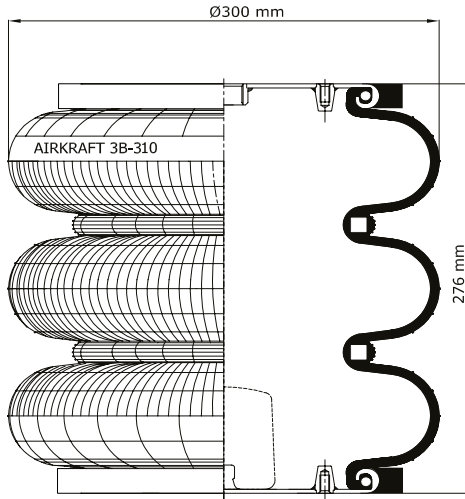
Reference	Order No	Adaptable Cross	
115037	11140071	FIRESTONE	W01-358-7996
		CONTITECH	FT 330-29 520 / 723
		GOODYEAR	3B12-335

Reference	Order No	Adaptable Cross	
115036	11140072	FIRESTONE	W01 358 8016
		CONTITECH	FT 330-29 433

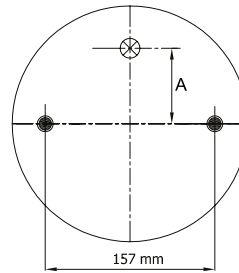
● BOLT / STUD    ● BLIND NUT    ☉ COMBINATIONS STUD    ⊗ AIR INLET

# 3B - 310

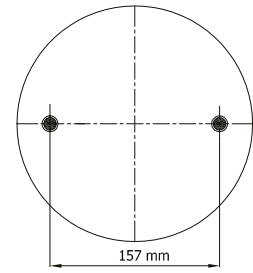
## STYLE



TOP VIEW



BOTTOM VIEW



Reference	Order No	Description	⊗	A
116008	11140062	Rubber bellow only		
115023	11140015	Top / Bottom Plate M8 (Blind nuts)	M22X1.5	73 mm
115027	11140017	Top / Bottom Plate 3/8"-16 (Blind nuts)	1/4 NPT	73 mm
115033	11140073	Top / Bottom Plate 3/8"-16 (Blind nuts)	3/4 NPT	73 mm
115035	11140074	Top / Bottom Plate 3/8"-16 (Blind nuts) Bumper 112 mm	1/4 NPT	73 mm

Reference	Order No	Adaptable Cross	
116008	11140062	FIRESTONE	38R/38D
		FIRESTONE	095.0047
		GOODYEAR FLEX	556 3 3 8334
		GOODYEAR FLEX	578 93 3 100
115023	11140015	FIRESTONE	38R T3 095.0274
		GOODYEAR	556 3 2 8401
115027	11140017	CONTITECH	FT 330-29 503
		CONTITECH	FT 330-29 702
		GOODYEAR	3B12-304
115033	11140073	FIRESTONE	W01-358-8013
		CONTITECH	FT 330-29 773
		GOODYEAR	3B12-305

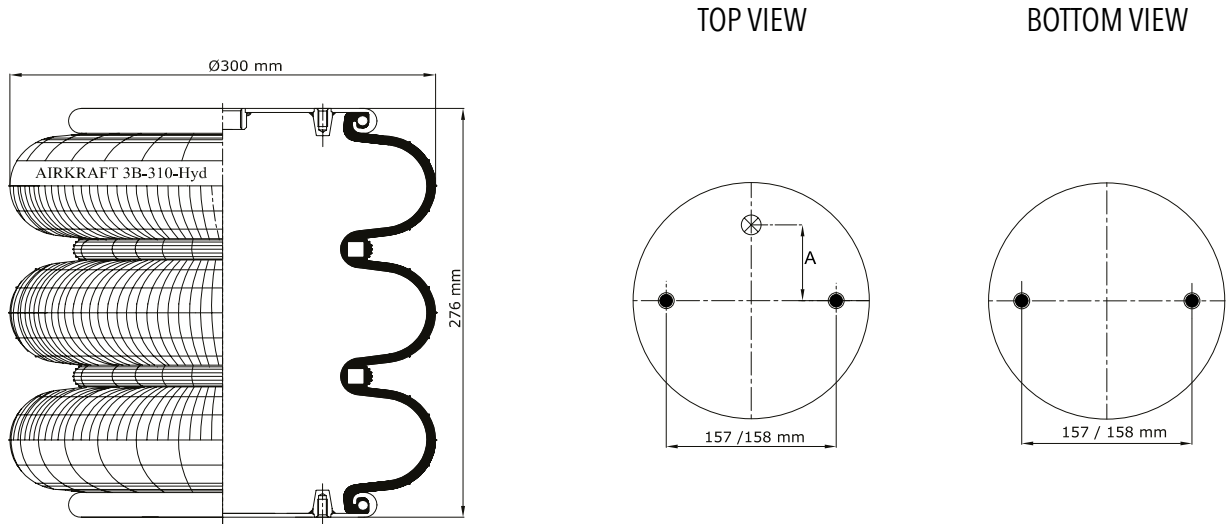
Reference	Order No	Adaptable Cross	
115035	11140074	CONTITECH	FT 330-29 498
		CONTITECH	FT 330-29 432
		FIRESTONE	W01 358 8030
		FIRESTONE	W01-358-8010
		GOODYEAR	3B12-301

● BOLT / STUD   ● BLIND NUT   ⊗ COMBINATIONS STUD   ⊗ AIR INLET   A DISTANCE TO CENTER



# 3B - 310HYD

## STYLE



Reference	Order No	Description	⊗	A
<b>High Strength Bellows - Four Ply</b>				
116004	11140060	Rubber bellow only		
115009	11140006	Top Plate M12 (36mm Bolts) (Assembly axis 158mm), Bottom plate M14 (60mm Bolts)(Assembly axis 158mm)	M16X1.5	73 mm
115010	11140007	Top Plate Combostudand M12 blindnut(Assembly axis 157 mm), Bottom plate M12 Bolts (Assembly axis 157 mm), Bumper (112mm)	M20X1.5-M12X1.5	
115024	11140016	Top/bottom plate M8 (Blind nuts), Assembly axis 157 mm	G1	66 mm
115082	11140075	Top/bottom plate M8 (Blind nuts) Assembly axis 157mm	G 3/4	73 mm
115028	11140018	Top Plate M12 (36mm Bolts), Bottom plate M14 (60mm Bolts), Bumper (120mm)	M16x1.5	73 mm
115029	11140019	Top/Bottom Plates M12 (36mm Bolts), Assembly axis 157mm	M16x1.5	73 mm
115030	11140020	Top Plate M12 (Bolts), Bottom plate M14 (60mm Bolts), Assembly axis 157 mm	M16x1.5	73 mm
115032	11140022	Top/bottom plate M8 (Blind nuts), Assembly axis 157mm	G1/4	73 mm

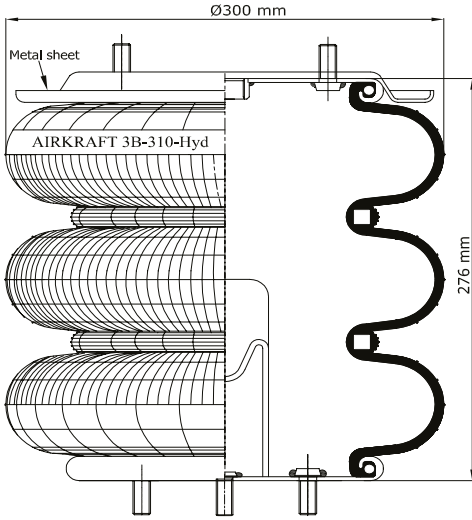
Reference	Order No	Adaptable Cross	
116004	11140060	CONTITECH	FT 330-29 S
		FIRESTONE FLEX	38
115009	11140006	PIRELLI	322 BB-93410
		DUNLOP	12"X3 RE NB SP 12350
115010	11140007	FIRESTONE	W01 M58 8017
		DUNLOP	S 12302 (12"x3 NB)
115024	11140016	CONTITECH	FT 330-29 61830
		WEFORMA	WBD 500-E1
115082	11140075	NORGREN	PM/31123(12"x3)

Reference	Order No	Adaptable Cross	
115028	11140018	GART	271.3.298 ( T271/S )
		CF GOMMA	322 BB 204413
115029	11140019	GART	271.3.298 / 2
		CF GOMMA	322 BB 204450
115030	11140020	PIRELLI	93410 322 B.B
115032	11140022	CONTITECH	FT 330-29 61831
		WEFORMA	WBD 500-E2
		BOSCH	822419081

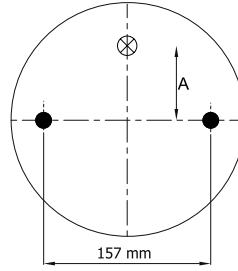
● BOLT / STUD    ● BLIND NUT    ⊗ COMBINATIONS STUD    ⊗ AIR INLET    A DISTANCE TO CENTER

# 3B - 310HYD

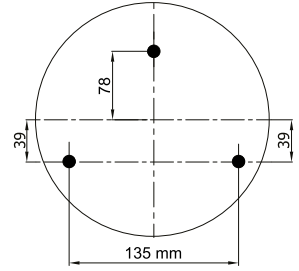
## STYLE



TOP VIEW



BOTTOM VIEW



Reference	Order No	Description	⊗	A
<b>High Strength Bellows - Four Ply</b>				
116004	11140060	Rubber bellow only		
115008	11140005	Top/bottom plate M12 (Bolts), Bumper (120mm)	M12X1.5	(-)73 mm
115015	11140011	Top/bottom plate M12 (Bolts), Bumper (120mm), Top plate with metal sheet	M12X1.5	73 mm
115017	11140013	Top/bottom plate M12 (Bolts), Bumper (120mm)	M12X1.5	73 mm

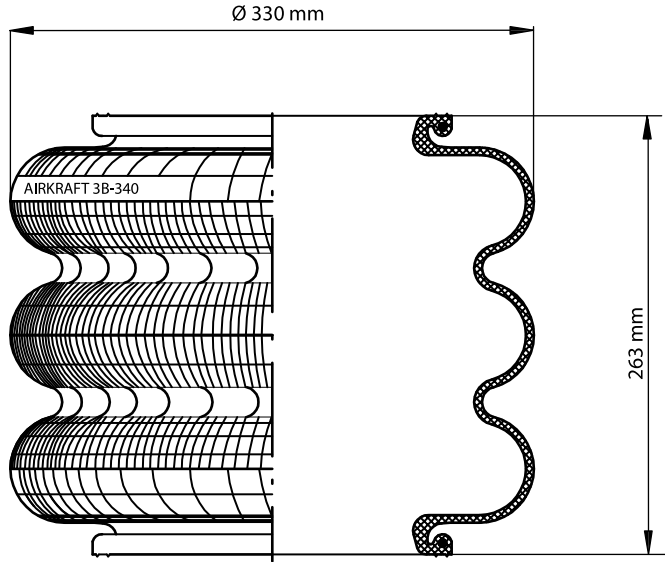
Reference	Order No	Adaptable Cross	
116004	11140060	CONTITECH	FT 330-29 S
		FIRESTONE	38
115008	11140005	CONTITECH	FT 330-29 P01
		GART	T271 /S 271.3.296
115015	11140011		

Reference	Order No	Adaptable Cross
115017	11140013	MERCEDES-ACTROS-TURKEY

● BOLT / STUD   ● BLIND NUT   ⊗ COMBINATIONS STUD   ⊗ AIR INLET   A DISTANCE TO CENTER

# 3B - 340

## STYLE



Reference	Order No	Description
116060	11140103	Rubber bellow only

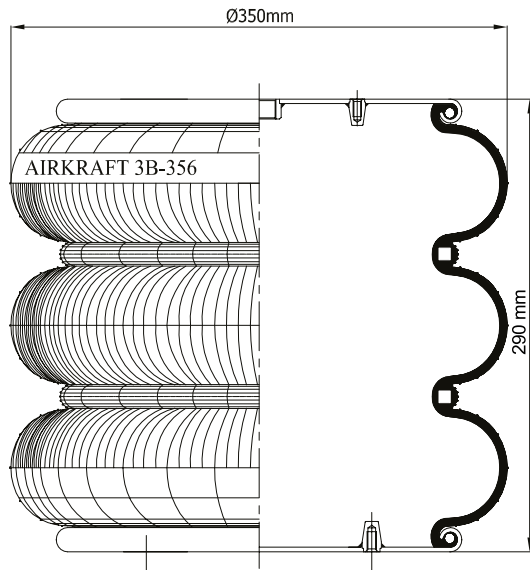
Reference	Order No	Adaptable Cross
116060	11140103	Rubena 340x3

Reference	Order No	Adaptable Cross

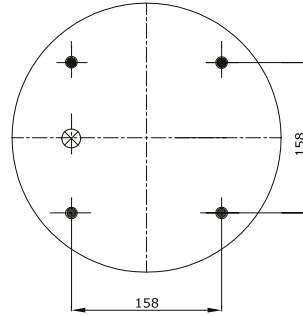
● BOLT / STUD   ● BLIND NUT   ⊗ COMBINATIONS STUD   ⊗ AIR INLET

# 3B - 356

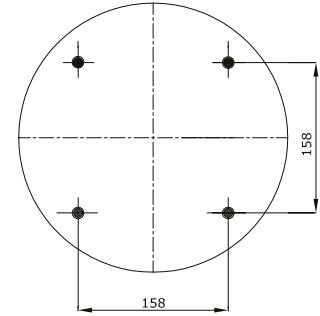
## STYLE



TOP VIEW



BOTTOM VIEW



Reference	Order No	Description	
116055	11140068	Rubber bellow only	
115059	11140076	Top/bottom plate 3/8"-16 UNC (Blind nuts) Bumper 112 mm	1/4 NPT
115051	11140026	Top/bottom plate M8 (Blind nuts)	G 3/4
115053	11140027	Top/bottom plate M8 (Blind nuts)	G1
115060	11140077	Top/bottom plate 1/2"-13 UNC (Bolts)	1/4 NPT
115054	11140028	Top/bottom plate M8 (Blind nuts)	G 1/4
115061	11140032	Top/bottom plate 3/8"-16 UNC (Blind nuts)	1/4 NPT
115070	11140034	Top/bottom plate 1/2"-13 UNC (Bolts) Bumper 112 mm	1/4 NPT

Reference	Order No	Adaptable Cross	
116055	11140068	CONTITECH	FT 530-32
		FIRESTONE FLEX	313
		GOODYEAR FLEX	578-93-3-350
		FIRESTONE	095.0113
115059	11140076	FIRESTONE	W01 358 7798
		GOODYEAR	3B14-356
		CONTITECH	FT 530-32 329
		HENDRICKSON	13039
115051	11140026	WEFORMA	WBD 600-E3
115053	11140027	WEFORMA	WBD 600 E1

Reference	Order No	Adaptable Cross	
115060	11140077	FIRESTONE	W01 358 7800
		GOODYEAR	3B14-360
		CONTITECH	FT 530-32 333
115054	11140028	CONTITECH	FT 530-32 _60717
		WEFORMA	WBD 600-E2
		BOSCH	822419082
115061	11140032	FIRESTONE	W01-358-7808
		GOODYEAR	3B14-350
		CONTITECH	FT 530-32 336
		HENDRICKSON	13157
115070	11140034	FIRESTONE	W01 358 7818
		GOODYEAR	3B14-359
		CONTITECH	FT 530-32 325

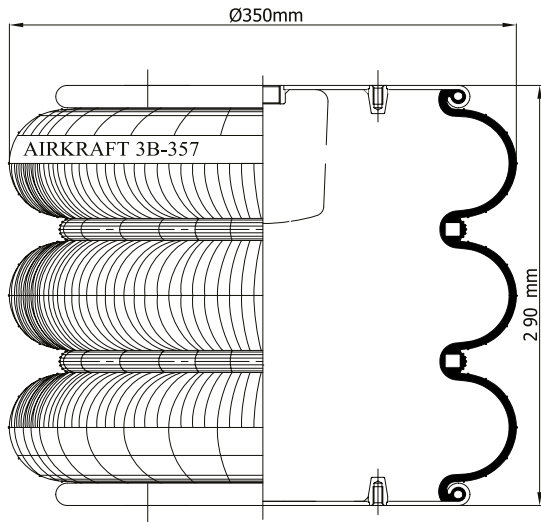
● BOLT / STUD   ● BLIND NUT   ⊗ COMBINATIONS STUD   ⊗ AIR INLET



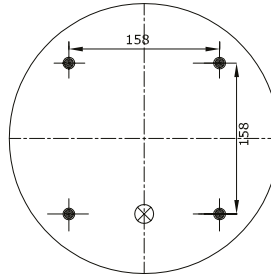


# 3B - 357

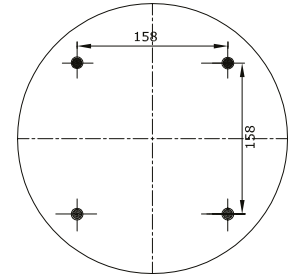
## STYLE



TOP VIEW



BOTTOM VIEW



Reference	Order No	Description	⊗
116051	11140063	Rubber bellow only	
115067	11140079	Top/bottom plate 3/8"-16 (Blind nuts)	1/4 NPT
115063	11140080	Top/bottom plate 3/8"-16 (Blind nuts) Bumper- 112 mm	1/4 NPT
115038	11140024	Top/bottom plate M12x1.75 (Bolts) Bumper- 112 mm	M22X1.5
115039	11140025	Top/bottom plate M8x1.25 (Blind nuts) Bumper- 112 mm	M22X1.5
115049	11140081	Top/bottom plate M8 (Blind nuts)	G1
115050	11140082	Top/bottom plate M8 (Blind nuts)	G1/4
115068	11140033	Top Plate 1/2"-13 UNC (Bolts) Bottom Plate 3/8"-16 UNC (Blind nuts) Bumper 112 mm	1/4 NPT
115065	11140083	Top/bottom plate 1/2"-13 (Bolts)	1/4 NPT
115064	11140084	Top/bottom plate 1/2"-13 (Bolts) Bumper 112 mm	1/4 NPT
115069	11140085	Top/bottom plate 1/2"-13 (Bolts) Bumper 112 mm	3/4 NPT

Reference	Order No	Adaptable Cross	
116051	11140063	CONTITECH	FT 530-35
		FIRESTONE	095.0166
		FIRESTONE FLEX	333
115067	11140079	FIRESTONE	W01-358-7845
		CONTITECH	FT 530-35 521
115063	11140080	FIRESTONE	W01-358-7838
		CONTITECH	FT 530-35 436
		GOODYEAR	3B14-356
115038	11140024		
115039	11140025		
115049	11140081	CONTITECH	FT 530-35CI/61330
115050	11140082	CONTITECH	FT 530-35CI/61366

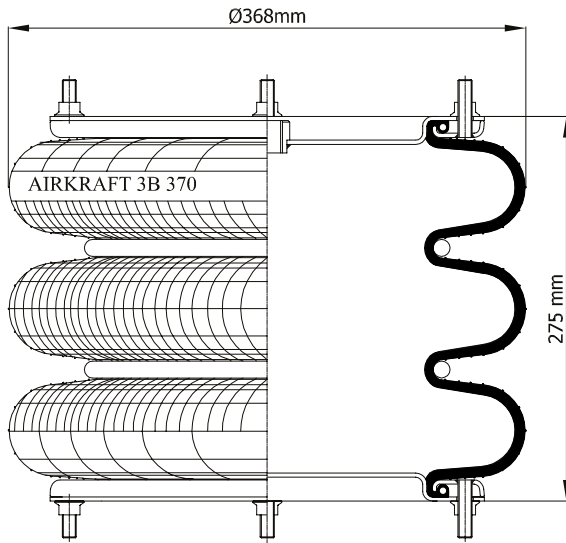
Reference	Order No	Adaptable Cross	
115068	11140033	FIRESTONE	W01-358-7855
		CONTITECH	FT 530-35 522
115065	11140083	FIRESTONE	W01-358-7848
		CONTITECH	FT 530-35 439
		GOODYEAR	3B14-360
115064	11140084	FIRESTONE	W01-358-7839
		CONTITECH	FT 530-35 437
		GOODYEAR	3B14-359 / 444
115069	11140085	FIRESTONE	W01-358-7853
		CONTITECH	FT 530-35 537

● BOLT / STUD    ● BLIND NUT    ⊗ COMBINATIONS STUD    ⊗ AIR INLET

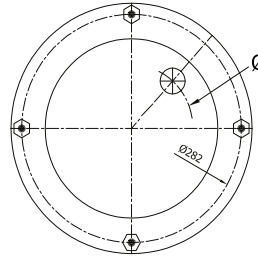


# 3B - 370

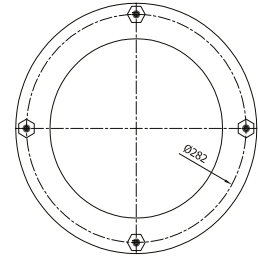
## STYLE



TOP VIEW



BOTTOM VIEW



Reference	Order No	Description	⊗	∅
116100	11140065	Rubber bellow only		
115103	11140041	Top/Bottom plate M10 (bolts)	M22X1,5	center
115104	11140042	Top/Bottom plate M10 (bolts)	M22X1,5	170 mm
115105	11140043	Top/Bottom side only clamp ring M10		
115108	11140046	Top/Bottom plate M10 (bolts)	Rp 1/2	center
115109	11140047	Top/Bottom plate M10 (bolts)	Rp 1/2	170 mm

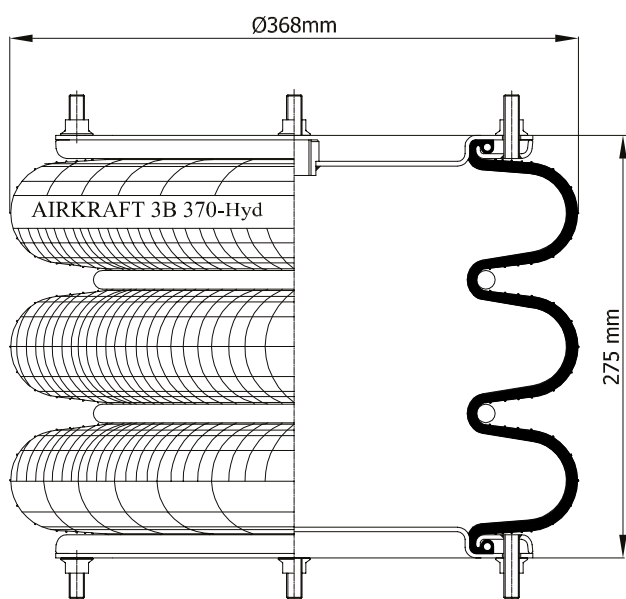
Reference	Order No	Adaptable Cross	
116100	11140065	CONTITECH	FT 614-36 S
		DUNLOP (FR)	14"½ x 3 SP 2007
		FIRESTONE FLEX	14x3.5
115103	11140041	CONTITECH	FT 614-36 S
		DUNLOP (FR)	14"½ x 3 SP 2279
115104	11140042	CONTITECH	FT 614-36 S
		DUNLOP (FR)	14"½ x 3 SP 2547
115105	11140043	CONTITECH	FT 614-36
		DUNLOP (FR)	14"½ x 3 SP 2169

Reference	Order No	Adaptable Cross	
115108	11140046	CONTITECH	FT 614-36 1/2M10
		DUNLOP (FR)	14"½ x 3 SP 1558
		DUNLOP (UK)	PNP304140142
		FIRESTONE	W01 R58 40 65
115109	11140047	WEFORMA	WBD-G 590
		NORGREN	M/31143 (14"½ x 3 )
		CONTITECH	FT 614-36
		DUNLOP (FR)	14"½ x 3

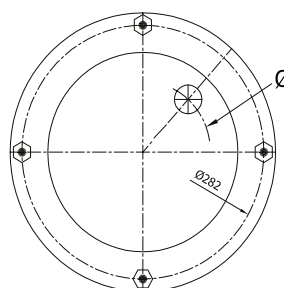
● BOLT / STUD    ● BLIND NUT    ⊗ COMBINATIONS STUD    ⊗ AIR INLET    ∅ DISTANCE TO CENTER

# 3B - 370HYD

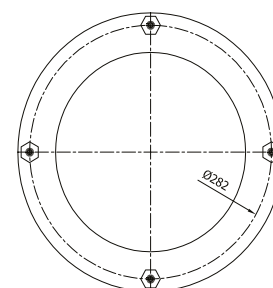
## STYLE



TOP VIEW



BOTTOM VIEW



Reference	Order No	Description	⊗	∅
<b>High Strength Bellows - Four Ply</b>				
116101	11140066	Rubber bellows only		
115100	11140038	Top/Bottom plate 8x M10 (bolts)	M22X1,5	center
115101	11140039	Top/Bottom plate 8xM10 (bolts)	M22X1,5	170 mm
115102	11140040	Top/Bottom side only clamp ring 8xM10		
115106	11140044	Top/Bottom plate 8xM10 (bolts)	Rp 1/2	center
115107	11140045	Top/Bottom plate 8xM10 (bolts)	Rp 1/2	170 mm
115110	11140048	Top/Bottom side only clamp ring 4XM10 Bolts		
115111	11140049	Top/Bottom plate 4XM10 (bolts)	Rp 1/2	center
115113	11140050	Top/Bottom side only clamp ring 12XM8 bolts		

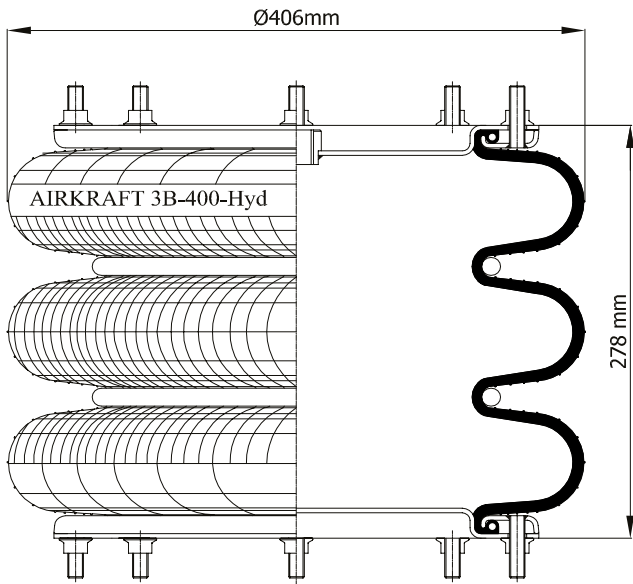
Reference	Order No	Adaptable Cross	
116101	11140066	CONTITECH	FT 614-36 S
		DUNLOP (FR)	SP 2007 RE
115100	11140038	CONTITECH	FT 614-36 S
		DUNLOP (FR)	14"½ x 3 RE
115101	11140039	CONTITECH	FT 614-36 S
		DUNLOP (FR)	14"½ x 3 RE
115102	11140040	CONTITECH	FT 614-36 S
		DUNLOP (FR)	14"½ x 3 RE
115106	11140044	CONTITECH	FT 614-36 S
		DUNLOP (FR)	SP 2008 RE
115107	11140045	CONTITECH	FT 614-36 S
		DUNLOP (FR)	14"½ x 3 RE

Reference	Order No	Adaptable Cross	
115110	11140048	CONTITECH	FT 614-36 S
		DUNLOP (FR)	SP 2169 RE
115111	11140049	CONTITECH	FT 614-36 S
		DUNLOP (FR)	SP 2526 RE
115113	11140050	CONTITECH	FT 614-36 S
		DUNLOP (FR)	SP 2169 RE

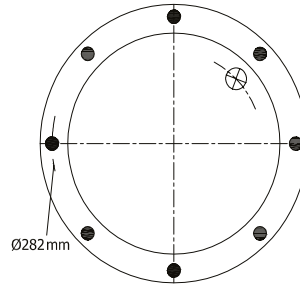
● BOLT / STUD    ● BLIND NUT    ⊗ COMBINATIONS STUD    ⊗ AIR INLET    ∅ DISTANCE TO CENTER

# 3B - 400 / HYD

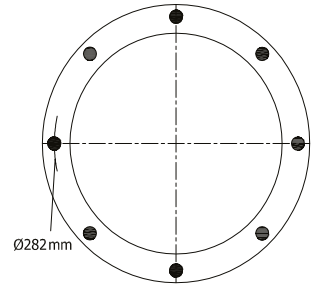
## STYLE



TOP VIEW



BOTTOM VIEW



Reference	Order No	Description	⊗	∅
<b>High Strength Bellows - Four Ply</b>				
116151	11140067	Rubber bellow only		
115150	11140051	Top/Bottom plate 8xM10 (bolts)	M22X1,5	center
115151	11140052	Top/Bottom plate 8xM10 (bolts)	M22X1,5	170 mm
115152	11140053	Top/Bottom side only clamp ring 8xM10		
115153	11140054	Top/Bottom plate 8xM10 (bolts)	Rp 1/2	center
115154	11140055	Top/Bottom plate 8xM10 (bolts)	Rp 1/2	170 mm
115155	11140056	Top/Bottom plate 4xM10 (bolts)	Rp 1/2	center
<b>Two Ply Bellows</b>				
116150	11140098	Rubber bellow only		

Reference	Order No	Adaptable Cross	
116151	11140067	DUNLOP (FR)	16"x 3 RE
115150	11140051	DUNLOP (FR)	16"x 3 RE
115151	11140052	DUNLOP (FR)	16"x 3 RE
115152	11140053	DUNLOP (FR)	16"x 3 RE
115153	11140054	DUNLOP (FR)	16"x3 RE-SP 2156
115154	11140055	DUNLOP (FR)	16"x3 RE-SP 2156
115155	11140056	DUNLOP (FR)	16"x3 RE-SP 2141

Reference	Order No	Adaptable Cross	

● BOLT / STUD    ● BLIND NUT    ⊗ COMBINATIONS STUD    ⊗ AIR INLET    ∅ DISTANCE TO CENTER

CONVOLUTED  
AIR SPRINGS

**OEM  
REFERENCE  
LIST**



## OEM REFERENCES

OEM Reference	Reference	Order No	Page No
<b>AMERICAN CARRIER</b>			
8003-005	113503	11120184	56
8003-006	113067	11120029	21

<b>BARTOLETTI</b>			
91621322	115005	11140003	71

<b>BENALU</b>			
M 002297	115004	11140002	70
M 063796	113301	11120047	42

<b>BINKLEY</b>			
XB-SPN-053-37	113341	11120066	50

<b>BUSSING</b>			
546905134/831120120	113306	11120049	44

<b>BMC</b>			
57RS3066424	115021	11140014	72

<b>BPW</b>			
02.2002.05.00	114250	11120152	41
02.2002.19.00	113306	11120049	44
05 429 00 010	113250	11120045	41
05 429 00 040 / 02.2002.08.00	114150	11120150	36
05 429 00 040	113150	11120042	36
02.200.20.90.0	114151	11120151	36
05.419.00.28.0	113150	11120042	36
02.200.20.50.0	114250	11120152	41

<b>BRAKE WHELL</b>			
M3505	113495	11120181	56

<b>CARDI</b>			
580553800	113361	11120079	61

<b>CHEREAU</b>			
	113558	11120189	55

<b>DAF</b>			
654464	113001	11120001	26
654464	113017	11120014	27
1192203	114150	11120150	36
1307058	113453	11120101	56
1.192.203	114151	11120151	36

<b>DAIMLERCHRYSLER</b>			
6.883.207.021	113547	11120136	33
A 946 328 21 01	113012	11120011	34
A 946 328 21 01	113484	11120119	34

OEM Reference	Reference	Order No	Page No
<b>DAYTON</b>			
354-6902	113027	11120018	27
354-6905	113028	11120019	27
354-6910	113017	11120014	27
3547410	113334	11120064	43
3547145	113495	11120181	56

<b>DINA</b>			
A-8127-19	113017	11120014	27
<b>DIEBOLT</b>			
2799070	115104	11140042	84

<b>EVELEY</b>			
RA 1990-1	113454	11120102	57

<b>EZ RIDE</b>			
8030155	115034	11140023	73
8030160	113480	11120180	54
8030170	115061	11140032	80
8030180	115070	11140034	80
8030190	113490	11120123	45

<b>EZ RIDE HOLLAND(NEWAY)</b>			
90557039	113503	11120184	56

<b>FACCHINI</b>			
03.08.5017.02	115038	11140024	82
03.08.5017.11	113477	11120113	44

<b>FRUEHAUF / GT FRUEHAUF</b>			
M80A04 / F480054	113060	11120027	23
M078246	113330	11120062	51
VFA 2520-1	115104	11140042	84
J40 108 M08 A05	113359	11120078	60
M002297	115004	11140002	70
U.JB 09 85/A	113301	11120047	42

<b>FREIGHTLINER</b>			
16-11378-000	113334	11120064	43
16-10769-000	113333	11120063	45
16-11379-000	113334	11120064	43
16-10796-000	113333	11120063	45

<b>GIGANT</b>			
190130	113004	11120004	26
196028	113053	11120022	21
196028	113054	11120023	21
881202	113300	11120046	42
881204	115003	11140001	70
881205	113358	11120077	60



## OEM REFERENCES

OEM Reference	Reference	Order No	Page No
<b>GMC</b>			
693230	113333	11120063	45

<b>GRANNING</b>			
1014	115070	11140034	80
1015/15663	113464	11120107	57
1218	114302	11120155	49
1218	113311	11120054	49
1218	113493	11120178	49
1218	113450	11120098	56
1371	113017	11120014	27
1371/15603	113482	11120117	26
15603	113001	11120001	26
15603	114300	11120153	42
15646	113308	11120051	45
15646	113312	11120055	44
15647	113454	11120102	57
15670	113012	11120011	34
15670	113010	11120009	34
15670	113473	11120109	34
15673	115010	11140007	77
15710	113011	11120010	35
15710	114151	11120151	36
15801	114050	11120145	22
15803	113060	11120027	23
15807	113100	11120038	37
15808	114100	11120149	37
15809	115055	11140029	69
15813	113300	11120046	42
15814	113301	11120047	42
15816	115003	11140001	70
15818	116001	11140057	70
15821	113358	11120077	60
15822	113354	11120073	60
15822	113356	11120075	61
15823	114350	11120157	60
15824	115108	11140046	84
15827	115103	11140041	84
15827	115106	11140044	85
15827	115111	11140049	85
15829	113408	11120090	62
15830	113404	11120086	62
15830	113409	11120091	62
15830	115056	11140030	69
15830	116003	11140059	71
15831	114400	11120159	62
15832	115155	11140056	86
15833	116151	11140067	86
15853	113101	11120039	37
15863	113305	11120048	42
15882	113359	11120078	60

OEM Reference	Reference	Order No	Page No
15897	115004	11140002	70
15923	114250	11120152	41
15947	114001	11120143	31
16022	113453	11120101	56
16036	113053	11120022	21
16051	114150	11120150	36
1613	115059	11140076	80
1626	113466	11120108	56
17015	113405	11120087	62
17015	113407	11120089	63
17017	113403	11120085	62
17017	115008	11140005	78
17040	115009	11140006	77
196028	113052	11120021	21
2725	113339	11120065	43
2726	113333	11120063	45
4514	115060	11140077	80
4848	113027	11120018	27
8221 / 702932-01	115037	11140071	74
A06030604	113004	11120004	26
15599	113002	11120002	28
63502	113502	11120130	34
15807	113100	11120038	37
2726	113333	11120063	45
1626	113466	11120108	56
15816	115003	11140001	70

<b>GUERRA</b>			
5002 004 018000	113325	11120059	49
5002 004 062000	115023	11140015	75
5036 002 015006	113475	11120111	29

<b>HENDRICKSON</b>			
2734	113480	11120180	54
10170	113334	11120064	43
13039	115059	11140076	80
13041	115070	11140034	80
13157	115061	11140032	80
14395	113067	11120029	21
12514-014	113454	11120102	57
AS-0007/S2883	113339	11120065	43
B-1159 / B-2883 / 12514-001	113339	11120065	43
B-2630	113027	11120018	27
B-3184	113464	11120107	57
B3518 / 5270 / 45843-1	113028	11120019	27
B-8768 / 45843-3	113017	11120014	27
HS507906/P	113320	11120058	48
HS507907/P	113015	11120013	24
NA 1816	113308	11120051	45
NA 1816	113306	11120049	44
NA 1816	113312	11120055	44



## OEM REFERENCES

OEM Reference	Reference	Order No	Page No
NA 1821	113053	11120022	21
NA1860/B1159/B2883	113339	11120065	43
S1013/C1013	113333	11120063	45
S-10170	113334	11120064	43
S1080	113466	11120108	56
S1080	113466	11120108	56
S11637	115034	11140023	73
S12405	115016	11140012	73
S13035	113493	11120178	49
S13038	113495	11120181	56
S13046	113503	11120184	56
S2630 / B2630	113027	11120018	27
S2734	113480	11120180	54
S3184	113464	11120107	57
S6861	115070	11140034	80
S9830	113316	11120177	49
S1080	113466	11120108	56
S13038	113495	11120181	56

HENDRICKSON AUX			
1346	115062	11140078	81
NA1816	113490	11120123	45

HENDRICKSON CAN			
B-12514-014	113454	11120102	57
568082	113500	11120128	54

HISTEER			
10300	115070	11140034	80
10315	113341	11120066	50

HOLAND HITCH			
4514	115060	11140077	80

HOLLAND(NEWAY)			
90557228	113501	11120129	28

IVECO			
240/36 42107595	115005	11140003	71

JOST			
AD0076	113474	11120110	27
AD0135	114714	11120166	67
3010702401	113484	11120119	34
JAS 30 107 024 01	113484	11120119	34
JAE 30 107 024 01	113484	11120119	34

KASSBOHRER			
473 1003000	114250	11120152	41
473 1045 100 / 300	113556	11120142	47
473 1005 000	114450	11120161	56

OEM Reference	Reference	Order No	Page No
473 1003 000 (SG176)	114250	11120152	41
473 1024 000	114250	11120152	41

KAISER			
A06030615	113301	11120047	42
A06030616	114300	11120153	42
A06030616	113305	11120048	42
WC 074 0236	115155	11140056	86
Y11 00063	113357	11120076	61
Y11000603	113355	11120074	60

KÖGEL			
6501706	113002	11120002	28

KRONE			
550011095	113004	11120004	26

LELAND			
SC2122	113502	11120130	34
SC2023	113334	11120064	43
SC2020	113333	11120063	45
SC2076	113490	11120123	45
SC2016	113495	11120181	56

LINK			
1103-0057	115062	11140078	81

LOAD GUARD			
SC2010	113027	11120018	27
SC2011	113017	11120014	27
SC2013	113454	11120102	57
SC2014	113466	11120108	56
SC2015	113464	11120107	57
SC2017	113503	11120184	56
SC2021	113339	11120065	43
SC2023	113334	11120064	43
SC2029	115059	11140076	80
SC2030	115060	11140077	80
SC2031	115061	11140032	80
SC2032	115070	11140034	80
SC2071	113028	11120019	27
SC2075	113490	11120123	45
SC2079	113480	11120180	54
SC2122	113502	11120130	34
SC2123	113013	11120012	34
SC2130	115034	11140023	73
SC2132	115027	11140017	75

LINCOLN			
MARK LT (4x2, 4x4)	113431	11120209	40

## OEM REFERENCES

OEM Reference	Reference	Order No	Page No
<b>LOHR</b>			
A06030604	113060	11120027	23
A06030605	115104	11140042	84
A06030606	115004	11140002	70
A0630601	113301	11120047	42
Y00001137	113305	11120048	42
Y00001737	114300	11120153	42

<b>MACK</b>			
227QS-32&57QK1113	113067	11120029	21
57QL239	113495	11120181	56

<b>MAGIRUS</b>			
3452571	113306	11120049	44
0342 2571	114250	11120152	41
0342 2652	114150	11120150	36
0342 2652	114151	11120151	36
0342 2571	114250	11120152	41

<b>MAN</b>			
81436010022 / 88964200217	114250	11120152	41
81436010022	113306	11120049	44
81436010023	114150	11120150	36
81436010023	114151	11120151	36
88.964.200.217	114250	11120152	41

<b>MERCEDES</b>			
A9423270601	113082	11120250	29

<b>MERITOR</b>			
21221395-21222663	113001	11120001	26
21221356	113010	11120009	34
21221356	113012	11120011	34
21221395	113004	11120004	26

<b>METRO BUS</b>			
X 6641055	114300	11120153	42

<b>NAVI STAR</b>			
1685175C1	113028	11120019	27
1685179C1	113490	11120123	45
1685183C1	113480	11120180	54
1685179C1	113490	11120123	45
554783C1	113017	11120014	27
554784C1	113027	11120018	27
554787C1	113339	11120065	43
554792C1	113334	11120064	43
554797C1	113503	11120184	56
554798C1	113466	11120108	56
554799C1	113464	11120107	57
554800C1	113454	11120102	57
554802C1	115059	11140076	80

OEM Reference	Reference	Order No	Page No
554803C1	115070	11140034	80
554792C1	113334	11120064	43
554788C1	113333	11120063	45
554796C1	113495	11120181	56

<b>NEWAY</b>			
57006905	113028	11120019	27
5707410	113334	11120064	43
57007180	113490	11120123	45
90557237	113502	11120130	34
90557001/M05 57 003	113454	11120102	57
90557237	113502	11120130	34
90557185	113492	11120125	45
90557016 / TC1444	113333	11120063	45
57007145	113495	11120181	56

<b>PEGASO</b>			
528919 5266/5231/5236	113001	11120001	26
5231/5236/5266	114001	11120143	31

<b>PEERLESS</b>			
0550-00001	113490	11120123	
0550-00030	115061	11140032	45

<b>PEZZANI</b>			
AR-21-A	113454	11120102	

<b>PORCUPINE</b>			
REPLACES 7142	113464	11120107	

<b>PREVOST</b>			
63-0173	113017	11120014	

<b>RANDON</b>			
212100278	113475	11120111	29
212100072	116008	11140062	73
212100273	114301	11120154	43
218004237	113482	11120117	26
212007152	114029	11120172	67

<b>RECRUSUL</b>			
10079887	114203	11120171	49

<b>RIDEWELL</b>			
1003586897C	113026	11120017	30
1003586801C	113480	11120180	54
1003586805C	113479	11120115	54
1003586900C	113487	11120120	27
1003586902C/S11728C	113027	11120018	27
1003586905C/S2845C	113028	11120019	27
1003586910C/S4512C	113017	11120014	27
1003586948C	111001	11101001	11



## OEM REFERENCES

OEM Reference	Reference	Order No	Page No
1003586948C	113013	11120012	34
1003587135C	113454	11120102	57
1003587136C	113466	11120108	56
1003587140C	113464	11120107	57
1003587145C	113495	11120181	56
1003587146C	113503	11120184	56
1003587180C	113490	11120123	45
1003587400C	113333	11120063	45
1003587403C	113339	11120065	43
1003587443C	113493	11120178	49
1003587443C	113450	11120098	56
1003587443C	113311	11120054	49
1003587800C	115060	11140077	80
1003587808C	115061	11140032	80
1003587818C	115070	11140034	80
1003588008C	115034	11140023	73
1003588010C	115035	11140074	75
1003588016C	115036	11140072	74
1003587180C	113490	11120123	45
S4302C	113339	11120065	43
S-5844C	115035	11140077	80
1003586943C	113502	11120130	34
1003586948C	113013	11120012	34
10035874106	113334	11120064	43
1003587136C	113466	11120108	56
1003587145C	113495	11120181	56
1003587145C			

ROLFO			
112273	115009	11140006	77
112273	115030	11140020	77
112321	115028	11140018	77

ROR			
21221395-21222663	113001	11120001	26
21221356	113473	11120109	34
21221395-21222663	114151	11120151	36
21221356	113012	11120011	34

ROWE TRUCK			
270	115062	11140078	81

RVI BUS			
VSM 10176	114100	11120149	37

R&S TRUCK&BODY			
1027505	113027	11120018	27
1027556	113466	11120108	56
1090214	113464	11120107	57
1027519	113333	11120063	45
1027556	113466	11120108	56

OEM Reference	Reference	Order No	Page No
SAMRO			
2500013	114400	11120159	62
250-0012	114350	11120157	60
250-0012	113353	11120072	60
H250-0021	113100	11120038	37
H250-0011	115004	11140002	70
H250-0188	113060	11120027	23
H250-0021	113100	11120038	37
H250-0010	115055	11140029	69

SAUER			
P10-754	113067	11120029	21

SAF			
1319761	113002	11120002	28
1600 4.229.1004.00	113002	11120002	28
2.229.1001.00	113306	11120049	44
3.229.1001.00	113312	11120055	44
3.228.1002.01	115008	11140005	78
3.228.1002.01	113403	11120085	62
45.98.00.5419.2	113003	11120003	27

SAF HOLLAND			
1608	113481	11120116	34
570-06-801	113480	11120180	54
570-06-902	113027	11120018	27
57006905	113028	11120019	27
570-06-910	113017	11120014	27
570-07-136	113466	11120108	56
570-07-140*905-57-257	113464	11120107	57
570-07-180	113490	11120123	45
570-07-410	113334	11120064	43
570-07-798	115059	11140076	80
570-07-800	115060	11140077	80
570-07-808	115061	11140032	80
570-07-818	115070	11140034	80
570-08-008	115034	11140023	73
570-07-180	113490	11120123	45
570-07-145	113495	11120181	56
905-57-001	113454	11120102	57
905-57-016	113333	11120063	45
905-57-039*024	113503	11120184	56
905-57-228	113501	11120129	28
905-57-237	113502	11120130	34
90557185	113492	11120125	45
90557016 / TC1444	113333	11120063	45
4.229.1004.00 (1609)	113002	11120002	28
4.229.1005.00/01	113476	11120112	35
4.229.1005.00	113481	11120116	34
4.229.1005.01	113481	11120116	34

## OEM REFERENCES

OEM Reference	Reference	Order No	Page No
<b>SCANIA</b>			
131 9761	113002	11120002	28
1304528	113333	11120063	45
1863244	113018	11120015	28
1387283	113011	11120010	35
1387283	113038	11120020	35
1387283	114151	11120151	36
1510249	113329	11120061	46
1503813-7317	113554	11120141	46
670199	113333	11120063	45
<b>SCHMITZ</b>			
116808	113500	11120128	54

<b>SILENT DRIVE</b>			
AS 6882	113028	11120019	27
AS-7800	115060	11140077	80
AS-7818	115070	11140034	80
AS-8025	115034	11140023	"

<b>SMB/SUSPENSIONS INC.</b>			
M002297	115004	11140002	70
200620	115027	11140017	75
200835	113502	11120130	34

<b>SPRING VALLEY</b>			
AS-4413	115016	11140012	73
AS-4426	113502	11120130	34
AS-4429	113013	11120012	34

<b>SUSPENTECH</b>			
ST852	113475	11120111	29
ST853	113474	11120110	27

<b>TERBERG</b>			
21074519	113001	11120001	26
21074519	114151	11120151	36

<b>TOUGHLINE</b>			
1218	113311	11120054	49
1218	113493	11120178	49
1218	113450	11120098	56
15670	113010	11120009	34
15670	113012	11120011	34
15673	115010	11140007	77
17040	115009	11140006	77

<b>TOYOTA</b>			
TUNDRA (4X4 only)	113431	11120209	40
TUNDRA TRD (4X2 only)	113431	11120209	40

OEM Reference	Reference	Order No	Page No
<b>TRES EIXOS</b>			
8927	113325	11120059	49
<b>TRIANGLE</b>			
4310	113027	11120018	27
4311	113454	11120102	57
4313	113333	11120063	45
4315	113028	11120019	27
4316	113464	11120107	57
4318	113339	11120065	43
4319	113487	11120120	27
4320	113017	11120014	27
4321	113466	11120108	56
4325	115070	11140034	80
4329	115059	11140076	80
4331	113334	11120064	43
4333	115060	11140077	80
4342	113503	11120184	56
4363	113490	11120123	45
4374	113495	11120181	56
4396	113316	11120177	49
4413	115016	11140012	73
4426	113502	11120130	34
4432	115035	11140074	75
4451	113480	11120180	54
4480	113341	11120066	50
4505	113026	11120017	30
4519	113500	11120128	54
4336-6319	115061	11140032	80
4429/6332	113013	11120012	34
4430/4503	115027	11140017	75
4431/4469/6334	115034	11140023	73
4433-4434	115036	11140072	74
4363	113490	11120123	45
4518/6336	113499	11120127	54
4519/6336	113500	11120128	54
4520-6334	115037	11140071	74
4532/6336	113479	11120115	54
4535-6319	115062	11140078	81
4539/6325	113501	11120129	28
4546-6334	115072	11140070	73
6392/4509	113067	11120029	21

<b>TROUILLET</b>			
HB 10350	113301	11120047	42
1001270	113351	11120070	61

<b>TRUCKSTELL/MARION MFG.</b>			
63641/63644	113454	11120102	57
63640	115061	11140032	80



## OEM REFERENCES

OEM Reference	Reference	Order No	Page No
<b>TRUCK</b>			
35203-0005	113495	11120181	56

<b>UNIFERRO</b>			
26060002	114714	11120166	67

<b>VALX</b>			
81005002	113012	11120011	34

<b>VIBERTI</b>			
128118102	113361	11120079	61
128118103	115005	11140003	71

<b>VOLVO</b>			
1199733 8127151 365461	114001	11120143	31
3159288	113546	11120135	25
6882797	113001	11120001	26
85101146	113028	11120019	27
85101158	113334	11120064	43
365461 BUS B58	113482	11120117	26
365461/B 58 -365431	113001	11120001	26
6882797/365461	114151	11120151	36
6882797/365461	113150	11120042	36
0365431 (B58)	114001	11120143	31
0365401 (B58)	114001	11120143	31
6 882 797 (B58)	114001	11120143	31
3130488	113333	11120063	45

<b>WATSON&amp;CHALIN</b>			
AS-0001	113017	11120014	27
AS-0002	113027	11120018	27
AS-0003	113333	11120063	45
AS-0004	113466	11120108	56
AS-0006	115059	11140076	80
AS-0007/AS-0068	113339	11120065	43
AS-0008	113464	11120107	57
AS0019	115034	11140023	73
AS0019-1F	115072	11140070	73
AS-0020/AS-0110	113028	11120019	27
AS-0021	113480	11120180	54
AS-0025/-0033	115070	11140034	80
AS-0027	113311	11120054	49
AS-0027	113493	11120178	49
AS-0027	113450	11120098	56
AS-0030	113067	11120029	21
AS-0034	113499	11120127	54
AS-0034	113500	11120128	54
AS-0041	113502	11120130	34
AS0048	115016	11140012	73
AS-0048-1F	115087	11140087	73
AS-0058	113026	11120017	30
AS-0087	113341	11120066	50

OEM Reference	Reference	Order No	Page No
AS-0123G	113479	11120115	54
AS-0122G	113013	11120012	34
AS01541G / AS01881G	113490	11120123	45
AS-0004	113466	11120108	56

<b>WARREN</b>			
8030170	115061	11140032	80

<b>WEWELER</b>			
US 06910	113001	11120001	26
US 07880F	113452	11120100	57
US07394	113010	11120009	34
USN 5100 08DX	113408	11120090	62
USN 5100 10DX	113358	11120077	60
USN 5100 11 KD	113300	11120046	42
USN 5100 18 KD	115108	11140046	84
USN 510016D	115055	11140029	69
US0 7394C / US0 7394F	113012	11120011	34
51016D	115055	11140029	69

<b>ZORZI</b>			
1006500	114150	11120150	36
1006506	115005	11140003	71

CONVOLUTED  
AIR SPRINGS

**CROSS  
REFERENCE  
LIST**



## CROSS REFERENCES

Cross Reference	Reference	Order No	Page No
<b>AUTOMANN</b>			
ABSP 2B 07 RA-7659	113040	11120235	17

<b>BMC</b>			
57RS306423	111152	11101011	16
57RS3066424	115021	11140014	72

<b>BOSCH</b>			
1915041000	111001	11101001	11
822419002	111002	11101002	12
822419003	111003	11101003	14
822419004	111004	11101004	15
822419008	111005	11101005	14
822419009	111006	11101006	15
822419042	113053	11120022	21
822419043	113004	11120004	26
822419044	113306	11120049	44
822419045	113453	11120101	56
822419062	113054	11120023	21
822419063	113482	11120117	26
822419064	113313	11120056	44
822419065	113460	11120105	57
822419081	115032	11140022	77
822419082	115054	11140028	80

<b>CF GOMMA</b>			
20/207773	113002	11120002	28
20/86599	114001	11120143	31
206797	113001	11120001	26
20L	113481	11120116	34
20L/207065	113476	11120112	35
20L/207776	113010	11120009	34
245 BV / 92142	114151	11120151	36
322 BB 204413	115028	11140018	77
322 BB 204450	115029	11140019	77
T20L / 207065	113082	11120250	29
T21	113358	11120077	60
T22B / ST200860C	113556	11120142	47
T26	113250	11120045	41
T26 / 84181	113053	11120022	21
T28B / 90559	115003	11140001	70

<b>CHEVROLET</b>			
C&K-1500 SILVERADO	113431	11120209	40
C&R 10.20.30.3500 (4X2 only)	113430	11120212	39
SIERRA (4X2, 4X4)	113431	11120209	40

<b>CONTITECH</b>			
2682 060000	113306	11120049	44
603N	114050	11120145	22
608 M	113250	11120045	41
608 N	114250	11120152	41
620 M Hydro / 2680898006	113150	11120042	36
620 N	114150	11120150	36
620 N Hydro	114151	11120151	36
FD 120-17 61361	113054	11120023	21
FD 120-20 509	113067	11120029	21
FD 138-18 1/2M10	113060	11120027	23

Cross Reference	Reference	Order No	Page No
FD 138-18S	114051	11120146	23
FD 200-19 1/4 M10 72047	113001	11120001	26
FD 200-19 310	113027	11120018	27
FD 200-19 315	113028	11120019	27
FD 200-19 319 / 161017	113487	11120120	27
FD 200-19 320	113017	11120014	27
FD 200-19 505 / 161300	113026	11120017	30
FD 200-19 53863	113018	11120015	28
FD 200-19 539 / 161303	113501	11120129	28
FD 200-19 72045	113482	11120117	26
FD 200-19 72046	113004	11120004	26
FD 200-19 P04/895 N/72044	113002	11120002	28
FD 200-19 S / 895 N / 72021	114001	11120143	31
FD 200-25 / 1/4 M10 (62892)	113012	11120011	34
FD 200-25 / 60382	113483	11120118	34
FD 200-25 426 / 161 332	113502	11120130	34
FD 200-25 429 / 161335	113013	11120012	34
FD 200-25/60555	113484	11120119	34
FD 210-22 1/2 M10	113100	11120038	37
FD 210-22 S	114100	11120149	37
FD 330-22	113306	11120049	44
FD 330-22	113308	11120051	45
FD 330-22 / 60031	113313	11120056	44
FD 330-22 313	113333	11120063	45
FD 330-22 318 / 64488	113339	11120065	43
FD 330-22 331 / 64270	113334	11120064	43
FD 330-22 363	113490	11120123	45
FD 330-22 607N	114301	11120154	43
FD 331-26 480	113341	11120066	50
FD 331-26 541	113343	11120068	50
FD 412-18	113305	11120048	42
FD 412-18 1/2 M10 / 66334	113300	11120046	42
FD 412-18 P01	113301	11120047	42
FD 412-18 S	114300	11120153	42
FD 530-22 / 2682 075 000	113453	11120101	56
FD 530-22 2682	113452	11120100	57
FD 530-22 311	113454	11120102	57
FD 530-22 316	113464	11120107	57
FD 530-22 321	113466	11120108	56
FD 530-22 342	113503	11120184	56
FD 530-22 374	113495	11120181	56
FD 530-22 61362	113460	11120105	57
FD 530-30 451 / 161373	113480	11120180	54
FD 530-30 518 / 161374	113499	11120127	54
FD 530-30 519 / 161375	113500	11120128	54
FD 530-30 532 / 707	113479	11120115	54
FD 614-26	114350	11120157	60
FD 614-26	113353	11120072	60
FD 614-26	113354	11120073	60
FD 614-26	113355	11120074	60
FD 614-26	113358	11120077	60
FD 614-26	113359	11120078	60
FD 614-26	114351	11120158	61
FD 614-26	113350	11120069	61
FD 614-26	113351	11120070	61
FD 614-26	113352	11120071	61
FD 614-26	113356	11120075	61
FD 614-26	113357	11120076	61



## CROSS REFERENCES

Cross Reference	Reference	Order No	Page No
FD 614-26	113361	11120079	61
FD-120-17 2682 030000	113053	11120022	21
FD200-19 452	113081	11120249	31
FD200-19 510	113014	11120210	30
FD200-19 P02	113082	11120250	29
FD200-25 S	114004	11120144	34
FD330-22 780	113491	11120124	45
FD330-30 323	113493	11120178	49
FD330-30 369	113316	11120177	49
FD330-30 371	113494	11120179	49
FS 120-9 60479	112004	11101015	14
FS 120-9 61358	111005	11101005	14
FS 200-10 2681 045 000	111004	11101004	15
FS 200-10 60030	111006	11101006	15
FS 200-10 60319	112005	11101016	15
FS 50-5 61388	111001	11101001	11
FS 50-5 62242	112002	11101013	11
FS 70-7 1/4 M8	111002	11101002	12
FS 70-7 60512	112003	11101014	12
FS 70-7 60512	114005	11120175	24
FS120-9 2681 030 000	111003	11101003	14
FT 210-32	115056	11140030	69
FT 210-32 1/2 M10	115055	11140029	69
FT 330-29 413	115016	11140012	73
FT 330-29 431/469	115034	11140023	73
FT 330-29 432	115035	11140074	75
FT 330-29 433	115036	11140072	74
FT 330-29 498	115035	11140074	75
FT 330-29 503	115027	11140017	75
FT 330-29 520 / 723	115037	11140071	74
FT 330-29 546	115072	11140070	73
FT 330-29 547	115087	11140087	73
FT 330-29 61830	115024	11140016	77
FT 330-29 61831	115032	11140022	77
FT 330-29 702	115027	11140017	75
FT 330-29 773	115033	11140073	75
FT 330-29 P01	115008	11140005	78
FT 330-29 S	116004	11140060	78
FT 412-32	115004	11140002	70
FT 412-32 / 66339	115003	11140001	70
FT 412-32 S	115007	11140004	70
FT 412-32 S	116003	11140059	71
FT 412-32 S	115005	11140003	71
FT 412-32 S	115011	11140008	71
FT 412-32 S	115012	11140009	71
FT 412-32 S	115013	11140069	71
FT 530-32	116055	11140068	81
FT 530-32 _60717	115054	11140028	80
FT 530-32 325	115070	11140034	80
FT 530-32 329	115059	11140076	80
FT 530-32 333	115060	11140077	80
FT 530-32 336	115061	11140032	80
FT 530-32 535	115062	11140078	81
FT 530-35	116051	11140063	82
FT 530-35 436	115063	11140080	82
FT 530-35 437	115064	11140084	82
FT 530-35 439	115065	11140083	82
FT 530-35 441	115066	11140086	83
FT 530-35CI/61330	115049	11140081	82
FT 530-35CI/61366	115050	11140082	82

Cross Reference	Reference	Order No	Page No
FT 530-35 521	115067	11140079	82
FT 530-35 522	115068	11140033	82
FT 530-35 537	115069	11140085	82
FT 614-36	115105	11140043	84
FT 614-36	115109	11140047	84
FT 614-36 1/2M10	115108	11140046	84
FT 614-36 S	116100	11140065	84
FT 614-36 S	115103	11140041	84
FT 614-36 S	115104	11140042	84
FT 614-36 S	116101	11140066	85
FT 614-36 S	115100	11140038	85
FT 614-36 S	115101	11140039	85
FT 614-36 S	115102	11140040	85
FT 614-36 S	115106	11140044	85
FT 614-36 S	115107	11140045	85
FT 614-36 S	115110	11140048	85
FT 614-36 S	115111	11140049	85
FT 614-36 S	115113	11140050	85

### DODGE

RAM 1500-2500-3500 (4X2, 4X4)	113430	11120212	39
RAM 1500-2500-3500 MEGA CAB (REAR)	113440	11120230	32

### DUNLOP

12"x3 RE NB SP 12350	115009	11140006	77
6"x2	113070	11120031	18
6"x2	113072	11120033	18
6"x2	114055	11120148	19
6"x2	113074	11120035	19
6"x2	113075	11120036	19
6"x2 SP 1482	113073	11120034	18
6"x2 SP 917	114053	11120147	18
8"x2	114051	11120146	23
DB 06110	111020	11101028	13
DB 06110B	111020	11101028	13
DB 06219	113071	11120032	18
S 12302 (12"x3 NB)	115010	11140007	77
S09204	113476	11120112	35

### DUNLOP (FR)

10"x2 SP 920	114100	11120149	37
12"x 3 RE	116003	11140059	71
12"x 3 RE SP 1542 NB	115011	11140008	71
12"x 3 RE SP 2271 NB	115013	11140069	71
12"x 3 RE SP 2597 NB	115005	11140003	71
12"x 3 RE SP 2666 NB	115012	11140009	71
12"x 3 SP 1542 NB	115003	11140001	70
12"x 3 SP 259	116001	11140057	70
12"x 3 SP 2666NB	115004	11140002	70
12"x2	113342	11120067	49
12"x2 S 12201	113312	11120055	44
14" 1/2 x 2RE	114351	11120158	61
14" 1/2 x 2RE	113350	11120069	61
14" 1/2 x 2RE	113351	11120070	61
14" 1/2 x 2RE	113352	11120071	61
14" 1/2 x 2RE	113356	11120075	61
14" 1/2 x 2RE	113357	11120076	61
14" 1/2 x 3	115109	11140047	84



## CROSS REFERENCES

Cross Reference	Reference	Order No	Page No
14"½ x 3 RE	115100	11140038	85
14"½ x 3 RE	115101	11140039	85
14"½ x 3 RE	115102	11140040	85
14"½ x 3 RE	115107	11140045	85
14"½ x 3 SP 1558	115108	11140046	84
14"½ x 3 SP 2007	116100	11140065	84
14"½ x 3 SP 2169	115105	11140043	84
14"½ x 3 SP 2279	115103	11140041	84
14"½ x 3 SP 2547	115104	11140042	84
14"1/2 x 2/ SP 1988	113354	11120073	60
14" 1/2x2	113353	11120072	60
16" x 2	113404	11120086	62
16" x 2 RE	114401	11120160	63
16" x 2 RE	113400	11120082	63
16" x 2 RE	113401	11120083	63
16" x 2 RE	113402	11120084	63
16" x 2 RE	113406	11120088	63
16" x 2 RE	113407	11120089	63
16" x 2 SP 1557	113408	11120090	62
16" x 2 SP 2340	113403	11120085	62
16"x 3 RE	116151	11140067	86
16"x 3 RE	115150	11140051	86
16"x 3 RE	115151	11140052	86
16"x 3 RE	115152	11140053	86
16"x3 RE-SP 2141	115155	11140056	86
16"x3 RE-SP 2156	115153	11140054	86
16"x3 RE-SP 2156	115154	11140055	86
8"x1 S08100	111005	11101005	14
8"x1 S08101	111003	11101003	14
9"¼ SO 9203	113003	11120003	27
9"¼ x2 SO 9280	113012	11120011	34
9"1/4x1 S09101	111004	11101004	15
9"¼ S09201	113482	11120117	26
S 12202 12X2	113308	11120051	45
SO 9280	113010	11120009	34
S09201	113002	11120002	28
S09204	113481	11120116	34
S12280	113311	11120054	49
S12280	113493	11120178	49
SO 8201	113053	11120022	21
SO 9201 NB	113001	11120001	26
SP 1003 (10"x2)	113101	11120039	37
SP 1015 (10"x 3)	115055	11140029	69
SP 1015 (10"x 3)	115056	11140030	69
SP 1025 NB	113305	11120048	42
SP 1033 NB	115007	11140004	70
SP 1039(14" 1/2x2)	114350	11120157	60
SP 1041 / 14" 1/2x2	113355	11120074	60
SP 1194 / 1998	114400	11120159	62
SP 1490(8"x2) / SP918	113060	11120027	23
SP 1538 (10"x2)	113100	11120038	37
SP 1539 (10"x 3)	115055	11140029	69
SP 1541 NB (12x2)	113300	11120046	42
SP 1556	113358	11120077	60
SP 1988	113359	11120078	60
SP 2007 RE	116101	11140066	85
SP 2008 RE	115106	11140044	85
SP 2169 RE	115110	11140048	85

Cross Reference	Reference	Order No	Page No
SP 2169 RE	115113	11140050	85
SP 2526 RE	115111	11140049	85
SP 256 NB	114300	11120153	42
SP 2599	113361	11120079	61
SP 2665 NB(12"x2)	113301	11120047	42
SP 2770/12X2	114304	11120156	51
SP 2782 NB/12X2 A.NB	113330	11120062	51

### DUNLOP (UK)

Cross Reference	Reference	Order No	Page No
01128A-AP	113001	11120001	26
PNP 037 690 200	113027	11120018	27
PNP 305450110	116005	11140061	69
PNP 3055 20 118	113300	11120046	42
PNP304140142	115108	11140046	84
PNP305500112	113060	11120027	23
PNP305520178	115003	11140001	70

### FESTO

Cross Reference	Reference	Order No	Page No
EB 165 65	111002	11101002	12
EB-215-155	113053	11120022	21
EB-215-80	111003	11101003	14
EB-250-185	113004	11120004	26
EB-250-85	111004	11101004	15
EB-325-215	113313	11120056	44
EB-385-230	113460	11120105	57

### FIRESTONE

Cross Reference	Reference	Order No	Page No
950.023	113546	11120135	25
950.037	114301	11120154	43
950.038	113548	11120137	55
950.047	116008	11140062	73
950.082	114301	11120154	43
950.154	115086	11140036	76
950.318	113547	11120136	33
950.327	113506	11120131	34
20 T3 095.0353	113475	11120111	29
20-2 T3 095.0256	113012	11120011	34
20-T3 095.0313	113474	11120110	27
21 - 095.0035	114450	11120161	56
21T2 W01 358 7135	113454	11120102	57
22 T3	113357	11120186	45
22-1.5 T3 / 095.0258	113325	11120059	49
22T3 / 095 .0257	113477	11120113	44
233-2 T2 095.0362	113478	11120114	53
233-2 T2 095.0508	113507	11120132	52
257-1 095.0439	113508	11120133	38
267C1.5	114430	11120211	39
38R T3 095.0274	115023	11140015	75
38R/38D	116008	11140062	73
A01-760-6401	113440	11120230	32
fole 210 095.0082	113301	11120047	42
W01 095 0175	114100	11120149	37
W01 095 0219	114150	11120150	36
W01 358 0010	112002	11101013	11
W01 358 0118	112005	11101016	15
W01 358 0131	112003	11101014	12
W01 358 0133	112004	11101015	14
W01 358 0142	114050	11120145	22

## CROSS REFERENCES

Cross Reference	Reference	Order No	Page No
W01 358 0226	114301	11120154	43
W01 358 0259	114302	11120155	49
W01 358 6890	113501	11120129	28
W01 358 6902	113027	11120018	27
W01 358 6905	113028	11120019	27
W01 358 6910	113017	11120014	27
W01 358 6932	113081	11120249	31
W01 358 6948	113013	11120012	34
W01 358 7136	113466	11120108	56
W01 358 7140	113464	11120107	57
W01 358 7208	113461	11120106	57
W01 358 7221	113498	11120126	57
W01 358 7325	113053	11120022	21
W01 358 7325	113067	11120029	21
W01 358 7327	113068	11120030	21
W01 358 7400	113333	11120063	45
W01 358 7403	113339	11120065	43
W01 358 7410	113334	11120064	43
W01 358 7440	113311	11120054	49
W01 358 7550	113343	11120068	50
W01 358 7555	113341	11120066	50
W01 358 7636	113545	11120134	50
W01 358 7659	113040	11120235	17
W01 358 7798	115059	11140076	80
W01 358 7800	115060	11140077	80
W01 358 7818	115070	11140034	80
W01 358 7929	114452	11120163	57
W01 358 8016	115036	11140072	74
W01 358 8030	115035	11140074	75
W01 358 8032	115016	11140012	73
W01 681 7110	113464	11120107	57
W01 M58 6140	111001	11101001	11
W01 M58 6155	111002	11101002	12
W01 M58 6165	111003	11101003	14
W01 M58 6166	111005	11101005	14
W01 M58 6200	113309	11120052	45
W01 M58 6353 / 026B 095.0275	113054	11120023	21
W01 M58 6374	111004	11101004	15
W01 M58 6375	111006	11101006	15
W01 M58 6381	113308	11120051	45
W01 M58 6387	113053	11120022	21
W01 M58 6891	113038	11120020	35
W01 M58 7182	113038	11120020	35
W01 M58 7394	113010	11120009	34
W01 M58 7679	113010	11120009	34
W01 M58 7894	113002	11120002	28
W01 M58 8017	115010	11140007	77
W01 R58 40 65	115108	11140046	84
W01 R58 4037	115004	11140002	70
W01 R58 4062	115003	11140001	70
W01 S05 7182	113011	11120010	35
W01-095-0009	114001	11120143	31
W01-358 7224	113452	11120100	57
W01-358-0213	114450	11120161	56
W01-358-0297	114001	11120143	31
W01-358-6800	113499	11120127	54
W01-358-6801	113480	11120180	54
W01-358-6805	113479	11120115	54

Cross Reference	Reference	Order No	Page No
W01-358-6808	113500	11120128	54
W01-358-6897	113026	11120017	30
W01-358-6900	113487	11120120	27
W01-358-6943	113502	11120130	34
W01-358-6951	113488	11120121	34
W01-358-6952	113489	11120122	34
W01-358-7143	113496	11120182	56
W01-358-7144	113497	11120183	56
W01-358-7145	113495	11120181	56
W01-358-7146	113503	11120184	56
W01-358-7180	113490	11120123	45
W01-358-7184	113491	11120124	45
W01-358-7185	113492	11120125	45
W01-358-7442	113494	11120179	49
W01-358-7443	113493	11120178	49
W01-358-7444	113316	11120177	49
W01-358-7788	113014	11120210	30
W01-358-7797	115062	11140078	81
W01-358-7808	115061	11140032	80
W01-358-7838	115063	11140080	82
W01-358-7839	115064	11140084	82
W01-358-7845	115067	11140079	82
W01-358-7848	115065	11140083	82
W01-358-7850	115066	11140086	83
W01-358-7853	115069	11140085	82
W01-358-7855	115068	11140033	82
W01-358-7994	115072	11140070	73
W01-358-7995	115087	11140087	73
W01-358-7996	115037	11140071	74
W01-358-8008	115034	11140023	73
W01-358-8010	115035	11140074	75
W01-358-8013	115033	11140073	75
W01-358-8025	115034	11140023	73
W01-358-8028	115034	11140023	73
W01-968-6771	113012	11120011	34
W01-M58 7501	113558	11120189	56
W01-M58-6183	113484	11120119	34
W01-M58-6185	113004	11120004	26
W01-M58-6187	113482	11120117	26
W01-M58-6875	113342	11120067	49
W01-M58-6887	113001	11120001	26
W01-M58-6891	113018	11120015	28
W01-M58-6910	113001	11120001	26
W01-M58-7679	113482	11120117	26
W01-M58-7756	113082	11120250	29
W01-M58-7887	113001	11120001	26
W01-R58 4059	115055	11140029	69
W01-R58-4055	113060	11120027	23
W01-R58-4058	113100	11120038	37
W01-R58-4061	113300	11120046	42
W01R584064	113358	11120077	60
W01-R58-4073	113301	11120047	42
W21-760-6397	113431	11120209	40
W21-760-6781	113430	11120212	39
095.0113	116055	11140068	80-81
095.0166	116051	11140063	82-83



## CROSS REFERENCES

Cross Reference	Reference	Order No	Page No
<b>FIRESTONE FLEX</b>			
38	116004	11140060	78
14x3.5	116100	11140065	84
10x3	116005	11140061	69
115	112005	11101016	15
116	112004	11101015	14
12x3	116001	11140057	70
131	112003	11101014	12
14.5 x 2	114350	11120157	60
16	112002	11101013	11
20	114001	11120143	31
20-2	114004	11120144	34
205	114452	11120163	57
21	114450	11120161	56
22	114301	11120154	43
22-1,5 / 095.0092	114302	11120155	49
224C	113440	11120230	32
228-1,5	113545	11120134	50
26	113040	11120235	17
26	114050	11120145	22
267C1.5	113430	11120212	39
267C1.5	113431	11120209	40
313	116055	11140068	81
333	116051	11140063	82
8x2	114051	11120146	23

<b>FORD</b>			
BRONCO FULL SIZE (4X4)	113430	11120212	39
F-100,F-150, 5-250, F-350, PICKUPS (4X2, 4X4)	113430	11120212	39
F-150 (4X2, 4X4)	113431	11120209	40
F-250, F-350 OVER 8500 GVWR (4X2, 4X4)	113430	11120212	39
F250/F350 (REAR)	113440	11120230	32

<b>GART</b>			
271.3.298 ( T271/S )	115028	11140018	77
271.3.298 / 2	115029	11140019	77
T271 / S 271.3.296	115008	11140005	78
T291/2 (291.2.200)	113001	11120001	26
T291/2 2912203	113002	11120002	28
T291/2B (291.2.260)	113010	11120009	34
T291/2B (291.2.263)	113481	11120116	34
T291/2B-291.2.263	113476	11120112	35
T291/B	112001	11101017	16
T291/B (291.1.170) / MERCEDES-ACTROS-TURKEY	111150	11101010	16

<b>GOODYEAR</b>			
2B 9-223	113001	11120001	26
2B9-613	113018	11120015	28
2B9-700	113002	11120002	28
2B9-729	113018	11120015	28
2B9-742	113018	11120015	28
3B12-2452	115003	11140001	70
2B12-2452 / 578 9 2 3 2452	113300	11120046	42
2B12-2457 / 9 2 3 2452	113301	11120047	42
2B 14 - 465	113558	11120189	56
2B 14-360/556 2 2 8554	113454	11120102	57
2B 8-550	113052	11120021	21
2B 9-257	113488	11120121	34
2B 9-269	113010	11120009	34

Cross Reference	Reference	Order No	Page No
2B10-2350	113100	11120038	37
2B12- 318 / 578 9 2 3309	113492	11120125	45
2B12 425	113490	11120123	45
2B12-305	113311	11120054	49
2B12-305 / 578 9 2 3310	113493	11120178	49
2B12-307	113339	11120065	43
2B12-309	113333	11120063	45
2B12-346	113343	11120068	50
2B12-406 / 578 9 2 3309	113334	11120064	43
2B12-416 / 2B12-446	113316	11120177	49
2B12-419	113494	11120179	49
2B12-425 / 300	114250	11120152	41
2B12-429	113491	11120124	45
2B12-440 / 578 9 2 3315	113341	11120066	50
2B14 356 / 578 9 2 3351	113466	11120108	56
2B14 356 / 578 9 2 3353	113466	11120108	56
2B14-352	113496	11120182	56
2B14-353	113497	11120183	56
2B14-354 / 578 9 2 3353	113495	11120181	56
2B14-355	113503	11120184	56
2B14-359	113464	11120107	57
2B14-361	113480	11120180	54
2B14-363	113499	11120127	54
2B14-365 / 578 9 2 3356	113480	11120180	54
2B14-452	113480	11120180	54
2B14-462	113479	11120115	54
2B7-540 / 2B8-2152	113053	11120022	21
2B7-548	113040	11120235	17
2B8-2150	113060	11120027	23
2B8-550	113067	11120029	21
2B8-552	113068	11120030	21
2B8-850	113054	11120023	21
2B9-200	113017	11120014	27
2B9-201 / 578 9 2 3202	113027	11120018	27
2B9-206 / 578 9 2 3202	113028	11120019	27
2B9-216 / 578 9 2 3202	113487	11120120	27
2B9-229	113026	11120017	30
2B9-234	113082	11120250	29
2B9-239 / 578 9 2 3211	113027	11120018	27
2B9-245 / 578 9 2 3202	113014	11120210	30
2B9-246	113081	11120249	31
2B9-250 / 578 9 2 3206	113502	11120130	34
2B9-251 / 578 9 2 3206	113013	11120012	34
2B9-70 1	113476	11120112	35
2B9-701 / 578 9 2 3206	113481	11120116	34
3B12 - 319	115016	11140012	73
3B12-2455	115004	11140002	70
3B12-300	115034	11140023	73
3B12-301	115035	11140074	75
3B12-304	115027	11140017	75
3B12-305	115033	11140073	75
3B12-315/329	115087	11140087	73
3B12-328	115072	11140070	73
3B12-335	115037	11140071	74
3B14-350	115061	11140032	80
3B14-356	115059	11140076	80
3B14-356	115063	11140080	82
3B14-359	115070	11140034	80
3B14-359 / 444	115064	11140084	82

# CROSS REFERENCES

Cross Reference	Reference	Order No	Page No
3B14-360	115060	11140077	80
3B14-360	115065	11140083	82
3B14-370 / 452	115066	11140086	83
556 2 2 8406	113550	11120139	34
556 2 2 8416	113357	11120186	45
556 2 2 8418	113547	11120136	33
556 2 2 8425	113546	11120135	25
556 2 2 8442	113477	11120113	44
556 2 2 8520	113475	11120111	29
556 2 2 8521	113474	11120110	27
556 2 2 8634	113326	11120060	49
556 2 2 8647	113478	11120114	53
556 2 2 8649	113482	11120117	26
556 2 2 8656	113473	11120109	34
556 2 2 8657	113506	11120131	34
556 2 2 8725	113507	11120132	52
556 2 3 8064	113419	11120226	64
556 2 3 8064	113417	11120218	65
556 2 3 8064	113418	11120228	66
556 2 3 8064	113417	11120218	65
556 2 3 8083	113136	11120198	67
556 2 3 8083	113135	11120041	68
556 2 3 8342/556 2 2 8418	113508	11120133	38
556 2 3 8411	113548	11120137	55
556 3 2 8401	115023	11140015	75
556 3 2 8534	115086	11140036	76

GOODYEAR FLEX			
2B 14 / 578 9 2 3353	114450	11120161	56
556 2 3 8064	114613	11120167	64
556 2 3 8083	114714	11120166	67
556 2 3 8210 / 578 9 2 3309	114301	11120154	43
556 2 3 8328	114302	11120155	49
578 9 2 3206	114004	11120144	34
578 9 2 3310	114302	11120155	49
556 2 3 8329/ 578 9 2 3353	113548	11120137	55
556 2 3 8338	113507	11120132	52
556 2 3 8338	113478	11120114	53
556 3 3 8334	116008	11140062	73
578 9 2 3211	114001	11120143	31
578 923 2150	114051	11120146	23
578 93 3 100	116008	11140062	73
578-92-3-309	113333	11120063	45
578-92-3-309	113490	11120123	45
578-93-3-350	116055	11140068	81
578 9 3 3 2451	115003	11140001	70

HENDRICKSON			
5079	113040	11120235	17
10170	113334	11120064	43
12514-014	113454	11120102	57
13039	115059	11140076	80
13157	115061	11140032	80
1346	115062	11140078	81
14395	113067	11120029	21
B-1159/B-2883/12514-001	113339	11120065	43
B-3184	113464	11120107	57
B-3518 / 5270 / 45843-1	113028	11120019	27
B-8768 / 45843-3	113017	11120014	27
HS 507906/P	113320	11120058	48

Cross Reference	Reference	Order No	Page No
HS 507907/P	113015	11120013	24
S-1013	113333	11120063	45
S1080	113466	11120108	56
S13035	113493	11120178	49
S13038	113495	11120181	56
S13046	113503	11120184	56
S-2630	113027	11120018	27
S9830	113316	11120177	49

ISUZU			
ISUZU	113504	11120202	58

JARFLEX			
6.13	114613	11120167	64
6.13	113419	11120226	64
6.13	113417	11120218	65
6.13	113418	11120228	66
7.14	113136	11120198	67
7.14	113136	11120198	67
7.14	114714	11120166	67
7.14	113135	11120041	68

LINCOLN			
MARK LT (4X2, 4X4)	113431	11120209	40

NORGREN			
M / 31122 (12"x2)	113300	11120046	42
M/31062 (6"x2)	113075	11120036	19
M/31082 (8"x2)	113060	11120027	23
M/31102 (10"x2)	113100	11120038	37
M/31103 (10"x 3)	115055	11140029	69
M/31123 (12"x3)	115003	11140001	70
M/31142 (14"1/2x2)	113358	11120077	60
M/31143 (14"1/2 x 3 )	115109	11140047	84
PM/31081 (8"x1)	111003	11101003	14
PM/31082 (8"x2)	113053	11120022	21
PM/31091 (9"1/4x1)	111004	11101004	15
PM/31092 (9"1/4x2)	113004	11120004	26
PM/31122 (12x2)	113309	11120052	45
PM/31123(12"x3)	115082	11140075	77

PHOENIX			
2 B 07 R	114050	11120145	22
2 B 34 RB	114451	11120162	59
2B 12R	114001	11120143	31
2B 12R-5	113002	11120002	28
2B 12R-8	113549	11120138	28
2B 15 R	114150	11120150	36
2B 20R	114250	11120152	41
2B 22R	114301	11120154	43
2B 22R	113308	11120051	45
2B 34R	114450	11120161	56
SP 1 B 07	111013	11101008	14
SP 1B 05	111002	11101002	12
SP 2 B 34 R	113451	11120099	59
SP 2B 07R	113052	11120021	21
SP 2B 12R	113001	11120001	26
SP 2B 12R-1	113004	11120004	26
SP 2B 12R-12	113015	11120013	24



## CROSS REFERENCES

Cross Reference	Reference	Order No	Page No
SP 2B 12R-17	113082	11120250	29
SP 2B 22R	113310	11120053	44
SP 2B 22R	113313	11120056	44
SP 2B 22-R1 51666	113556	11120142	47
SP 2B 22Ra-2	113320	11120058	48
SP 2B 34R	113450	11120098	56
SP2B12R-A-10	113010	11120009	34
SP2B12R-A-10	113012	11120011	34
SP2B12R-A-3	113481	11120116	34
SP2B12R-A-3	113476	11120112	35

PIRELLI			
1938	113453	11120101	56
1938	113452	11120100	57
26	114050	11120145	22
322 BB-93410	115009	11140006	77
93410 322 B.B	115030	11140020	77
T20	113001	11120001	26
T20 86600	114001	11120143	31
T20 86660	113002	11120002	28
T22	114301	11120154	43
T245 93625	114150	11120150	36
T245 93740	113151	11120043	36
T245 BV	114151	11120151	36
T245 BV 92141	113150	11120042	36
T26 84181	113053	11120022	21

PNEUMATIS			
DB 06219	113074	11120035	19

RUBENA			
170"x2	114059	11120256	20
170"x2	114058	11120255	20
170"x2	114057	11120236	20
340"x3	116060	11140103	79

SCANIA			
1503813-7317	113554	11120141	46
1510249	113329	11120061	46

SPRINGRIDE			
6X1	112020	11101029	13
6X1	111020	11101028	13

TAURUS			
F 221-300	114450	11120161	56
KF 216	113002	11120002	28
KF 218	113053	11120022	21
KF 222-7400	113333	11120063	45
KF 222-7410	113334	11120064	43
KF211-200	114250	11120152	41
KF218-6902	113027	11120018	27
KF218-6905	113028	11120019	27
KF218-6910	113017	11120014	27
KF222-7403	113339	11120065	43

Cross Reference	Reference	Order No	Page No
TOYOTA			
TUNDRA (4X4 only)	113431	11120209	40
TUNDRA TRD (4X2 only)	113431	11120209	40

VIBRACOUSTIC			
V2B15R	114150	11120150	36
V2B20R	114250	11120152	41
V2B22R	114301	11120154	43
V2B34R	114450	11120161	56
VSP 2B 12RA-10	113010	11120009	34
VSP2B12RA-3	113476	11120112	35
VSP2B34R	113450	11120098	56

WEFORMA			
WBD 500-E1	115024	11140016	77
WBD 500-E2	115032	11140022	77
WBD 600 E1	115053	11140027	80
WBD 600-E2	115054	11140028	80
WBD 600-E3	115051	11140026	80
WBD-G 450	115055	11140029	69
WBD-G 550	115003	11140001	70
WBD-G 590	115109	11140047	84
WBE 150-E1	111001	11101001	11
WBE 200-E1	111002	11101002	12
WBE 300-E1	111003	11101003	14
WBE 300-E2	111005	11101005	14
WBE 400-E1	111004	11101004	15
WBE 400-E2 / 410-E1	111006	11101006	15
WBZ 300-E1	113053	11120022	21
WBZ 300-E2	113054	11120023	21
WBZ 400 E1	113004	11120004	26
WBZ 400-E2	113482	11120117	26
WBZ 430-E1	113483	11120118	34
WBZ 430-E2	113484	11120119	34
WBZ 500-E1	113306	11120049	44
WBZ 500-E2	113313	11120056	44
WBZ 500-E2	113314	11120057	44
WBZ 600-E1	113453	11120101	56
WBZ 600-E2	113460	11120105	57
WBZ-G 210	113075	11120036	19
WBZ-G 350	113060	11120027	23
WBZ-G 450	113100	11120038	37
WBZ-G 550	113300	11120046	42
WBZ-G 600	113358	11120077	60



# SLEEVE TYPE AIR SPRINGS

CABIN  
AIR SPRINGS



LIFT - AXLE



BELT-TENSIONER  
AIR SPRINGS



DRIVER'S SEAT  
AIR SPRINGS





# SLEEVE TYPE AIR SPRINGS

CABIN  
AIR SPRINGS

LIFT - AXLE

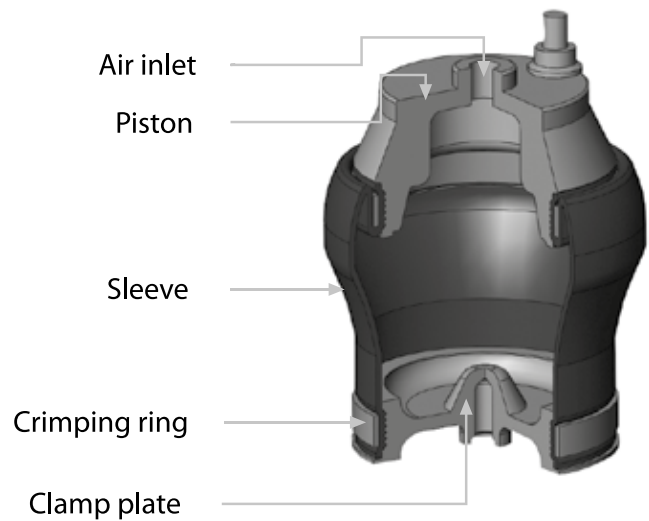
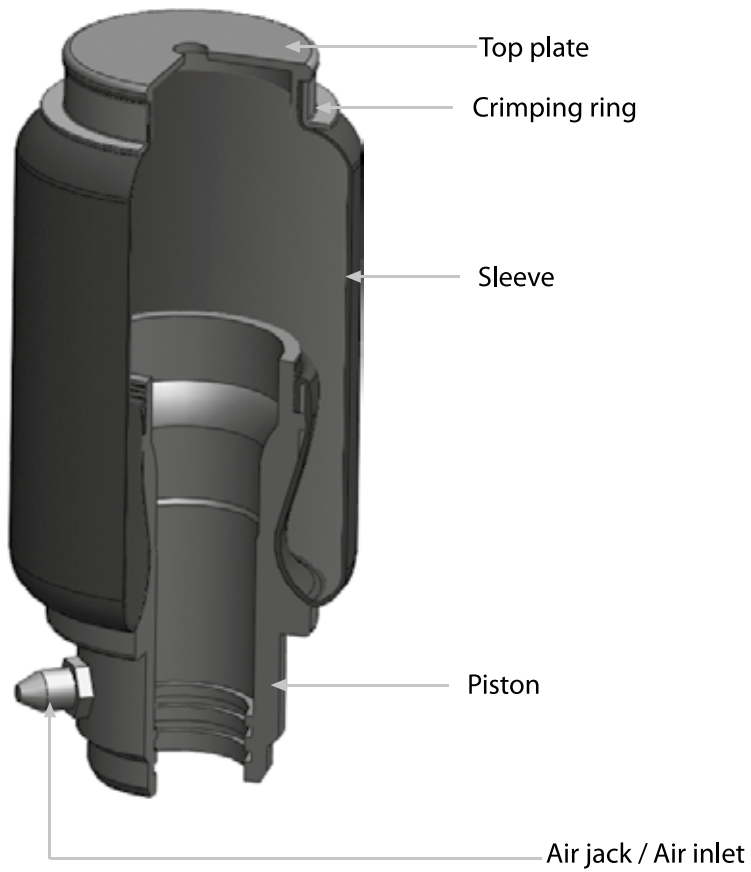
BELT-TENSIONER  
AIR SPRINGS

DRIVER'S SEAT  
AIR SPRINGS



# AIRKRAFT

## SLEEVE STYLE AIR SPRINGS COMPONENTS



All data in catalogue are informational. A.I.R Süspansiyon does not warrant the correctness or the completeness of these information and has the right apply changes when necessary, without notice. A.I.R Süspansiyon 2018 All rights reserved

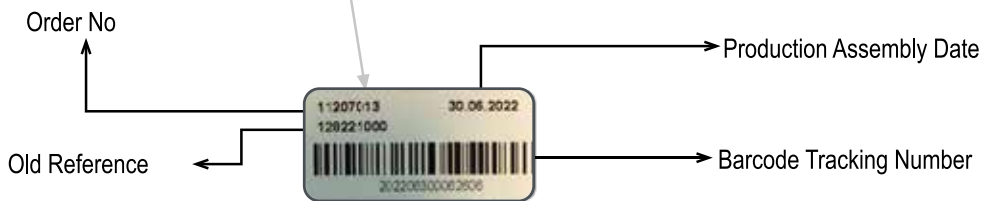
# AIRKRAFT

## PRODUCT ID AND TRACEABILITY

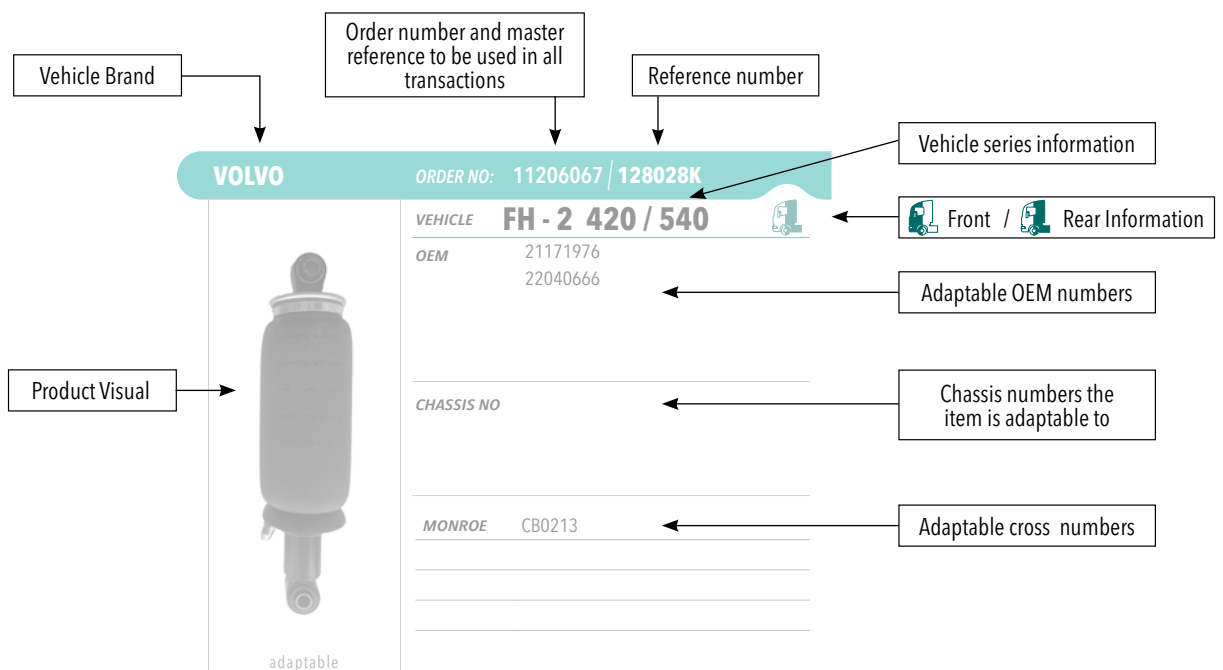


### BARCODE

Barcoding system provides AIRKRAFT products a maximum traceability down to the raw material. Via the barcode number on the label, it is possible to answer all questions regarding the product, until the final customer.



### How to use the catalogue




# CABIN AIR SPRINGS



# DAF CABIN AIR SPRINGS



**DAF** ORDER NO: 11207001 / 128033K


**VEHICLE** 65/75/85/95/CF/XF 

**OEM** 1265281 / 1285393 / 1321590 /  
1353450 / 1353453 / 1371065 /  
1444147 / 1622211 / 375224


CHASSIS NO

**MONROE** CB0033

**GOODYEAR** 1SA-AS 009

 adaptable

**DAF** ORDER NO: 11207002 / 128034K


**VEHICLE** 65/75/85/95/CF/XF 

**OEM** 1265282 / 1285394 / 1321591 /  
1353451 / 1353454 / 1371066 /  
1623477 / 299862 / 1792421 /  
1792423


CHASSIS NO

**MONROE** CB0034

**GOODYEAR** 1SA-AS 010

 adaptable


**DAF** ORDER NO: 11207013 / 128221K

**VEHICLE** XF 


**OEM** 1850682  
1931023

CHASSIS NO

**MONROE** CB0221

 adaptable


**DAF** ORDER NO: 11207011 / 128222K

**VEHICLE** CF 

**OEM** 1938641  
1938643

CHASSIS NO

**MONROE** CB0222

 adaptable

# DAF CABIN AIR SPRINGS

DAF

ORDER NO: 11207012 / 128223K



adaptable

VEHICLE **CF / XF**



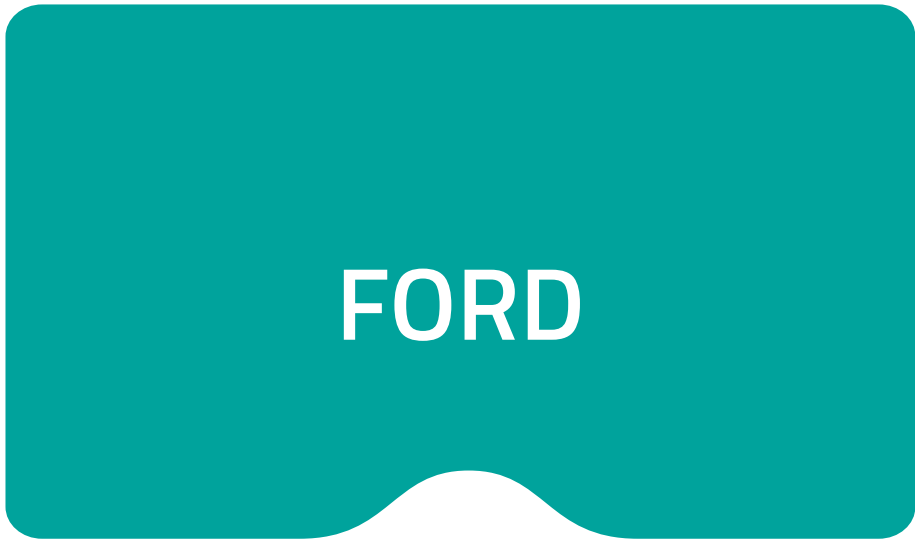
OEM 1850683  
1931024  
1931026

CHASSIS NO

MONROE CB0223



# FORD CABIN AIR SPRINGS



**FORD** ORDER NO: 11229072 / 121062

VEHICLE **CARGO** 

OEM 3C46 - 5C062 - AA

---

CHASSIS NO FORD CARGO :  
2524 - 2530R - 3230S - C (Front)

---

CROSS CF / PIRELLI 7514206723

---



---



---

adaptable

**FORD** ORDER NO: 11229117 / 128060K

VEHICLE **CARGO** 

OEM DC46-5C063-HA

---

CHASSIS NO CARGO H566

---

CROSS

---



---



---

adaptable

**FORD** ORDER NO: 11229121 / 128061K

VEHICLE **FORD CARGO** 

DC46 - 5C063 - GA

---

CHASSIS NO CARGO H566

---

CROSS

MAYSAN MANDO N7370606

---



---



---

adaptable

**FORD** ORDER NO: 11229122 / 128062K

VEHICLE **FORD CARGO** 

DC46 - 5C063 - AA

---

CHASSIS NO

---

CROSS

SACHS 731 700 007 314

---



---



---

adaptable

# FORD CABIN AIR SPRINGS

**FORD**

ORDER NO: 11229123 / 128063K



adaptable

VEHICLE **FORD CARGO**



OEM DC46 - 5C063 - BB

CHASSIS NO

CROSS

SACHS 731 700 008 570



# IVECO CABIN AIR SPRINGS

## IVECO

**IVECO**

ORDER NO: 11225001 / 121055



adaptable

VEHICLE **EUROTECH /  
EUROSTAR / EUROTRAKKER**



OEM 410 19 150  
816 90 50  
410 15 530

CHASSIS NO

MONROE CB0077 / CB0179  
PIRELLI I GC 130 - 30  
GOODYEAR 1AS-009

**IVECO**

ORDER NO: 11205001 / 128010K



adaptable

VEHICLE **EUROSTAR TYPE 2 EUROSTAR  
EUROTECH / EUROTRAKKER**



OEM 41028764 / 41028763 /  
500377878 / 500348793

CHASSIS NO Eurostar LD 180 E38 / LD440 E52 TZ  
Eurotech MP 180 E34 / 440 E42 TZ  
Eurotech MT 180E 34R / 400E 34R  
Euro Trakker MP190E 31H / MP 720E 47 HT

SACHS 115 743  
FIRESTONE W02-M58-8028  
GOODYEAR 1SA-AS 019  
MONROE CB0099

**IVECO**

ORDER NO: 11205003 / 128011K



adaptable

VEHICLE **EUROTECH  
EUROSTAR TYPE L**



OEM 500379698 / 500307338 /  
99438514 / 99455937 /  
500352808 / 98472734

CHASSIS NO Fahrerhaus-Fernverkehr (SPR-2)  
C-HR / L-HR / L-LR / L-MR (ONROAD)  
Fahrerhaus-Mehrzweck (SPR-2)  
L-LR / L-MR (ONROAD)

SACHS 115 731 / 115 902  
FIRESTONE W02-M58-8029  
GOODYEAR 1SA-AS 018  
MONROE CB0098

**IVECO**

ORDER NO: 11205005 / 128012K



adaptable

VEHICLE **STRALIS**



500 357 351  
500 340 705


CHASSIS NO AS260 S40 / S43 / S48 / S54  
AS440 S40 / S43 / S48 / S54


SACHS 310 820  
FIRESTONE W02-M58-8022  
MONROE CB0137



# IVECO CABIN AIR SPRINGS

**IVECO** ORDER NO: 11205008 / 128013K



**VEHICLE** STRALIS 

**OEM** 500 340 705

---

**CHASSIS NO** 190S31 - 40 - 43 AT  
260S35 - 40-43 AT  
440S40 - 43 AT  
190S40 - 43 - 48 AS

---


**ARVINMERITOR** 908 322 985


**FIRESTONE** W02-M58-8025

---

adaptable

**IVECO** ORDER NO: 11205010 / 128014K



**VEHICLE** STRALIS 

**OEM** 500 340 706

---

**CHASSIS NO** 190S31 - 40 - 48 AT  
260S40 - 44-48 - 54 AS  
440S40 - 43 - 48 - 54 - AS

---


**ARVINMERITOR** 908 322 986


**FIRESTONE** W02-M58-8026

---

adaptable

**IVECO** ORDER NO: 11205012 / 128015K



**VEHICLE** STRALIS 

**OEM** 504 060 233

---

**CHASSIS NO** 190S31 - 40 - 48 AT  
260S40 - 44-48 - 54 AS  
440S40 - 43 - 48 - 54 - AS

---


**ARVINMERITOR** 928 323 140


**FIRESTONE** W02-M58-8027

---

adaptable

**IVECO** ORDER NO: 11205014 / 128016K



**VEHICLE** STRALIS 

**OEM** 500 357 352  
97383886

---

**CHASSIS NO** AS260 S40 / S43 / S48 / S54  
AS440 S40 / S43 / S48 / S54

---

**SACHS** 310821


**FIRESTONE** W02-M58-8023


**MONROE** CB0136

---

adaptable

**IVECO** ORDER NO: 11205016 / 128017K



**VEHICLE** STRALIS 

504 060 241  
97383888

---

**CHASSIS NO** EURO TECH MP: 180E34/440E43 TX / 4500  
STRALIS: 190S27 / S31 / S35 / S40 / S43  
AD190S27 / AD440S35 / AS440S35  
AS440S42 / AT440S42 / AT440S45

---

**SACHS** 311 884


**MONROE** CB0149


**FIRESTONE** W02-M58-8024

---

adaptable

**IVECO** ORDER NO: 11205059 / 128055K



**VEHICLE** STRALIS 

504 080 540  
2997842

---

**CHASSIS NO**

---

**SACHS** 313 055

**MONROE** CB0219

---

adaptable



# IVECO CABIN AIR SPRINGS

IVECO

ORDER NO: 11205098 / 128064K



adaptable

VEHICLE

**STRALIS**



OEM

580 141 3364

CHASSIS NO

SACHS

73 1700 011 722

# MAN CABIN AIR SPRINGS

# MAN

**MAN**

ORDER NO: 11203001 / 203001K



adaptable

<b>VEHICLE</b>	<b>F - 2000</b>	
<b>OEM</b>	81 41722 6048 81 41722 6051	
<b>CHASSIS NO</b>	18.403 T33	Front - Rear
	19.293 T20 (all)	Front - Rear
	19.343 T20 (all)	Front - Rear
	19.344 FLL (4 X 2)	Front
<b>SACHS</b>	105 855	
<b>GOODYEAR</b>	1SA-AS 017	
<b>FIRESTONE</b>	W02-M58-8020	
<b>MONROE</b>	CB0092	

**MAN**

ORDER NO: 11203003 / 204001K



adaptable

<b>VEHICLE</b>	<b>F - 2000</b>	
<b>OEM</b>	81 41722 6049 81 41722 6052	
	19.273 T3 (all)	STEYR 19 S 29 T 03
	19.323 T3 (all)	19 S 34 T 03
	19.293 T3 (all)	35 S 36 T 46
	19.343 T3 (all)	35 S 41 T 46
	19.293 FLL (4x 2) T20	41 S 36 T 46
	19.344 FLL (4x 2) T20	41 S 40 T 46
	35.314 VF T26	41 S 41 T 46
	35.364 VF T26	41 S 46 T 46
<b>SACHS</b>	105 856	
<b>GOODYEAR</b>	1SA-AS 016	
<b>FIRESTONE</b>	W02-M58-8021	
<b>MONROE</b>	CB0091	

**MAN**

ORDER NO: 11203005 / 206014K



adaptable

<b>VEHICLE</b>	<b>TGA</b>	
	85 41722 6008 / 85 41722 6014 85 41722 6022 / 81 41722 6077	
<b>CHASSIS NO</b>	TGA ( Front )	
	18.280 LL-FLS-FLLS-FLLS/N	18.530 FLS-FLLS-FLLS/N
	26.310 FDS-FDSL-FDLS/M	26.530 FNLS-FNLLS-FDLS/M
	28.310 FNLC-FNLS	28.530 FNLC-FNLS
	33.360 FDS-FDS-WW-FDLS	33.510 FDS-FDLS/M
	41.480 / 41.660 FVDS-FVDLS	
<b>STEYR</b>	TG-A ( Front )	
	18 S31 - S36 - S41 - S46 - S51	
	26 S31 - S36	
<b>SACHS</b>	135 194 / 135 196 / 313 181	

**MAN**

ORDER NO: 11203007 / 206015K



adaptable

<b>VEHICLE</b>	<b>TGA</b>	
	85 41722 6009 / 85 41722 6015 85 41722 6023 / 81 41722 6078	
<b>CHASSIS NO</b>	TGA ( Front )	
	18.280 LL-FLC-FLLC-FLLC/N	18.510 FLS-FLLS-FLLS/N
	26.310 FDC-FDSC-FDLC/M	26.530 FDC-FDLC-FDC/M
	33.360 FDC-FDC-WW-FDLC/M	33.410 FD-TM-FDK-FDC
<b>STEYR</b>	TG-A ( Front )	
	18 S31 - S36 - S41 - S46 - S51	
	26 S31 - S36	
<b>SACHS</b>	135 195 / 135 197 / 313 182	



# MAN CABIN AIR SPRINGS

MAN

ORDER NO: 11203008 / 206057K



adaptable

<b>VEHICLE</b> <b>TRACTOR</b>	
<b>OEM</b> 81 41722 6057 85 41722 6006 85 41722 6012	
<b>CHASSIS NO</b>	
<b>TGA DX RIGHT ( Rear )</b>	
18.280 LL-FLS-FLLS-FLLS/N	18.530 FLS-FLLS-FLLS/N
26.310 FDS-FDSL-FDLS/M	26.530 FNLS-FNLLS-FDLS/M
28.310 FNLC-FNLS	28.530 FNLC-FNLS
33.350 FDS-FDS-WW-FDLS	33.531 FDLS-FDLRS/M
41.480 / 41.660 FVDS-FVDLS	
<b>STEYR</b>	
TG-A ( Front )	
18 S31 - S36 - S41 - S46 - S51	
26 S31 - S36	
<b>SACHS</b> 135 198	

MAN

ORDER NO: 11203009 / 206058K



adaptable

<b>VEHICLE</b> <b>TRUCK</b>	
<b>OEM</b> 81 41722 6058 / 85 41722 6007 85 41722 6013 / 85 41722 6024 CLAAS 0596 619-1	
<b>CHASSIS NO</b>	
<b>TGA DX RIGHT ( Rear )</b>	
18.280 LL-FLS-FLLS-FLLS/N	18.530 FC-FLC-FLLC-FLLW
26.310 FDC-FDCL-FDLC/M	26.530 FNLS-FNLLS-FDLS/M
28.310 FNLC-FNLS	28.530 FNLC-FNLS
33.350 FDS-FDS-WW-FDLS	33.530 FDC-FDLC-FDC/M
<b>TG - L</b>	
7.150	7.180 FC-FRC-FLR-FLRC
8.180	8.240 FC-FRC-FK-FLRC-FRKC
10.180	10.240 FC-FK-FRC-FRKC
12.180	12.240 FC-FK-FRC-FRKC
<b>STEYR</b>	
TG-A ( Rear )	
18 S31 - S36 - S41 - S46 - S51	
26 S31 - S36	
<b>SACHS</b> 135 199 / 135 200 / 313 184	

MAN

ORDER NO: 11203016 / 206075K



adaptable

<b>VEHICLE</b>	
<b>OEM</b> 81.41722.6075 85.41722.6057	
<b>CHASSIS NO</b>	
<b>TGA</b>	<b>TGX</b>
18.280 / 18.530	18.360 / 18.680
26.310 / 26.530	24.360 / 24.540
28.310 / 28.530	26.320 / 26.540
33.550 / 33.530	33.360 / 33.680
41.480 / 41.660	41.540 / 41.680
<b>TGS</b>	<b>STEYR</b>
18.320 / 18.540	<b>TG-A</b>
24.360 / 24.540	18 S31-S36-S41-S46-S51
26.320 / 26.540	26 S31-S36
28.320 / 28.540	
33.360 / 33.540	
<b>SACHS</b> 313 183	

MAN

ORDER NO: 11203059 / 206084K



adaptable

<b>VEHICLE</b>	
<b>OEM</b> 81.41722.6084	
<b>CHASSIS NO</b>	
<b>TGL</b>	
7.150	
12.250	
<b>TGM</b>	
12.240	
26.340	
<b>TGS - Euro 6</b>	
18.320 / 41.450	
<b>TGX</b>	
18.360 / 41.680	
<b>SACHS</b> 317 427	
<b>SACHS</b> 73 1700 009 781	
<b>SACHS</b> 73 1700 013 252	

# MERCEDES CABIN AIR SPRINGS

## MERCEDES

### MERCEDES

ORDER NO: 11202001 / 205001K



adaptable

VEHICLE **ACTROS 1824 - 1863** 

OEM A 942 890 29 19

CHASSIS NO 1831 S - 1831 LS  
1835 S - 1835 LS  
1840 S - 1840 LS  
1843 S - 1843 LS  
1848 S - 1848 LS  
1853 S - 1853 LS

SACHS 105 392

GOODYEAR 1SA-AS014

FIRESTONE W02-M58-8014

MONROE CB0089

### MERCEDES

ORDER NO: 11202003 / 206001K



adaptable

VEHICLE **ACTROS 1824 - 1863** 

OEM A 942 890 02 19  
A 942 890 60 19  
A 943 890 39 19

CHASSIS NO 1831 - 1860 L/K/S/AK/L/L/L/L/L  
2031 - 2053 A/K/S/AK/AS  
2531 - 2557 L/L/S  
2631 - 2658 B/K/L/S/LK/LS  
3231 - 3335 A/B/K/S/AK/AS  
3340 - 3357 A/B/K/S/AK/AS  
4140 - 4148 A/B/K/AK

SACHS 105 409 / 290 997 / 311 189

GOODYEAR 1SA-AS015

FIRESTONE W02-M58-8015

MONROE CB0090

### MERCEDES

ORDER NO: 11202007 / 207001K



adaptable

VEHICLE **ACTROS 1824 - 1863** 

A 942 890 52 19

CHASSIS NO 1831 S - 1831 LS  
1835 S - 1835 LS  
1840 S - 1840 LS  
1843 S - 1843 LS  
1848 S - 1848 LS  
1853 S - 1853 LS

SACHS 105 408

GOODYEAR 1SA-AS021

FIRESTONE W02-M58-8017

### MERCEDES

ORDER NO: 11202010 / 208001K



adaptable

VEHICLE **ACTROS 1824 - 1863** 

A 942 890 53 19  
A 942 890 59 19  
A 943 890 38 19  
A 662 890 01 19

CHASSIS NO 1831 - 1858 A/K/S/AK/L/L/S  
2031 - 2053 A/K/S/AK/AS  
2531 - 2557 L/L/S  
2631 - 2658 B/K/L/S/LK/LS  
3231 - 3335 A/B/K/S/AK/AS  
3340 - 3357 A/B/K/S/AK/AS  
4140 - 4148 A/B/K/AK

SACHS 105 414 / 290 998 / 311 663

FIRESTONE W02-M58-8018

MONROE CB0115



# MERCEDES CABIN AIR SPRINGS

## MERCEDES

ORDER NO: 11202005 / 206119K



adaptable

<b>VEHICLE</b>	<b>AXOR 1823-2044</b> <b>AXOR 2436-2544</b>
<b>OEM</b>	A 942 890 61 19
<b>CHASSIS NO</b>	ACTROS 1824 - 1863 ACTROS 2024 - 2055 ACTROS 2527 - 2560 ACTROS 2627 - 2665 ACTROS 3231 - 3339 ACTROS 3340 - 3550 ACTROS 4036 - 4844
<b>SACHS</b>	311 664
<b>MONROE</b>	CB0116

## MERCEDES

ORDER NO: 11202006 / 206919K



adaptable

<b>VEHICLE</b>	<b>ACTROS 1824 - 1863</b>
<b>OEM</b>	A 942 890 69 19 A 942 890 01 19
<b>CHASSIS NO</b>	1831 S - 1831 LS 1835 S - 1835 LS 1840 S - 1840 LS 1843 S - LS 1848 S - LS 1853 S - LS
<b>SACHS</b>	313 676

## MERCEDES

ORDER NO: 11202009 / 207019K



adaptable

<b>VEHICLE</b>	<b>ACTROS 1824 - 1863</b>
<b>OEM</b>	A 942 890 70 19
<b>CHASSIS NO</b>	1831 S - 1831 LS 1835 S - 1835 LS 1840 S - 1840 LS 1843 S - LS 1848 S - LS 1853 S - LS
<b>SACHS</b>	313 675

## MERCEDES

ORDER NO: 11202066 / 206147K



adaptable

<b>VEHICLE</b>	<b>ACTROS / ANTOS / AROCS</b>
<b>OEM</b>	A960 310 61 55 A960 310 95 55
<b>CHASSIS NO</b>	ACTROS 2024-2055
<b>SACHS</b>	315 147

## MERCEDES

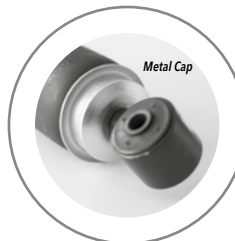
ORDER NO: 11202013 / 209001K



adaptable

**AIRKRAFT DESIGN**

ORDER NO: 11202054 / 212001K



adaptable

**ORIGINAL DESIGN**

**VEHICLE** **AXOR**  
**OEM** A 940 890 49 19

**CHASSIS NO** AXOR 1823-2044  
AXOR 2436-2544  
AXOR 2623-2831  
AXOR 3028-4144

**SACHS** 315 153

**MONROE** CB0236

# MERCEDES CABIN AIR SPRINGS

MERCEDES

ORDER NO: 11202014 / 210001K



adaptable

VEHICLE **AXOR**



OEM

CHASSIS NO

AÇIKLAMA

Yaylı ürünlere muadil körüklü kabin amortisörü

MERCEDES

ORDER NO: 11202012 / 211001K



adaptable

VEHICLE **AXOR**



OEM

CHASSIS NO

AÇIKLAMA

Yaylı ürünlere muadil körüklü kabin amortisörü

MERCEDES

ORDER NO: 11202075 / 209855K



adaptable

VEHICLE **ACTROS 1824/4844**



OEM A9603109855  
9603109855

CHASSIS NO

SACHS 318 412

MERCEDES

ORDER NO: 11202076 / 204355K



adaptable

VEHICLE **ACTROS**



OEM A9613104355  
9613104355

CHASSIS NO

SACHS 731700013078



# RENAULT CABIN AIR SPRINGS

# RENAULT

## RENAULT

ORDER NO: 11204004 / 228908K



**AIRKRAFT DESIGN**

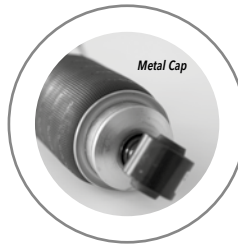


adaptable

ORDER NO: 11204039 / 228909K



**ORIGINAL DESIGN**



adaptable

VEHICLE **KERAX / PREMIUM**

OEM 5010 228 908 A / 5010 228 908  
5010 228 908 B / 5010 228 908 C  
5010 316 783 A / 5010 269 674  
5010 629 398 / 7482087441

CHASSIS NO

SACHS 131 041 / 310 957

GOODYEAR 1SA-AS 013

FIRESTONE W02-M58-8034

CONTITECH SZ36-10

MONROE CB0088

## RENAULT

ORDER NO: 11204002 / 228879K



adaptable

VEHICLE **PREMIUM 440 19T 4x2 ECO HR**

**PREMIUM 450 DXI**

OEM 5010 615 879  
5010 615 879 B  
5010 615 879 C

CHASSIS NO Premium 440 19T 4x2 ECO HR (Rear)  
Premium 450 DXI (Rear)

SACHS 313 072 / 23576537

MONROE CB0171

## RENAULT

ORDER NO: 11224001 / 121051



adaptable

VEHICLE **KERAX 97/06 PREMIUM 00/01**

OEM 5010 130 797 G

CHASSIS NO

MONROE CB0075

GOODYEAR 1AS-007

FIRESTONE W02-M58-8035

CONTITECH SZ50-9

PHOENIX C 075185




# RENAULT CABIN AIR SPRINGS

## RENAULT

ORDER NO: 11224017 / 121414



adaptable


<b>VEHICLE</b>	<b>PREMIUM</b>	
<b>OEM</b>	5010 629 414	
<b>CHASSIS NO</b>		
<b>GOODYEAR</b>	1AS-007	
<b>FIRESTONE</b>	W02-M58-8035	
<b>CONTITECH</b>	SZ50-9 P02	
<b>MONROE</b>	CB0257	

## RENAULT

ORDER NO: 11204003 / 228893K



adaptable


<b>VEHICLE</b>	<b>PREMIUM 2 / MAGNUM DXI</b>	
<b>OEM</b>	5010 552 241 7420898055 7482052893 82052893 20898055 20591650	
<b>CHASSIS NO</b>		
<b>MONROE</b>	CB0118	

## RENAULT

ORDER NO: 11204001 / 228849K



adaptable


<b>VEHICLE</b>	<b>MAGNUM E-TECH</b>	
<b>OEM</b>	5010 228 849	
<b>CHASSIS NO</b>		
<b>MONROE</b>	CB0070	

## RENAULT

ORDER NO: 11224015 / 121086



adaptable


<b>VEHICLE</b>	<b>MAGNUM DXI 12</b>	
<b>OEM</b>	5010 491 301	
<b>CHASSIS NO</b>		
<b>CONTITECH</b>	SK 86-10	
<b>MONROE</b>	CB0135	

## RENAULT

ORDER NO: 11224004 / 121052



adaptable

<b>VEHICLE</b>	<b>MAGNUM</b>	
<b>OEM</b>	5010 320 096 A 5000 791 271	
<b>CHASSIS NO</b>	Magnum AE 96/04 00/05 Magnum E-tech 00/05 02/03 Magnum E-tech 02/03 Front	
<b>MONROE</b>	CB0076	
<b>GOODYEAR</b>	1AS-008	
<b>FIRESTONE</b>	W02-M58-8033	
<b>CONTITECH</b>	816 - Z	
<b>PHOENIX</b>	C 091340	

## RENAULT

ORDER NO: 11204038 / 128240K



adaptable

<b>VEHICLE</b>	<b>T460</b>	
<b>OEM</b>	7421171977 7421821030	
<b>CHASSIS NO</b>		
<b>MONROE</b>	CB0240	



# RENAULT CABIN AIR SPRINGS

**RENAULT**

ORDER NO: 11204035 / 128210K



adaptable

VEHICLE **T460**



OEM 7421170696

CHASSIS NO

MONROE CB0210

**RENAULT**

ORDER NO: 11224014 / 121079



adaptable

VEHICLE **RVI. GAMME G**



OEM 5010 133 079 D

CHASSIS NO

FIRESTONE W02-M58-8032

CONTITECH SZ50-6

**RENAULT**

ORDER NO: 11224006 / 121053



adaptable

VEHICLE **G SERIES G 340 TI**



OEM 5010 092 916 E

CHASSIS NO

MONROE CB0082

GOODYEAR 1AS-010

FIRESTONE W02-M58-8030

CONTITECH SZ50-8

**RENAULT**

ORDER NO: 11224008 / 121054



adaptable

VEHICLE **G SERIES G 340 TI**



OEM 5010 266 845 A

5010 313 619 A

CHASSIS NO

MONROE CB0083

GOODYEAR 1AS-011

FIRESTONE W02-M58-8031

CONTITECH SZ50-10

# SCANIA CABIN AIR SPRINGS

## SCANIA

### SCANIA

ORDER NO: 11221004 / 121101

VEHICLE **SCANIA 3 / CR SERIES** 

OEM 1348121



adaptable

CHASSIS NO CR-SERIE CR13 / CR 19  
3 SERIE 93m/113m/143m/T113/T143H

SACHS 481002

GOODYEAR 1AS-004

FIRESTONE W02-M58-8000

MONROE CB0066

### SCANIA

ORDER NO: 11221007 / 121201

VEHICLE **SCANIA 4 / CR - CP SERIES** 

OEM 1349840



adaptable

CHASSIS NO CR-SERIE CP14 / 19 / 28 / 31  
CR-SERIE CR14 / 19  
4 SERIE 94/114/124/144/164

SACHS 557001

GOODYEAR 1AS-005

FIRESTONE W02-M58-8005

### SCANIA

ORDER NO: 11221011 / 121202

VEHICLE **SCANIA 4 / P-G-R-T SERIES** 

OEM 1476415  
1381919



adaptable

CHASSIS NO 94 / 114 / 124 / 144 / 164

MONROE CB0030

GOODYEAR 1AS-001

FIRESTONE W02-M58-8002

SACHS 314646

### SCANIA

ORDER NO: 11221015 / 121207

VEHICLE **SCANIA 4 / CR - CP SERIES** 

OEM 1424231  
1349840



adaptable

CHASSIS NO CR-SERIE CP14 / 19 / 28 / 31  
CR-SERIE CR14 / 16 / 19  
4 SERIE 94/114/124/144/164

SACHS 310619

GOODYEAR 1AS-005

FIRESTONE W02-M58-8008

MONROE CB0067



# SCANIA CABIN AIR SPRINGS

## SCANIA

ORDER NO:

**121208**

ORDER NO: 11221018



**MONROE TYPE**

suitable for  
shock absorber  
with tube Ø 43,7

adaptable

ORDER NO: 11221025



**SACHS TYPE**

suitable for  
shock absorber  
with tube Ø 44,5

adaptable

VEHICLE **SCANIA 4 / P-G-R-T SERIES**

OEM 1381919  
1390293  
1476415  
1502468

CHASSIS NO 94 / 114 / 124 / 144 / 164

MONROE CB0074  
GOODYEAR 1AS-006  
FIRESTONE W02-M58-8010  
SACHS 314646

## SCANIA

ORDER NO: 11221021 / 121209



adaptable

VEHICLE **SCANIA R - CR SERIES**

OEM 1444016

CHASSIS NO CP-SERIE CP28 / 31  
CR-SERIE CR16 / 19

SACHS 312465  
MONROE CB0130

## SCANIA

ORDER NO: 11201001 / 101169K



adaptable

VEHICLE **SCANIA 3 / CR SERIES**

OEM Air Spring 1348121

Unit without Air Spring (Shock Absorber)

370227 / 393257 / 550365 / 1116535 / 1117320  
1117334 / 1331620 / 1331621 / 1331634 / 1331635  
1348117 / 1348119 / 1348120 / 1177326 / 1331626  
1348118 / 1348211 / 1348477

CHASSIS NO CP-SERIE CP13 / CP19  
CR-SERIE CR13 / CR 19  
3 SERIE 93/113/143/T113H/T143H

SACHS 112230 + 105876 / 105846  
105845 + 105875 / 105831 + 481002

GOODYEAR 1SA-036  
FIRESTONE W02-M58-8001  
MONROE CB0065 + CB0066

## SCANIA

ORDER NO: 11201011 / 201180K



adaptable

VEHICLE **SCANIA 4 / CR - CP SERIES**

OEM Air Spring 1349840

Unit without Air Spring (Shock Absorber)

1424228 / 1363122  
1397396 / 1381904

CHASSIS NO CP-SERIE CP14 / 19 / 28 / 31  
CR-SERIE CR14 / 19  
4 SERIE 94/114/124/144/164

SACHS 290988 / 557001 + 105872  
557001 + 290201 / 290203

GOODYEAR 1SA-031  
FIRESTONE W02-M58-8006

## SCANIA

ORDER NO: 11201013 / 201181K



adaptable

VEHICLE **SCANIA 4 / CR - CP SERIES**

OEM Air Spring 1349840

Unit without Air Spring (Shock Absorber)

1382827 / 1424229 / 1349844

CHASSIS NO CP-SERIE CP14 / 19 / 19F  
CR-SERIE CR14 / 19  
4 SERIE 94/114/124/144/164

SACHS 557001 + 105873  
557001 + 290989

GOODYEAR 1SA-032  
FIRESTONE W02-M58-8007

# SCANIA CABIN AIR SPRINGS

**SCANIA**

**ORDER NO:** 11201016 / 202186K



adaptable

**VEHICLE** **SCANIA 4 SERIES** 

**OEM** **Air Spring**  
1381919 / 1476415

**Unit without Air Spring (Shock Absorber)**  
1381904 / 1397396 / 1397400 / 1435859

**CHASSIS NO** 94 / 114 / 124 / 144 / 164

**MONROE** CB0030 + CB0010 / CB0172

**GOODYEAR** 1SA-006

**FIRESTONE** W02-M58-8003

**SACHS** 314646 + 290201

**SCANIA**

**ORDER NO:** 11201019 / 202187K



adaptable

**VEHICLE** **SCANIA 4 SERIES** 

**OEM** **Air Spring**  
1381919 / 1476415

**Unit without Air Spring (Shock Absorber)**  
1381906 / 1397394 / 1397398  
1402271 / 1435856

**CHASSIS NO** 94 / 114 / 124 / 144 / 164

**MONROE** CB0030 + CB0009 / CB0173

**GOODYEAR** 1SA-005

**FIRESTONE** W02-M58-8004

**SACHS** 314646 + 290202

**SCANIA**

**ORDER NO:** 11201003 / 128001K



adaptable

**VEHICLE** **SCANIA 4 / CR - CP SERIES** 

**OEM** **Air Spring**  
1349840 / 1424231

**Unit without Air Spring (Shock Absorber)**  
1495642 / 1505563

**CHASSIS NO** CP-SERIE CP14 / 19 / 28 / 31  
CR-SERIE CR14 / 16 / 19  
4 SERIE 94 / 114 / 124 / 144 / 164

**MONROE** CB0067 + CB0134

**FIRESTONE** W02-M58-8009

**SACHS** 310619 + 310620

**SCANIA**

**ORDER NO:** 11201009 / 128003K



adaptable

**VEHICLE** **SCANIA R / CR - CP SERIES** 

**OEM** **Air Spring**  
1444016

**Unit without Air Spring (Shock Absorber)**  
1363120 / 1363122 / 1424227 / 1424228

**CHASSIS NO** CP-SERIE CP14 / 19  
CR-SERIE CR14 / 16 / 19  
4 SERIE 94 / 114 / 124 / 144 / 164

**MONROE** CB0130 + CB0058

**SACHS** 312465 + 290987

312465 + 105871

**SCANIA**

**ORDER NO:** 11201010 / 128004K



adaptable

**VEHICLE** **SCANIA R / CR - CP SERIES** 

**OEM** **Air Spring**  
1444016

**Unit without Air Spring (Shock Absorber)**  
1495642 / 1505563

**CHASSIS NO** CP-SERIE CP14 / 19  
CR-SERIE CR14 / 16 / 19  
4 SERIE 94 / 114 / 124 / 144 / 164

**MONROE** CB0130 + CB0134

**SACHS** 312465 + 310620

**SCANIA**

**ORDER NO:** 11201025 / 128005K



adaptable

**VEHICLE** **SCANIA 4 / CR - CP SERIES** 

**OEM** **Air Spring**  
1349840 / 1424231

**Unit without Air Spring (Shock Absorber)**  
1363120 / 1363122 / 1424227 / 1424228

**CHASSIS NO** CP-SERIE CP14 / 19 / 28 / 31  
CR-SERIE CR14 / 16 / 19  
4 SERIE 94 / 114 / 124 / 144 / 164

**MONROE** CB0067 + CB0058

**SACHS** 310619 + 290987



# SCANIA CABIN AIR SPRINGS

**SCANIA** ORDER NO: 11201080 / 128006K

**VEHICLE** SCANIA 4 SERIES 

**OEM** 1502462

CHASSIS NO

**MONROE** CB0245

adaptable

**SCANIA** ORDER NO: 11201062 / 128645K

**VEHICLE** SCANIA 5 SERIES (from 2006) 

**OEM** 1923645  
1870615

CHASSIS NO

**MONROE** CB0196

adaptable

**SCANIA** ORDER NO: 11206044 / 128184K

**VEHICLE**

**OEM** 1908097

CHASSIS NO

**MONROE** CB0184

adaptable

**SCANIA** ORDER NO: 11221060 / 121194

**VEHICLE** SCANIA P - G - R - T SERIES 

1907301

CHASSIS NO

**MONROE** CB0183

adaptable

**SCANIA** ORDER NO: 11206045 / 128194K

**VEHICLE** SCANIA P - G - R - T SERIES 

**Air Spring**  
1907301

**Unit with Air Spring**  
1873668


**Unit without Air Spring (Shock Absorber)**  
1910106

CHASSIS NO

**MONROE** CB0183+CB0182 / CB0194

adaptable

**SCANIA** ORDER NO: 11201087 / 128007K

**VEHICLE** SCANIA 4 / P-G-R-T SERIES 

**OEM** **Air Spring**  
1381919 / 1476415

**Unit without Air Spring (Shock Absorber)**  
1397386 / 1397388 / 1397390 / 1397392  
1431745 / 1431746 / 1431747 / 1431748

CHASSIS NO 94 / 114 / 124 / 144 / 164


**MONROE** CB0030 + CB0011

**SACHS** 314646 + 290987

adaptable

# SCANIA CABIN AIR SPRINGS

**SCANIA** ORDER NO: 11201088 / 128008K

**VEHICLE** SCANIA 4 / P-G-R-T SERIES 

**OEM** Air Spring  
1349840 / 1424231

Unit without Air Spring (Shock Absorber)  
1349844 / 1382826  
1382827 / 1382829 / 1424229


---

**CHASSIS NO** 94 / 114 / 124 / 144 / 164

---


**MONROE** CB0067 + CB0059  
**SACHS** 557001 / 310619 + 290989

---



adaptable

**SCANIA** ORDER NO: 11201089 / 128009K

**VEHICLE** SCANIA 4 / P-G-R-T SERIES 

**OEM** Air Spring  
1502468

Unit without Air Spring (Shock Absorber)  
1502470 / 1502471 / 1502474


---

**CHASSIS NO** 94 / 114 / 124 / 144 / 164

---


**MONROE** CB0074 + CB0078  
**SACHS** 314646 + 310620

---



adaptable

**SCANIA** ORDER NO: 11201090 / 128195K

**VEHICLE** SCANIA 4 SERIES 

**OEM** Air Spring  
1502468

Unit with Air Spring  
1870893

Unit without Air Spring (Shock Absorber)  
1502472 / 1871658


---

**CHASSIS NO** 94 / 114 / 124 / 144 / 164

---


**MONROE** CB0074 + CB0079 / CB0195  
**SACHS** 314646 + 310620

---



adaptable

**SCANIA** ORDER NO: 11201091 / 128000K

**VEHICLE** SCANIA 4 / P-G-R-T SERIES 

**OEM** Air Spring  
1444016

Unit without Air Spring (Shock Absorber)  
1349844 / 1382826 / 1382827  
1382829 / 1424229


---

**CHASSIS NO** 94 / 114 / 124 / 144 / 164

---

**MONROE** CB0130 + CB0059  
**SACHS** 312465 + 290989

---



adaptable

**SCANIA** ORDER NO: 11205099 / 210045K

**VEHICLE** SCANIA 6 / P-G-R SERIES 

**OEM** 2621045

---

**CHASSIS NO** 94 / 114 / 124 / 144 / 164

---



adaptable

**SCANIA** ORDER NO: 11206160 / 128896K

**VEHICLE** SCANIA / P-G-R-T SERIES 

**OEM** 2639896

---

**CHASSIS NO**

---

**SACHS** 73 1700 013 732

---



adaptable



# SCANIA CABIN AIR SPRINGS

SCANIA

ORDER NO: 11206152 / 128894K



adaptable

VEHICLE **SCANIA / P-G-R SERIES**



OEM 2639894

CHASSIS NO

SACHS 73 1700 013 730

SCANIA

ORDER NO: 11205100 / 210046K



adaptable

VEHICLE **SCANIA 6 / P-G-R SERIES**

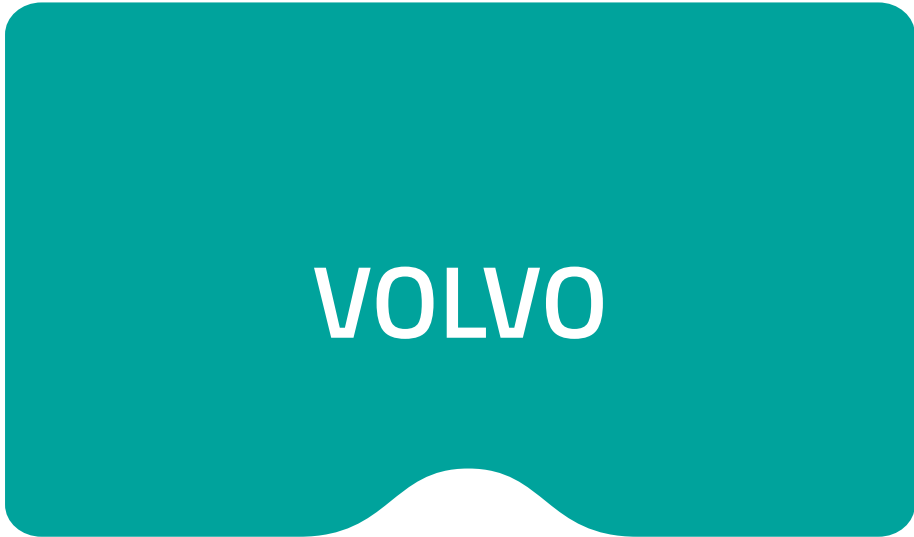


OEM 2621046


CHASSIS NO




# VOLVO CABIN AIR SPRINGS



**VOLVO** ORDER NO: 11206001 / 128020K



**VEHICLE** FH - 12 / FH - 16 

**OEM** 3172984  
1629719  
1629724

CHASSIS NO	FH12 ex L1H1	FH16
	A291152 - A544695	A257343 - B162550
	B216585 - B311773	B162550
	A257343 - B162550	D110198
	C754615 - D100895	A257344 - A291151
	2806854	B162551 - B216584
		D110208
		A291152 - A544695
		B216585 - B311773


**MONROE** CB0003

**FIRESTONE** W02-M58-8036

**GOODYEAR** 1SA-AS 003

adaptable

**VOLVO** ORDER NO: 11206007 / 128022K



**VEHICLE** FH - 12 / FH - 16

**OEM** 1075076  
1075077

CHASSIS NO	FH12 ex L1H1
	C754615
	D100895
	2806854
	<b>FH16</b>
	A257343
	B162550
	D110198





**MONROE** CB0002

**FIRESTONE** W02-M58-8038

**GOODYEAR** 1SA-AS 002

adaptable

**VOLVO**

ORDER NO: 11206004 / 128021K	ORDER NO: 11206061 / 128026K	VEHICLE FH - 12 / FH - 16 																
 <p><b>AIRKRAFT DESIGN</b></p>  <p>Machined top connection and AIRKRAFT type cap</p> <p>adaptable</p>	 <p><b>ORIGINAL DESIGN</b></p>  <p>Die cast top connection</p> <p>adaptable</p>	<p><b>OEM</b> 20427897 / 20721169 / 20889134 / 20775212 / 21651231 / 1076855 / 3172985 / 22144200</p> <table border="1"> <thead> <tr> <th>CHASSIS NO</th> <th>FH12 ex L1H1</th> </tr> </thead> <tbody> <tr> <td></td> <td>A291152 - A544695</td> </tr> <tr> <td></td> <td>B216585 - B311773</td> </tr> <tr> <td></td> <td>A544696</td> </tr> <tr> <td></td> <td>B311774</td> </tr> <tr> <td></td> <td><b>FH16</b></td> </tr> <tr> <td></td> <td>A291152 up to A544695</td> </tr> <tr> <td></td> <td>B216585 up to B311773</td> </tr> </tbody> </table> <p><b>MONROE</b> CB0006</p> <p><b>FIRESTONE</b> W02-M58-8037</p> <p><b>GOODYEAR</b> 1SA-AS 004</p>	CHASSIS NO	FH12 ex L1H1		A291152 - A544695		B216585 - B311773		A544696		B311774		<b>FH16</b>		A291152 up to A544695		B216585 up to B311773
CHASSIS NO	FH12 ex L1H1																	
	A291152 - A544695																	
	B216585 - B311773																	
	A544696																	
	B311774																	
	<b>FH16</b>																	
	A291152 up to A544695																	
	B216585 up to B311773																	



# VOLVO CABIN AIR SPRINGS

**VOLVO** ORDER NO: 11226001 / 121059



**VEHICLE** 


**OEM** 20453256  
20889132  
21111932


**CHASSIS NO** ex L1EH1  
A544696  
B311774  
L1EH1  
A544696  
B311774

**MONROE** CB0055

adaptable

**VOLVO** ORDER NO: 11224017 / 121414



**VEHICLE** 

**OEM** 20906196  
20591506

**CHASSIS NO**

**GOODYEAR** 1AS-007  
**FIRESTONE** W02-M58-8035  
**CONTITECH** SZ50-9 P02  
**MONROE** CB0257

adaptable

**VOLVO**

ORDER NO: 11206010 / 128023K



adaptable

ORDER NO: 11206013 / 128024K



adaptable

**FH - 12 / FH - 16** 

**OEM** 20453256  
20889132  
21111932

**CHASSIS NO** ex L1EH1  
A544696  
B311774  
L1EH1  
A544696  
B311774

**MONROE** CB0055 + CB0039 / CB0214

**VOLVO** ORDER NO: 11206060 / 128025K



**VEHICLE** **FH12/FH16/FM9/FM12** 

1076855 / 20721167  
20889138 / 21032337  
21651229 / 3172985  
3198850

**CHASSIS NO**

**MONROE** CB0001

adaptable

**VOLVO** ORDER NO: 11206066 / 128027K



**VEHICLE** **FH - 2 420 / 540** 

21170611  
22040662

**CHASSIS NO**

**MONROE** CB0207

adaptable

# VOLVO CABIN AIR SPRINGS

**VOLVO** ORDER NO: 11206067 / 128028K

**VEHICLE** **FH - 2 420 / 540** 

**OEM** 21171976  
22040666

CHASSIS NO

**MONROE** CB0213

adaptable

**VOLVO** ORDER NO: 11206062 / 128029K

**VEHICLE** **FM 330 / FM 500** 

**OEM** 21880100

CHASSIS NO

**MONROE** CB0215

adaptable

**VOLVO** ORDER NO: 11204035 / 128210K

**VEHICLE** **FM 330 / FM 500** 

**OEM** 21430900

CHASSIS NO

**MONROE** CB0210

adaptable

**VOLVO** ORDER NO: 11206059 / 128212K

**VEHICLE** **FM 12 / FM 9** 

**OEM** 20453258  
20889136  
2111942  
3198837

CHASSIS NO

**MONROE** CB0102 + CB0039 / CB0212

adaptable

**VOLVO** ORDER NO: 11204003 / 228893K

**VEHICLE** **FE 240 / FE 340** 

82052893  
20591650

CHASSIS NO

**MONROE** CB0118

adaptable

**VOLVO** ORDER NO: 11206071 / 128728K

**VEHICLE** **FL7 / FL10** 

1089728  
1593843  
1594089

CHASSIS NO → 377367  
→ 9044205  
→ 561896

**MONROE** CB0017

adaptable



# VOLVO CABIN AIR SPRINGS

**VOLVO**

ORDER NO: 11206082 / 128909K



adaptable

VEHICLE **FL7 / FL10 / FL12** 

OEM 1089009

CHASSIS NO 377368 →  
561897 →  
904206 →

MONROE CB0018

**VOLVO**

ORDER NO: 11206083 / 128087K



adaptable

VEHICLE **F10 / F12 / F16** 

OEM 1586068  
1622087

CHASSIS NO → 25000  
25001 → 40640  
314000 →  
→ 34000  
34001 → 65820

MONROE CB0016

**VOLVO**

ORDER NO: 11206084 / 128672K



adaptable

VEHICLE **FH12** 

OEM 1099672

CHASSIS NO → A544695  
→ B311773

MONROE CB0019

**VOLVO**

ORDER NO: 11206085 / 128444K



adaptable

VEHICLE **FM7 / 10 / 12** 

OEM 1075444

CHASSIS NO → A544695  
→ B311773

MONROE CB0038

# NORTH AMERICAN CABIN AIR SPRINGS



# NORTH AMERICAN CABIN AIR SPRINGS

ORDER NO: 11229001 / 125005



adaptable

**DESCRIPTION** Link Cab&Seat 1101-0040

**GOODYEAR** 1S5 - 005

ORDER NO: 11229002 / 125010



adaptable

**DESCRIPTION**

**GOODYEAR** 1S5 - 010

**CONTITECH** SC29 - YG01

ORDER NO: 11229003 / 125045



adaptable

**DESCRIPTION** FREIGHTLINER

**GOODYEAR** 1S5 - 045

ORDER NO: 11229038 / 125072



adaptable

**DESCRIPTION** FREIGHTLINER / STERLING  
Sterling Day Cab ; 18-45068-000  
Old Ford # P/N ; F6HT5C06 CAB

**FIRESTONE** W02-358-7201

**CONTITECH** SC29-0201 / S270-5072

# NORTH AMERICAN CABIN AIR SPRINGS

ORDER NO: 11226009 / 125171



adaptable

**DESCRIPTION** VOLVO NH;  
21165207 / 20462622 / 8074629

**GOODYEAR** 1S5 - 171

ORDER NO: 11229037 / 126754



adaptable

**DESCRIPTION** PETERBILT : 20-16754  
Day Cab ( 1994 & Later )  
Dynacraft D5000-2250

**FIRESTONE** W02-358-6754

ORDER NO: 11226010 / 127001



adaptable

**DESCRIPTION** Link Manufacturing 1102-0020 /  
1102-0023  
FORD / FREIGHTLINER / GMC / VOLVO  
NATIONAL SEATING 2123403  
Comfort Ride  
Kenworth T81-1001

**FIRESTONE** W02-358-7001

**CONTITECH** SC29-0001 / SZ70-5067

ORDER NO: 11229004 / 127007



adaptable

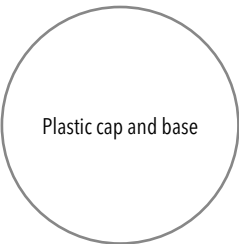
**DESCRIPTION** Mack 227QS34  
Mack Truck 227QS34B

**GOODYEAR** 1S4 - 067

**FIRESTONE** W02-358-7007

127017

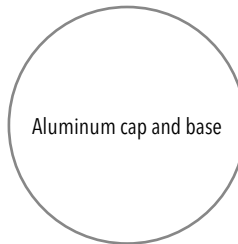
ORDER NO: 11229023



Plastic cap and base

adaptable

ORDER NO: 11229120



Aluminum cap and base

adaptable

**DESCRIPTION** Mack 227QS38  
Mack Truck 227QS38B

**FIRESTONE** W02-358-7017

**GOODYEAR** 1S5-055



# NORTH AMERICAN CABIN AIR SPRINGS

ORDER NO: 11229005 / 127012



adaptable

**DESCRIPTION** Link Manufacturing 1102-0040

**FIRESTONE** W02-358-7012

ORDER NO: 11229047 / 127024



adaptable

**DESCRIPTION** Link Manufacturing 1102-0071

**FIRESTONE** W02-358-7024

ORDER NO: 11229006 / 127031



adaptable

**DESCRIPTION** Mack 227QS33  
Mack Truck 227QS33B  
Link Manufacturing 1101-0020  
FLXIBLE 97-9999-01867

**GOODYEAR** 1S4 - 007

**FIRESTONE** W02-358-7031

ORDER NO: 11229081 / 127032



adaptable

**DESCRIPTION** 3 T'S MOBILE HOME / CARE CONCEPT  
INDEPENDENT MOBILITY

**FIRESTONE** W02-358-7032

## 127036

ORDER NO: 11229007



**AIRKRAFT DESIGN**

Plastic cap and base

adaptable

ORDER NO: 11229128



**ORIGINAL DESIGN**

Aluminum cap and base

adaptable

**DESCRIPTION** PETERBILT 29-03200  
PETERBILT T81-6000

**FIRESTONE** W02-358-7036

**CONTITECH** SC29 - Y036



# NORTH AMERICAN CABIN AIR SPRINGS

ORDER NO: 11229048 / 127044



adaptable

**DESCRIPTION** Link Manufacturing 1102-0070  
AIRFLEX

**FIRESTONE** W02-358-7044

ORDER NO: 11229026 / 127045



adaptable

**DESCRIPTION** Link Manufacturing 1102-0042

**FIRESTONE** W02-358-7045

ORDER NO: 11229008 / 127046



adaptable

**DESCRIPTION** Link Manufacturing 1102-0022  
FORD / FREIGHTLINER / GMC / PETERBILT

**CONTITECH** SC29-0046 / SZ70-5060 P02

**FIRESTONE** W02-358-7046

**GOODYEAR** 1S4-123

ORDER NO: 11229052 / 127049



adaptable

**DESCRIPTION** 3 T'S MOBILE HOME: W02-T03-7049

**FIRESTONE** W02-358-7049

ORDER NO: 11229009 / 127056



adaptable

**DESCRIPTION** Link 1102-0043  
MACK / KENWORTH / FREIGHTLINER

**FIRESTONE** W02-358-7056

**GOODYEAR** 1S4,5-113

ORDER NO: 11229118 / 127060



adaptable

**DESCRIPTION** VOLVO 66003-0004

**GOODYEAR** 1S5-060



# NORTH AMERICAN CABIN AIR SPRINGS

ORDER NO: 11229033 / 127064



adaptable

**DESCRIPTION** Link Manufacturing 1102-0074  
KENWORTH Aerocab / MARMON

**GOODYEAR** 1S5 - 057

**FIRESTONE** W02-358-7064

**CONTITECH** SC29-Y064 / SZ70-8077

ORDER NO: 11229119 / 127071



adaptable

**DESCRIPTION** VOLVO 8169029

**GOODYEAR** 1S5-070

ORDER NO: 11229010 / 127074



adaptable

**DESCRIPTION** Link Manufacturing 1102-0045 /  
1102-0047  
FREIGHTLINER

**FIRESTONE** W02-358-7074

ORDER NO: 11229032 / 127075



adaptable

**DESCRIPTION** Link Manufacturing 1102-0048

**GOODYEAR** 1S5 - 157

**FIRESTONE** W02-358-7075

**CONTITECH** SC29-W075 / SZ70-7077

ORDER NO: 11229029 / 127079



adaptable

**DESCRIPTION** Link Manufacturing 1102-0026  
NAVISTAR

**FIRESTONE** W02-358-7079

ORDER NO: 11229031 / 127080



adaptable

**DESCRIPTION** Link Manufacturing 1102-0031  
FREIGHTLINER

**FIRESTONE** W02-358-7080

**GOODYEAR** 1S4,5-107

# NORTH AMERICAN CABIN AIR SPRINGS

ORDER NO: 11229012 / 127081



adaptable

**DESCRIPTION** Link Cab&Seat 1101-0043  
Link Manufacturing 1102-0076  
NAVISTAR

**GOODYEAR** 1S5-038

**FIRESTONE** W02-358-7081

ORDER NO: 11229024 / 127082



adaptable

**DESCRIPTION** FREIGHTLINER / WESTERN STAR

**CONTITECH** SC29-Y082 / SZ70-8082

**FIRESTONE** W02-358-7082

ORDER NO: 11229028 / 127083



adaptable

**DESCRIPTION** Link Manufacturing 1102-0081  
FREIGHTLINER

**FIRESTONE** W02-358-7083

ORDER NO: 11229030 / 127086



adaptable

**DESCRIPTION** Link Manufacturing 1102-0025  
FORD

**GOODYEAR** 1S4-058

**CONTITECH** SC29-0086 / SZ70-5052

**FIRESTONE** W02-358-7086

ORDER NO: 11229013 / 127087



adaptable

**DESCRIPTION** FREIGHTLINER ( 1988 & later )

**GOODYEAR** 1S5-040

**CONTITECH** SC29-W087

**FIRESTONE** W02-358-7087

ORDER NO: 11229049 / 127092



adaptable

**DESCRIPTION** Link Manufacturing 1102-0083 /  
1102-K083  
KENWORTH

**FIRESTONE** W02-358-7092

**CONTITECH** SC29-B092 / SZ70-9087



# NORTH AMERICAN CABIN AIR SPRINGS

ORDER NO: 11229036 / 127093



adaptable

**DESCRIPTION** PETERBILT : 29-06016  
( Model 387 )

**FIRESTONE** W02-358-7093

ORDER NO: 11229027 / 127098



adaptable

**DESCRIPTION** Link Manufacturing 1102-0027

**FIRESTONE** W02-358-7098

ORDER NO: 11229053 / 127100



adaptable

**DESCRIPTION** 3 T'S MOBILE HOME: W02-T03-7100

**FIRESTONE** W02-358-7100

**CONTITECH** SC29 - 0100 / SZ70-5075 P02

ORDER NO: 11229034 / 127103



adaptable

**DESCRIPTION** 3 T'S MOBILE HOME: W02-T03-7103

**FIRESTONE** W02-358-7103

**CONTITECH** SC29 - W103 / SZ70-7077 P02

ORDER NO: 11229025 / 127106



adaptable

**DESCRIPTION** Link Manufacturing 1102-0030  
PETERBILT

**FIRESTONE** W02-358-7106

ORDER NO: 11229014 / 127108



adaptable

**DESCRIPTION** Link Manufacturing 1102-0075  
MILSCO 07067 A

**GOODYEAR** 1S5 - 057

**FIRESTONE** W02-358-7108

**CONTITECH** SC29-Y108 / SZ70-8077 P02

# NORTH AMERICAN CABIN AIR SPRINGS

ORDER NO: 11229015 / 127109



adaptable

**DESCRIPTION** Link Manufacturing 1102-0077 /  
1102-K077 / T811000  
KENWORTH Aerocab ( mid. 1999 & later)

**FIRESTONE** W02-358-7109

ORDER NO: 11229016 / 127110



adaptable

**DESCRIPTION** Link Manufacturing 1102-0082 (KW)  
KENWORTH T2000 (1998 & Later)  
KENWORTH R81-1002

**FIRESTONE** W02-358-7110

**GOODYEAR** 1S5-152

ORDER NO: 11229050 / 127116



adaptable

**DESCRIPTION** Link Manufacturing 1101-0030

**FIRESTONE** W02-358-7116

ORDER NO: 11229051 / 127149



adaptable

**DESCRIPTION** 3 - T'S ; W02-T03-7149

**FIRESTONE** W02-358-7149

ORDER NO: 11229039 / 127155



adaptable

**DESCRIPTION** PETERBILT : 20-19036  
Dynacraft D5000-2253

**FIRESTONE** W02-358-7155

ORDER NO: 11229085 / 127156



adaptable

**DESCRIPTION** PETERBILT : R81-6002 (Rev.)  
Dynacraft D5000-2253

**FIRESTONE** W02-703-7164



# NORTH AMERICAN CABIN AIR SPRINGS

ORDER NO: 11229040 / 127200



adaptable

**DESCRIPTION** FREIGHTLINER / STERLING  
Sterling Sleeper ; 18-42609-000  
Old Ford # P/N ; F6HT5C063BA

**FIRESTONE** W02-358-7200

**CONTITECH** SC29-B200 / SZ70-9102

ORDER NO: 11229041 / 127204



adaptable

**DESCRIPTION** FREIGHTLINER / STERLING  
Sterling Actera ; 18-43472-000

**FIRESTONE** W02-358-7204

ORDER NO: 11229017 / 127205



adaptable

**DESCRIPTION** FREIGHTLINER

**FIRESTONE** W02-358-7205

**CONTITECH** SC31 - Y205

ORDER NO: 11229018 / 127206



adaptable

**DESCRIPTION** FREIGHTLINER 18-29919-000

**FIRESTONE** W02-358-7206

**CONTITECH** SC31 - W206

ORDER NO: 11229019 / 127207



adaptable

**DESCRIPTION** FREIGHTLINER 18-40977-000

**FIRESTONE** W02-358-7207

**CONTITECH** SC31 - B207

ORDER NO: 11229020 / 127215



adaptable

**DESCRIPTION** FREIGHTLINER 18-40977-000

**FIRESTONE** W02-358-7215

**CONTITECH** SC31 - Y215

# NORTH AMERICAN CABIN AIR SPRINGS

ORDER NO: 11229124 / 127008



adaptable

**DESCRIPTION** Mack Truck 227QS39301  
Link Cab & Seat Springs 1101-0021

**GOODYEAR** 1S4-008

**FIRESTONE** W02-358-7010



# FAR EAST CABIN AIR SPRINGS

**FAW - CNC - DONGFENG**

ORDER NO: 11221084 / 121339



adaptable

**VEHICLE**

**OEM** 5001320CA01-C00/A

**CHASSIS NO**

**SACHS** 315320 / 731700006339

**FAW - CNC - DONGFENG**

ORDER NO: 11201094 / 204339K



adaptable

**VEHICLE**

**OEM** 5001320CA01-C00/A

**CHASSIS NO**

**SACHS** 315320 / 731700006339



# LIFT - AXLE



# LIFT - AXLE



**VOLVO** ORDER NO: 11260002 / 126045

 adaptable	<b>VEHICLE</b> LIFT - AXLE SHORT VERSION
	<b>OEM</b> 20534645
	<b>CHASSIS NO</b>
	<b>CONTITECH</b> SZ130-25 P04

**VOLVO** ORDER NO: 11260003 / 126046

 adaptable	<b>VEHICLE</b> LIFT - AXLE LONG VERSION
	<b>OEM</b> 20534646
	<b>CHASSIS NO</b>
	<b>CONTITECH</b> SZ130-25 P05

**VOLVO** ORDER NO: 11260001 / 126001

 adaptable	<b>VEHICLE</b> LIFT - AXLE
	<b>OEM</b> 1081785 20455245 20494458
	<b>CHASSIS NO</b>
	<b>CONTITECH</b> SK95 - 26

# BELT-TENSIONER AIR SPRINGS



# BELT-TENSIONER AIR SPRINGS

ORDER NO: 11270001 / 127201



adaptable

**OEM** EVO BUS A 000 553 10 10  
KASSBOHRER 4.731.046.000  
TEMSA 62309-9000-11Y

**CONTITECH** SZ35 - 11

ORDER NO: 11270002 / 127202



adaptable

**OEM** VAN HOOL 10635845  
IRISBUS 5.006.153.851

**CONTITECH** SZ50 - 11

ORDER NO: 11270003 / 127203



adaptable

**OEM** IRISBUS 504.309.849

**CONTITECH** SZ70 - 11

ORDER NO: 11271001 / 127115



adaptable

**OEM** SCANIA 486985  
IRISBUS / RVI 5010 455 628 B

**CONTITECH** SZ11 - 5

# DRIVER'S SEAT AIR SPRINGS



# DRIVER'S SEAT AIR SPRINGS

ORDER NO: 11240001 / 125101



OEM

SEAT MANUFACTURER  
PILOT HYA005

CROSS

CONTITECH SZ51 - 7

adaptable

ORDER NO: 11240002 / 125102



OEM

SEAT MANUFACTURER  
ISRINGHAUSEN 3.1396

CROSS

CONTITECH SZ60 - 6 / 864Z

adaptable

ORDER NO: 11240003 / 125103



OEM

SEAT MANUFACTURER  
ISRINGHAUSEN 3.3207

CROSS

CONTITECH SZ62 - 7

adaptable

ORDER NO: 11240004 / 125104



OEM

SEAT MANUFACTURER  
ISRINGHAUSEN 31590-12

CROSS

CONTITECH 865Z / 937N

adaptable

ORDER NO: 11240008 / 125112



OEM DAF 1331728  
IVECO 425383268  
MAN 81 62385 6003  
MAN 81 62385 6033  
MERCEDES 0008000536  
RENAULT 5001836461  
SCANIA 1377520 / 1440529 / 1448573  
VOLVO 3090128 / 3090585

SEAT MANUFACTURER  
ISRINGHAUSEN 38570 / 36879

CROSS

CONTITECH SZ59 - 7

MONROE SD0009

adaptable

ORDER NO: 11240010 / 125121



OEM

SEAT MANUFACTURER-  
C.O.B.O. 2014118

CROSS

CONTITECH SZ51 - 5

adaptable

# DRIVER'S SEAT AIR SPRINGS

ORDER NO: 11240011 / 125122



**OEM**

IVECO	42538426 / 5001857902
MAN	81 62385 6004 8
MERCEDES	0008001236
RENAULT	5001857902
SCANIA	1498864
VOLVO	20443545

**SEAT MANUFACTURER**  
ISRINGHAUSEN 27403-1

**CROSS**

**CONTITECH** SZ82 - 8 LS

**MONROE** SD0008

adaptable

ORDER NO: 11240014 / 125124



**OEM**

**SEAT MANUFACTURER**

**CROSS**

adaptable

ORDER NO: 11240015 / 125125



**OEM**

**SEAT MANUFACTURER**

**CROSS**

**CONTITECH** SZ51 - 10

adaptable

ORDER NO: 11240016 / 125126



**OEM**

**SEAT MANUFACTURER**

**CROSS**

adaptable

ORDER NO: 11240037 / 125128



**OEM**

**SEAT MANUFACTURER**  
PILOT HYA 006

**CROSS**

adaptable

ORDER NO: 11240035 / 125129



**OEM**

**SEAT MANUFACTURER**  
PILOT HYA 008

**CROSS**

adaptable



# DRIVER'S SEAT AIR SPRINGS

ORDER NO: 11240017 / 125130



adaptable

OEM

SEAT MANUFACTURER  
KLEPP

CROSS

CONTITECH SZ51 - 9

ORDER NO: 11240018 / 125131



adaptable

OEM

SEAT MANUFACTURER  
KLEPP

CROSS

CONTITECH SZ50 - 7

ORDER NO: 11240105 / 125137



adaptable

OEM

SEAT MANUFACTURER  
CVG 95-003040-A

ORDER NO: 11240006 / 125214



adaptable

OEM

SEAT MANUFACTURER  
GRAMMER 140214  
1189932  
38010107

CROSS

CONTITECH SZ51 - 6

ORDER NO: 11240039 / 125521



adaptable

OEM

SEAT MANUFACTURER  
KLEPP

CROSS

CONTITECH SZ20-10

ORDER NO: 11240086 / 125523



adaptable

OEM

SEAT MANUFACTURER  
GRAMMER 129998

CROSS

CONTITECH SZ22-11



# DRIVER'S SEAT AIR SPRINGS

ORDER NO: 11240096 / 125826



adaptable

OEM

SEAT MANUFACTURER  
GRAMMER 1109826 / 1189934

CROSS

CONTITECH SZ92 - 6

ORDER NO: 11240084 / 125908



adaptable

OEM

SEAT MANUFACTURER  
GRAMMER 132908 / 1189933

CROSS

CONTITECH 818 Z

ORDER NO: 11240045 / 127029



adaptable

OEM

SEAT MANUFACTURER  
CARE CONCEPT  
INDEPENDENT MOBILITY

CROSS

FIRESTONE W02-358-7029

ORDER NO: 11240081 / 127035



adaptable

OEM

SEAT MANUFACTURER  
SEARS/DURAFORM S9383 / S-20235

CROSS

GOODYEAR 1S4.5 - 121

FIRESTONE W02-358-7035

CONTITECH SC29-W035 / SZ70-7065 P02

ORDER NO: 11240047 / 127037



adaptable

OEM

SEAT MANUFACTURER  
AIRFLEX

CROSS

FIRESTONE W02-358-7037

ORDER NO: 11240024 / 127038



adaptable

OEM

SEAT MANUFACTURER  
DONVEL  
AIRFLEX  
WATSON & CHALIN A 50085

CROSS

FIRESTONE W02-358-7038



# DRIVER'S SEAT AIR SPRINGS

ORDER NO: 11240026 / 127040



adaptable

OEM

SEAT MANUFACTURER  
SEARS/DURAFORM S-5388  
SEATS 707338  
KNOEDLER 9212

CROSS

FIRESTONE W02-358-7040

ORDER NO: 11240080 / 127041



adaptable

OEM

SEAT MANUFACTURER  
SEARS/DURAFORM S8645

CROSS

FIRESTONE W02-358-7041

ORDER NO: 11240044 / 127042



adaptable

OEM

SEAT MANUFACTURER  
COMFORT RIDE

CROSS

FIRESTONE W02-358-7042

ORDER NO: 11240027 / 127043



adaptable

OEM

SEAT MANUFACTURER  
DONVEL

CROSS

FIRESTONE W02-358-7043

ORDER NO: 11240033 / 127054



adaptable

OEM

SEAT MANUFACTURER  
WISE

CROSS

FIRESTONE W02-358-7054

ORDER NO: 11240031 / 127055



adaptable

OEM

SEAT MANUFACTURER  
NATIONAL SEATIN 2112283

CROSS

FIRESTONE W02-358-7055

# DRIVER'S SEAT AIR SPRINGS

ORDER NO: 11240049 / 127058



adaptable

OEM

SEAT MANUFACTURER  
NATIONAL SEATING 324662-01

CROSS

FIRESTONE W02-358-7058

ORDER NO: 11240085 / 127059



adaptable

OEM

SEAT MANUFACTURER  
NATIONAL SEATING 324663-01 / 328035-01 / 329666-01

CROSS

FIRESTONE W02-358-7059

ORDER NO: 11240043 / 127061



adaptable

OEM

SEAT MANUFACTURER  
SEARS/DURAFORM S9383 / S-20235  
C.E. WHITE

CROSS

FIRESTONE W02-358-7061

CONTITECH SC29 - W035 / SZ70-7065 P02

ORDER NO: 11240034 / 127067



adaptable

OEM

SEAT MANUFACTURER  
AIRFLEX W02-A05-7067

CROSS

FIRESTONE W02-358-7067

ORDER NO: 11240042 / 127070



adaptable

OEM

SEAT MANUFACTURER  
NATIONAL SEATING 2123403 / W02N197160

CROSS

FIRESTONE W02-358-7070

ORDER NO: 11240046 / 127073



adaptable

OEM

SEAT MANUFACTURER  
CARE CONCEPT

CROSS

FIRESTONE W02-358-7073



# DRIVER'S SEAT AIR SPRINGS

ORDER NO: 11229080 / 127076



adaptable

OEM

SEAT MANUFACTURER  
RIDE - RITE

CROSS

FIRESTONE W21-760-7076

ORDER NO: 11240048 / 127085



adaptable

OEM

SEAT MANUFACTURER  
AIRFLEX

CROSS

FIRESTONE W02-358-7085

CONTITECH SC29W085

ORDER NO: 11240079 / 127150



adaptable

OEM

SEAT MANUFACTURER  
SEARS/DURAFORM 513384

CROSS

FIRESTONE W02-358-7150

ORDER NO: 11240032 / 127152



adaptable

OEM

SEAT MANUFACTURER  
KNOEDLER 100095 - 000

CROSS

FIRESTONE W02-358-7152

CONTITECH SC29 - B152 / SZ70-9065 P02

CABIN  
AIR SPRINGS

# OEM REFERENCE LIST



## OEM REFERENCES

OEM Reference	Reference	Order No	Page No
<b>3 T'S MOBILE HOME</b>			
W02-T03-7049	127049	11229052	137
W02-T03-7100	127100	11229053	140
W02-T03-7103	127103	11229034	140
W02-T03-7149	127149	11229051	141

<b>AIRFLEX</b>			
W02-A05-7067	127067	11240034	155

<b>C.O.B.O</b>			
2014118	125121	11240010	150

<b>DAF</b>			
1331728	125112	11240008	150
265281	128033K	11207001	108
1285393			
1321590			
1353450			
1353453			
1371065			
1444147			
1622211			
375224			
1265282			
1285394			
1321591			
1353451			
1353454			
1371066			
1623477			
299862			
1792421			
1792423			
1850683	128223K	11207012	109
1931024			
1931026			

<b>Dynacraft</b>			
D5000-2250	126754	11229037	135
D5000-2253	127155	11229039	141
D5000-2253	127156	11229085	141

<b>EVO BUS</b>			
A 000 553 10 10	127201	11270001	148

<b>FAW - CNC - DONGFENG</b>			
5001320CA01-C00/A	204339K	11221084	144

<b>FLXIBLE</b>			
97-9999-01867	127031	11229006	136

OEM Reference	Reference	Order No	Page No
<b>FORD</b>			
F6HT5C06 CAB	125072	11229038	134
F6HT5C063BA	127200	11229040	142
3C46 - 5C062 - AA	121062	11229072	110
DC46-5C063-HA	128060K	11229117	110

<b>FREIGHTLINER</b>			
18-29919-000	127206	11229018	142
18-40977-000	127207	11229019	142
18-40977-000	127215	11229020	142

<b>FREIGHTLINER / STERLING</b>			
18-43472-000	127204	11229041	142
18-45068-000	125072	11229038	134
18-42609-000	127200	11229040	142

<b>GRAMMER</b>			
129998	125523	11240086	152
1109826 / 1189934	125826	11240096	153
132908 / 1189933	125908	11240084	153
140214 / 1189932 / 38010107	125214	11240006	152

<b>IRISBUS</b>			
504309849	127203	11270003	148
5006153851	127202	11270002	148

<b>IRISBUS / RVI</b>			
5010 455 628 B	127115	11271001	148

<b>ISRINGHAUSEN</b>			
31396	125102	11240002	150
33207	125103	11240003	150
27403-1	125122	11240011	151
31590-12	125104	11240004	150
38570 / 36879	125112	11240008	150

<b>IVECO</b>			
425383268	125112	11240008	150
42538426 / 5001857902	125122	11240011	151
410 19 150	121055	11225001	112
816 90 50			
410 15 530			
41028764	128010K	11205001	112
41028763			
500377878			
500348793			
500379698	128012K	11205005	112
500307338			
99438514			
99455937	128012K	11205005	112
500352808			
98472734			

## OEM REFERENCES

OEM Reference	Reference	Order No	Page No
500 340 705	128013K	11205008	113
500 340 706	128014K	11205010	113
504 060 233	128015K	11205012	113
500 357 352	128016K	11205014	113
97383886			
504 060 241	128017K	11205016	113
97383888			
504 080 540	128055K	11205059	113
2997842			
5801413364	128064K	11205098	114

KASSBOHRER			
4731046000	127201	11270001	148

KENWORTH			
T81-1001	127001	11226010	135
T2000 (1998 & Later) / R81-1002	127110	11229016	141

KNOEDLER			
100095 - 000	127152	11240032	156
9212	127040	11240026	154

Link			
1102-0043	127056	11229009	137

Link Cab&Seat			
1101-0040	125005	11229001	134
1101-0043	127081	11229012	139
1101-0021	127012	11229005	136
1101-0021	127008	11229124	143

Link Manufacturing			
1101-0030	127116	11229050	141
1102-0025	127086	11229030	139
1102-0026	127079	11229029	138
1102-0027	127098	11229027	140
1102-0030	127106	11229025	140
1102-0031	127080	11229031	138
1102-0042	127045	11229026	137
1102-0045 / 1102-0047	127074	11229010	138
1102-0048	127075	11229032	138
1102-0070	127044	11229048	137
1102-0071	127024	11229047	136
1102-0074	127064	11229033	138
1102-0081	127083	11229028	139
1102-0076	127081	11229012	139
1102-0020 / 1102-0023	127001	11226010	135
1102-0022	127046	11229008	137
1102-0075	127108	11229014	140

OEM Reference	Reference	Order No	Page No
1102-0077	127109	11229015	141
1102-K077			
T811000			
Link Manufacturing 1102-0082 (KW)	127110	11229016	141
1102-0083 / 1102-K083	127092	11229049	139
1101-0020	127031	11229006	136
1102-0040	127012	11229005	136

Mack			
227QS33	127031	11229006	136
227QS34	127007	11229004	135
227QS38	127017	11229023	135

Mack Truck			
227QS33B	127031	11229006	136
227QS34B	127007	11229004	135
227QS38B	127017	11229023	135
227QS39301	127012	11229005	136
227QS39301	127008	11229124	143

MAN			
81 62385 6003	125112	11240008	150
81 62385 6033			
81 62385 6004 8	125122	11240011	151
81 41722 6048	203001K	11203001	115
81 41722 6051			
81 41722 6049	204001K	11203003	115
81 41722 6052			
85 41722 6008	206014K	11203005	115
85 41722 6014			
85 41722 6022			
81 41722 6077			
85 41722 6009	206015K	11203007	115
85 41722 6015			
85 41722 6023			
81 41722 6078			
81 41722 6057	206057K	11203008	116
85 41722 6006			
85 41722 6012			
81 41722 6058	206058K	11203009	116
85 41722 6007			
85 41722 6013			
85 41722 6024			
CLAAS 0596 619-1	206075K	11203016	116
81.41722.6075			
85.41722.6057			
81.417.226.084	206084K	11203059	116



## OEM REFERENCES

OEM Reference	Reference	Order No	Page No
<b>MERCEDES</b>			
8000536	125112	11240008	150
0008001236	125122	11240011	151
A 942 890 29 19	205001K	11202001	117
A 942 890 02 19	206001K	11202003	117
A 942 890 60 19			
A 943 890 39 19			
A 942 890 52 19	207001K	11202007	117
A 942 890 53 19	208001K	11202010	118
A 942 890 59 19			
A 943 890 38 19			
A 662 890 01 19			
A 942 890 61 19	206119K	11202005	118
A 942 890 69 19	206919K	11202006	118
A 942 890 01 19			
A 942 890 70 19	207019K	11202009	118
A960 310 61 55	2060147K	11202066	118
A960 310 95 55			
A 940 890 49 19	209001K	11202013	118
A 940 890 49 19	212001K	11202054	118
A 961 131 04 355	204355K	11202076	119
961 310 43 55	204355K	11202076	119
A 960 310 98 55	209855K	11202075	119
960 310 98 55	209855K	11202075	119

<b>MILSCO</b>			
07067 A	127108	11229014	140

<b>NATIONAL SEATIN</b>			
2112283	127055	11240031	154
2123403 / W02N197160	127070	11240042	155
324662-01	127058	11240049	155
324663-01	127059	11240085	155
328035-01			
329666-01			
2123403	127001	11226010	135

<b>PETERBILT</b>			
29-03200 / T81-6000	127036	11229007	136
29-06016 ( Model 387 )	127093	11229036	140
20-16754 Day Cab (1994 & Later)	126754	11229037	135
20-19036	127155	11229039	141
R81-6002 (Rev.)	127156	11229085	141

<b>PILOT</b>			
HYA 006	125128	11240037	151
HYA 008	125129	11240035	151
HYA005	125101	11240001	150

OEM Reference	Reference	Order No	Page No
<b>RENAULT</b>			
5001836461	125112	11240008	150
5001857902	125122	11240011	151
5010 228 908 A	228908K	11204004	120
5010 228 908			
5010 228 908 B			
5010 228 908 C			
5010 316 783 A			
5010 269 674			
5010 629 398	228908K	11204004	119
7482087441			
5010 228 908 A	228909K	11204039	120
5010 228 908			
5010 228 908 B			
5010 228 908 C			
5010 316 783 A			
5010 269 674			
5010 629 398			
7482087441			
5010 615 879	228879K	11204002	120
5010 615 879 B			
5010 615 879 C			
5010 130 797 G	121051	11224001	120
5010 629 414	121414	11224017	121
5010 552 241	228893K	11204003	121
5010 552 241			
7420898055			
7482052893			
82052893			
20898055			
20591650			
5010 228 849	228849K	11204001	121
5010 491 301	121086	11224015	121
5010 320 096 A	121052	11224004	121
5000 791 271			
7421171977	128240K	11204038	121
7421821030			
7421170696	128210K	11204035	131
5010 133 079 D	121079	11224014	122
5010 092 916 E	121053	11224006	122
5010 266 845 A	121054	11224008	122
5010 313 619 A			

<b>SCANIA</b>			
1377520 / 1440529 / 1448573	125112	11240008	150
1498864	125122	11240011	151
486985	127115	11271001	148
1348121	121101	11221004	123
1349840	121201	11221007	123
1476415	121202	11221011	123
1381919			
1424231	121207	11221015	122
1349840			



## OEM REFERENCES

OEM Reference	Reference	Order No	Page No
1381919	121208	11221018 11221025	123
1390293			
1476415			
1502468			
1444016	121209	11221021	124
1348121	101169K	11201001	124
370227	101169K	11201001	124
393257			
550365			
1116535			
1117320			
1117334			
1331620			
1331621			
1331634			
1331635			
1348117			
1348119			
1348120			
1177326			
1331626			
1348118			
1348211			
1348477			
1349840	201180K	11201011	124
1424228	201180K	11201011	124
1363122			
1397396			
1381904	201181K	11201013	124
1349840			
1382827 / 1424229 / 1349844	201181K	11201013	124
1381919 / 1476415	202186K	11201016	125
1381904	202186K	11201016	125
1397396			
1397400			
1435859	202187K	11201019	125
1381919 / 1476415			
1381906	202187K	11201019	125
1397394			
1397398			
1402271			
1435856	128001K	11201003	125
1349840			
1424231			
1495642			
1505563	128003K	11201009	125
1444016			
1363120			
1363122			
1424227			
1424228			

OEM Reference	Reference	Order No	Page No
1444016	128004K	11201010	125
1495642			
1505563			
1349840	128005K	11201025	125
1424231			
1363120			
1363122			
1424227			
1424228			
1502462	128006K	11201080	126
1923645	128645K	11201062	126
1870615			
1908097	128184K	11206044	126
1907301	121194	11221060	126
1907301	128194K	11206045	126
1873668	128194K	11206045	126
1910106	128194K	11206045	126
1381919	128007K	11201087	126
1476415			
1397386			
1397388			
1397390			
1397392			
1431745			
1431746			
1431747			
1431748			
1349840	128008K	11201088	127
1424231			
1349844			
1382826			
1382827			
1382829	128009K	11201089	127
1424229			
1502468			
1502470			
1502471	128195K	11201090	127
1502474			
1502468			
1870893	128000K	11201091	127
1502472			
1871658			
1444016			
1349844			
1382826	128894K	11206152	128
1382827			
1382829			
1424229			
2639894	128896K	11206160	127
2639896	210046K	11205100	128
2621046	210045K	11205099	127
2621045			



## OEM REFERENCES

OEM Reference	Reference	Order No	Page No
<b>SEARS/DURAFORM</b>			
S13384	127150	11240079	156
S8645	127041	11240080	154
S9383 / S-20235	127035	11240081	153
S9383 / S-20235	127061	11240043	155
S-5388	127040	11240026	154

<b>SEATS</b>			
707338	127040	11240026	154

<b>TEMSA</b>			
62309-9000-11Y	127201	11270001	148

<b>VAN HOOL</b>			
10635845	127202	11270002	148

<b>VOLVO</b>			
3090128 / 309058	125112	11240008	150
20443545	125122	11240011	151
3172984	128020K	11206001	129
1629719			
1629724			
1075076	128022K	11206007	129
1075077			
20427897	128021K	11206004	129
20721169			
20889134			
20775212			
21651231			
1076855			
3172985			
22144200			
20427897			
20721169			
20889134	128026K	11206061	129
20775212			
21651231			
1076855			
3172985			
22144200	121059	11226001	130
20453256			
20889132			
21111932	121414	11224017	121
20906196			
20591506	128023K	11206010	130
20453256			
20889132			
21111932	128024K	11206013	130
20453256			
20889132			
21111932			

OEM Reference	Reference	Order No	Page No
1076855	128025K	11206060	130
20721167			
20889138			
21032337			
21651229			
3172985			
3198850	128028K	11206067	131
21171976			
22040666			
21880100	128029K	11206062	131
21430900	128210K	11204035	131
20453258	128212K	11206059	131
20889136			
2111942			
3198837			
82052893	228893K	11204003	121
20591650			
1089728	128728K	11206071	131
1593843			
1594089			
1089009	128909K	11206082	132
586068	128087	11206083	132
1622087			
1099672	128672	11206084	132
1075444	128444	11206085	132
20534645	126045	11260002	146
20534646	126046	11260003	146
1081785	126001	11260001	146
20455245			
20494458			
21170611	128027K	11206066	130
22040662			
8169029	127071	11229119	138
21165207	125171	11226009	135
20462622			
8074629			
66003-0004	127060	11229118	137

<b>WATSON &amp; CHALIN</b>			
A 50085	127038	11240024	153

CABIN  
AIR SPRINGS

# CROSS REFERENCE LIST



## CROSS REFERENCES

Cross Reference	Reference	Order No	Page No
<b>ARVINMERITOR</b>			
908 322 985	128013K	11205008	113
908 322 986	128014K	11205010	113
928 323 140	128015K	11205012	113

<b>CF / PIRELLI</b>			
7514206723	121062	11229072	110

<b>CONTITECH</b>			
SZ50-9	121051	11224001	120
816 - Z	121052	11224004	121
SZ50-8	121053	11224006	122
SZ50-10	121054	11224008	122
SZ50-6	121079	11224014	122
SK 86-10	121086	11224015	121
SZ50-9 P02	121414	11224017	121
SZ50-9 P02	121414	11224017	121
SC29 - YG01	125010	11229002	134
SC29-0201 / SZ70-5072	125072	11229038	134
SZ51 - 7	125101	11240001	150
SZ60 - 6 / 864Z	125102	11240002	150
SZ62 - 7	125103	11240003	150
865Z / 937N	125104	11240004	150
SZ59 - 7	125112	11240008	150
SZ51 - 5	125121	11240010	150
SZ82 - 8 LS	125122	11240011	151
SZ51 - 10	125125	11240015	151
SZ51 - 9	125130	11240017	152
SZ50 - 7	125131	11240018	152
SZ51 - 6	125214	11240006	152
SZ20-10	125521	11240039	152
SZ22-11	125523	11240086	152
SZ92 - 6	125826	11240096	153
818 Z	125908	11240084	153
SK95 - 26	126001	11260001	146
SZ130-25 P04	126045	11260002	146
SZ130-25 P05	126046	11260003	146
SC29-0001 / SZ70-5067	127001	11226010	135
SC29-W035 / SZ70-7065 P02	127035	11240081	153
SC29 - Y036	127036	11229007	136

Cross Reference	Reference	Order No	Page No
SC29-0046 / SZ70-5060 P02	127046	11229008	137
SC29 - W035 / SZ70-7065 P02	127061	11240043	155
SC29-Y064 / SZ70-8077	127064	11229033	138
SC29-W075 / SZ70-7077	127075	11229032	138
SC29-Y082 / SZ70-8082	127082	11229024	139
SC29W085	127085	11240048	156
SC29-0086 / SZ70-5052	127086	11229030	139
SC29-W087	127087	11229013	139
SC29-B092 / SZ70-9087	127092	11229049	139
SC29 - O100 / SZ70-5075 P02	127100	11229053	140
SC29 - W103 / SZ70-7077 P02	127103	11229034	140
SC29-Y108 / SZ70-8077 P02	127108	11229014	140
SZ11 - 5	127115	11271001	148
SC29 - B152 / SZ70-9065 P02	127152	11240032	156
SC29-B200 / SZ70-9102	127200	11229040	142
SZ35 - 11	127201	11270001	148
SZ50 - 11	127202	11270002	148
SZ70 - 11	127203	11270003	148
SC31 - Y205	127205	11229017	142
SC31 - W206	127206	11229018	142
SC31 - B207	127207	11229019	142
SC31 - Y215	127215	11229020	142
SZ36-10	228908K	11204004	120
SZ36-10	228909K	11204039	120

<b>FIRESTONE</b>			
W02-M58-8010	121208	11221018 / 11221025	124
W02-M58-8035	121051	11224001	120
W02-M58-8033	121052	11224004	121
W02-M58-8030	121053	11224006	122
W02-M58-8031	121054	11224008	122
W02-M58-8032	121079	11224014	122
W02-M58-8000	121101	11221004	123
W02-M58-8005	121201	11221007	123
W02-M58-8002	121202	11221011	123
W02-M58-8008	121207	11221015	123
W02-M58-8035	121414	11224017	121
W02-M58-8035	121414	11224017	121
W02-358-7201	125072	11229038	134
W02-358-6754	126754	11229037	135

## CROSS REFERENCES

Cross Reference	Reference	Order No	Page No
W02-358-7001	127001	11226010	135
W02-358-7007	127007	11229004	135
W02-358-7012	127012	11229005	136
W02-358-7017	127017	11229120	135
W02-358-7024	127024	11229047	136
W02-358-7029	127029	11240045	153
W02-358-7031	127031	11229006	136
W02-358-7032	127032	11229081	136
W02-358-7035	127035	11240081	153
W02-358-7036	127036	11229007	136
W02-358-7037	127037	11240047	153
W02-358-7038	127038	11240024	153
W02-358-7040	127040	11240026	154
W02-358-7041	127041	11240080	154
W02-358-7042	127042	11240044	154
W02-358-7043	127043	11240027	154
W02-358-7044	127044	11229048	137
W02-358-7045	127045	11229026	137
W02-358-7046	127046	11229008	137
W02-358-7049	127049	11229052	137
W02-358-7054	127054	11240033	154
W02-358-7055	127055	11240031	154
W02-358-7056	127056	11229009	137
W02-358-7058	127058	11240049	155
W02-358-7059	127059	11240085	155
W02-358-7061	127061	11240043	155
W02-358-7064	127064	11229033	138
W02-358-7067	127067	11240034	155
W02-358-7070	127070	11240042	155
W02-358-7073	127073	11240046	155
W02-358-7074	127074	11229010	138
W02-358-7075	127075	11229032	138
W21-760-7076	127076	11229080	156
W02-358-7079	127079	11229029	138
W02-358-7080	127080	11229031	138
W02-358-7081	127081	11229012	139
W02-358-7082	127082	11229024	139
W02-358-7083	127083	11229028	139
W02-358-7085	127085	11240048	156

Cross Reference	Reference	Order No	Page No
W02-358-7086	127086	11229030	139
W02-358-7087	127087	11229013	139
W02-358-7092	127092	11229049	139
W02-358-7093	127093	11229036	140
W02-358-7098	127098	11229027	140
W02-358-7100	127100	11229053	140
W02-358-7103	127103	11229034	140
W02-358-7106	127106	11229025	140
W02-358-7108	127108	11229014	140
W02-358-7109	127109	11229015	141
W02-358-7110	127110	11229016	141
W02-358-7116	127116	11229050	141
W02-358-7149	127149	11229051	141
W02-358-7150	127150	11240079	156
W02-358-7152	127152	11240032	156
W02-358-7155	127155	11229039	141
W02-703-7164	127156	11229085	141
W02-358-7200	127200	11229040	142
W02-358-7204	127204	11229041	142
W02-358-7205	127205	11229017	142
W02-358-7206	127206	11229018	142
W02-358-7207	127207	11229019	142
W02-358-7215	127215	11229020	142
W02-M58-8001	101169K	11201001	124
W02-358-7017	127017-11229023	11229023	135
W02-M58-8009	128001K	11201003	125
W02-M58-8028	128010K	11205001	112
W02-M58-8029	128012K	11205005	112
W02-M58-8025	128013K	11205008	113
W02-M58-8026	128014K	11205010	113
W02-M58-8027	128015K	11205012	113
W02-M58-8023	128016K	11205014	113
W02-M58-8024	128017K	11205016	113
W02-M58-8036	128020K	11206001	129
W02-M58-8037	128021K	11206004	129
W02-M58-8038	128022K	11206007	129
W02-M58-8037	128026K	11206061	129
W02-M58-8006	201180K	11201011	124
W02-M58-8007	201181K	11201013	124



## CROSS REFERENCES

Cross Reference	Reference	Order No	Page No
W02-M58-8003	202186K	11201016	125
W02-M58-8004	202187K	11201019	125
W02-M58-8020	203001K	11203001	115
W02-M58-8021	204001K	11203003	115
W02-M58-8014	205001K	11202001	117
W02-M58-8015	206001K	11202003	117
W02-M58-8017	207001K	11202007	117
W02-M58-8018	208001K	11202010	117
W02-M58-8034	228908K	11204004	120
W02-M58-8034	228909K	11204039	120
W02-358-7010	127008	11229124	143

GOODYEAR			
1AS-006	121208	11221018 / 11221025	124
1AS-007	121051	11224001	120
1AS-008	121052	11224004	121
1AS-010	121053	11224006	122
1AS-011	121054	11224008	122
1AS-009	121055	11225001	112
1AS-004	121101	11221004	123
1AS-005	121201	11221007	123
1AS-001	121202	11221011	123
1AS-005	121207	11221015	123
1AS-007	121414	11224017	121
1AS-007	121414	11224017	121
1S5 - 005	125010	11229002	134
1S5 - 010	125010	11229002	134
1S5 - 045	125045	11229003	134
1S5 - 171	125171	11226009	135
1S4 - 067	127007	11229004	135
1S4 - 008	127012	11229005	136
1S5-055	127017	11229120	135
1S4 - 007	127031	11229006	136
1S4.5 - 121	127035	11240081	153
1S4-123	127046	11229008	137
1S4,5-113	127056	11229009	137
1S5-060	127060	11229118	137
1S5 - 057	127064	11229033	138
1S5-070	127071	11229119	138

Cross Reference	Reference	Order No	Page No
1S5 - 157	127075	11229032	138
1S4,5-107	127080	11229031	138
1S5-038	127081	11229012	139
1S4-058	127086	11229030	139
1S5-040	127087	11229013	139
1S5 - 057	127108	11229014	140
1S5-152	127110	11229016	141
1SA-AS 009	128033	11207001	108
1SA-AS 010	128034	11207002	108
1SA-036	101169K	11201001	124
1S5-055	127017-11229023	11229023	135
1SA-AS 019	128010K	11205001	112
1SA-AS 018	128012K	11205005	112
1SA-AS 003	128020K	11206001	129
1SA-AS 004	128021K	11206004	129
1SA-AS 002	128022K	11206007	129
1SA-AS 004	128026K	11206061	129
1SA-031	201180K	11201011	124
1SA-032	201181K	11201013	124
1SA-006	202186K	11201016	125
1SA-005	202187K	11201019	125
1SA-AS 017	203001K	11203001	115
1SA-AS 016	204001K	11203003	115
1SA-AS014	205001K	11202001	117
1SA-AS015	206001K	11202003	117
1SA-AS021	207001K	11202007	117
1SA-AS 013	228908K	11204004	120
1SA-AS 013	228909K	11204039	120
1S4-008	127008	11229124	143

MONROE			
CB0130	121209	11221021	124
CB0074	121208	11221018 / 11221025	124
CB0075	121051	11224001	120
CB0076	121052	11224004	121
CB0082	121053	11224006	122
CB0083	121054	11224008	122
CB0077 / CB0179	121055	11225001	112
CB0055	121059	11226001	130

## CROSS REFERENCES

Cross Reference	Reference	Order No	Page No
CB0135	121086	11224015	121
CB0066	121101	11221004	123
CB0183	121194	11221060	126
CB0030	121202	11221011	123
CB0067	121207	11221015	123
CB0257	121414	11224017	121
CB0257	121414	11224017	121
SD0009	125112	11240008	150
SD0008	125122	11240011	151
CB0033	128033	11207001	108
CB0034	128034	11207002	108
CB0016	128087	11206083	132
CB0038	128444	11206085	132
CB0019	128672	11206084	132
CB0018	128909	11206082	132
CB0065 + CB0066	101169K	11201001	124
CB0130 + CB0059	128000K	11201091	127
CB0067 + CB0134	128001K	11201003	125
CB0130 + CB0058	128003K	11201009	125
CB0130 + CB0134	128004K	11201010	125
CB0067 + CB0058	128005K	11201025	125
CB0245	128006K	11201080	126
CB0030 + CB0011	128007K	11201087	126
CB0067 + CB0059	128008K	11201088	127
CB0074 + CB0078	128009K	11201089	127
CB0099	128010K	11205001	112
CB0098	128012K	11205005	112
CB0136	128016K	11205014	113
CB0003	128020K	11206001	129
CB0006	128021K	11206004	129
CB0002	128022K	11206007	129
CB0214 / CB0055 + CB0039	128023K	11206010	130
CB0214 / CB0055 + CB0039	128024K	11206013	130
CB0001	128025K	11206060	130
CB0006	128026K	11206061	129
CB0207	128027K	11206066	130
CB0213	128028K	11206067	131
CB0215	128029K	11206062	131

Cross Reference	Reference	Order No	Page No
CB0219	128055K	11205059	113
CB0184	128184K	11206044	126
CB0194	128194K	11206045	126
CB0074 + CB0079 / CB0195	128195K	11201090	127
CB0210	128210K	11204035	122
CB0210	128210K	11204035	122
CB0102 + CB0039 / CB0212	128212K	11206059	131
CB0223	128223K	11207012	109
CB0240	128240K	11204038	121
CB0196	128645K	11201062	126
CB0017	128728K	11206071	131
CB0030 + CB0010 / CB0172	202186K	11201016	125
CB0030 + CB0009 / CB0173	202187K	11201019	125
CB0092	203001K	11203001	115
CB0091	204001K	11203003	115
CB0089	205001K	11202001	117
CB0090	206001K	11202003	117
CB0116	206119K	11202005	118
CB0115	208001K	11202010	117
CB0236	209001K	11202013	118
CB0236	212001K	11202054	118
CB0070	228849K	11204001	121
CB0171	228879K	11204002	120
CB0118	228893K	11204003	121
CB0118	228893K	11204003	121
CB0088	228908K	11204004	120
CB0088	228909K	11204039	120
CB0149	128017K	11205016	113

### PHOENIX

C 075185	121051	11224001	120
C 091340	121052	11224004	121

### PIRELLI

I GC 130 - 30	121055	11225001	112
---------------	--------	----------	-----

### SACHS



## CROSS REFERENCES

Cross Reference	Reference	Order No	Page No
314646	121208	11221018/11221025	124
481002	121101	11221004	123
557001	121201	11221007	123
314646	121202	11221011	123
310619	121207	11221015	123
112230 + 105876 / 105846 105845 + 105875 / 105831 + 481002	101169K	11201001	124
312465 + 290989	128000K	11201091	127
310619 + 310620	128001K	11201003	125
312465 + 290987 312465 + 105871	128003K	11201009	125
312465 + 310620	128004K	11201010	125
310619 + 290987	128005K	11201025	125
314646 + 290987	128007K	11201087	126
557001 / 310619 + 290989	128008K	11201088	127
314646 + 310620	128009K	11201089	127
115 743	128010K	11205001	112
115 731 / 115 902	128012K	11205005	112
310821	128016K	11205014	113
311 884	128017K	11205016	113
313 055	128055K	11205059	113
314646 + 310620	128195K	11201090	127
290988 / 557001 + 105872 557001 + 290201 / 290203	201180K	11201011	124
557001 + 105873 557001 + 290989	201181K	11201013	124
314646 + 290201	202186K	11201016	125
314646 + 290202	202187K	11201019	125
105 855	203001K	11203001	115
105 856	204001K	11203003	115
315320 / 731700006339	121339	11221084	144
105 392	205001K	11202001	117
105 409 / 290 997 / 311 189	206001K	11202003	117
315 147	2060147K	11202066	118
135 194 / 135 196 / 313 181	206014K	11203005	115
135 195 / 135 197 / 313 182	206015K	11203007	115
135 198	206057K	11203008	116
135 199 / 135 200 / 313 184	206058K	11203009	116

Cross Reference	Reference	Order No	Page No
313 183	206075K	11203016	116
311 664	206119K	11202005	118
313 676	206919K	11202006	118
105 408	207001K	11202007	117
313 675	207019K	11202009	118
105 414 / 290 998 / 311 663	208001K	11202010	117
315 153	209001K	11202013	118
315 153	212001K	11202054	118
313 072 / 23576537	228879K	11204002	120
131 041 / 310 957	228908K	11204004	120
131 041 / 310 957	228909K	11204039	120
312 465	121209	11221021	124
731700013078	204355K	11202076	119
318 412	209855K	11202075	119
317 427	206084K	11203059	116
731700009781	206084K	11203059	116
731700013252	206084K	11203059	116
731700011722	128064K	11205098	114
731700013730	128894K	11206152	128
731700013732	128896K	11206160	127



## NOTES

A series of horizontal dotted lines for taking notes.



## NOTES

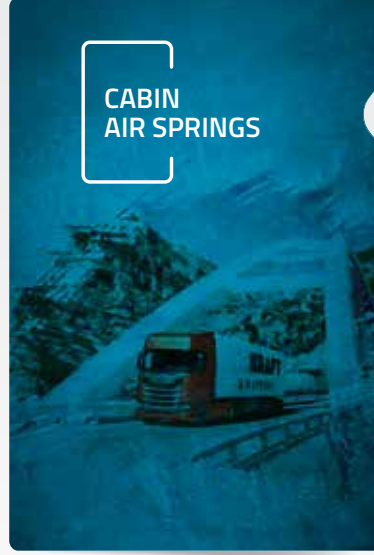
A series of horizontal dotted lines for writing notes.





**AIRKRAFT**  
**AIR SPRINGS**

# CONVOLUTED & SLEEVE TYPE AIR SPRINGS



**AIRKRAFT**  
**AIR SPRINGS**

NOSAB Erguvan Cad. No: 8 Nilüfer, Bursa / Türkiye  
Tel: +90 224 411 09 11 Fax: +90 224 411 09 13  
E-mail: [marketing@airkraft.com.tr](mailto:marketing@airkraft.com.tr)  
[www.airkraft.com.tr](http://www.airkraft.com.tr)